

Contacts	Dimensions		
	A	B	C
4	2.0	4.6	/
6	4.0	6.6	2.0
8	6.0	8.6	4.0
10	8.0	10.6	6.0
12	10.0	12.6	8.0
14	12.0	14.6	10.0
16	14.0	16.6	12.0
18	16.0	18.6	14.0
20	18.0	20.6	16.0
22	20.0	22.6	18.0
24	22.0	24.6	20.0
26	24.0	26.6	22.0
28	26.0	28.6	24.0
30	28.0	30.6	26.0
32	30.0	32.6	28.0
34	32.0	34.6	30.0
36	34.0	36.6	32.0
38	36.0	38.6	34.0
40	38.0	40.6	36.0
42	40.0	42.6	38.0
44	42.0	44.6	40.0
46	44.0	46.6	42.0
48	46.0	48.6	44.0
50	48.0	50.6	46.0
52	50.0	52.6	48.0
54	52.0	54.6	50.0
56	54.0	56.6	52.0
58	56.0	58.6	54.0
60	58.0	60.6	56.0
62	60.0	62.6	58.0
64	62.0	64.6	60.0
66	64.0	66.6	62.0
68	66.0	68.6	64.0
70	68.0	70.6	66.0
72	70.0	72.6	68.0
74	72.0	74.6	70.0
76	74.0	76.6	72.0
78	76.0	78.6	74.0
80	78.0	80.6	76.0

**Recommended PCB Layout**  
Top Entry General Tolerance: ±0.05

**Recommended PCB Layout**  
Bottom Entry General Tolerance: ±0.05

Solder Area

Solder Area

**Specifications**

**Material**

Contact: Phosphor Bronze

Insulator:

Standard: Polyamide, Nylon 6T, UL 94V-0

Options: Polymer, LCP, UL 94V-0

**Plating**

See Ordering Grid

**Electrical**

Current Rating: 2 Amp Per Pin

Insulation Resistance: 1000 MΩ min

Contact Resistance: 20 mΩ max.

Dielectric Withstand Voltage: AC 500 V

**Mechanical & Environmental**

Operating Temperature: -40°C to +105°C

**Soldering Process:**

Nylon 6T (Standard) -

IR Reflow: 260°C for 10 sec.

Wave: 230°C for 5-10 sec.

Manual Solder: 350°C for 3-5 sec

LCP (Option) -

IR Reflow: 260°C for 10 sec.

Wave: 250°C for 5-10 sec.

Manual Solder: 350°C for 3-5 sec

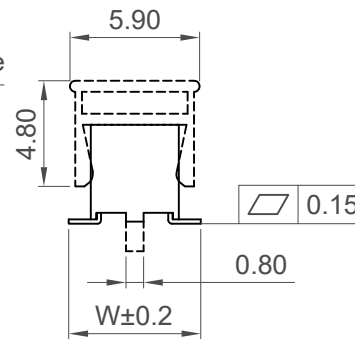
**Mates with (Subject to pin length):**

BF030 BF045 BF050 BF055

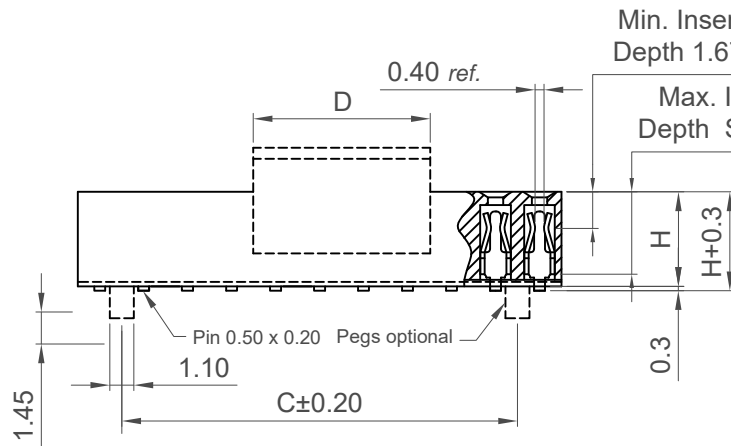
BF060 BF135 BF140 BF145

Min. Insertion Depth 1.67 ref.

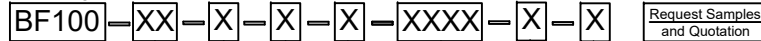
Max. Insertion Depth See Table



Insulator Height H	No. of Contacts	Dimension D	Max. Insertion Depth
4.30	04 ~ 16	4	4.50
	18 ~ 80	8.05	
4.00	04 ~ 16	4	4.30
	18 ~ 80	8.05	



**Ordering Grid**



No. of Contacts  
04 to 80

**Contact Plating**

A = Gold Flash All Over (Standard)

B = Selective Gold Flash Contact Area/  
Tin On Tail

C = Tin All Over

G = 10µ" Gold Contact Area/Tin On Tail

I = 30µ" Gold Contact Area/Tin On Tail

**Insulator Height 'H'**

C = 4.00mm (Standard)

D = 4.30mm

Locating Peg  
0 = No Peg  
1 = With Peg

**Packing Options**

C = Tape and Reel with Film (Standard)

B = Tape and Reel with Cap

D = Tube (available from 6 contacts)

E = Tube with Cap (available from 6 contacts)

F = Tube with Film (available from 6 contacts)

**Insulator Material**

N = Nylon 6T (Standard)

L = LCP

Dimension W - Footprint Width (1/100mm)

'H' = 4.00mm: Standard - 6.25mm = 0625

Alternative - 5.00mm = 0500

'H' = 4.30mm: Standard - 6.40mm = 0640

Alternative - 5.60mm = 0560

- 6.25mm = 0625

Part Number		Product Description	
BF100		2.00mm Pitch Socket, Dual Row, Surface Mount, 4.3mm or 4.6mm Profile, Dual Entry	
Drawing Date		31st October 2007	
By	CC	Tolerances (Except as Noted)	Units:
Detail	BF100 H PCN	Length X ± 0.30 H PCN X.X ± 0.25 Revision H3 X.XX ± 0.15 Date 15/12/21 X.XXX ± 0.10	Metric (mm)
Revision	H3	Angle X° ± 5° X.X° ± 3° X.XX° ± 2° X.XXX° ± 1°	
Date	15/12/21		



This drawing is confidential and copyright of Global Connector Technology, Ltd (GCT). This drawing must not be copied or disclosed without written consent. E & OE



www.gct.co

Not to Scale	Drawn By LYH	Sheet No. 1/1
--------------	--------------	---------------

## X-ON Electronics

Largest Supplier of Electrical and Electronic Components

*Click to view similar products for [Board to Board & Mezzanine Connectors](#) category:*

*Click to view products by [GCT](#) manufacturer:*

Other Similar products are found below :

[589158040000018](#) [MDF7C-18P-2.54DSA\(55\)](#) [FCN-230C068-11](#) [FCN-268F012-G/BD](#) [FCN-268F036-G/BD](#) [FCN-268M012-G/0D](#) [FCN-268M024-G/1D](#) [FCN-723J004/1](#) [MIS-048-01-F-D-DP-K](#) [832-10-034-10-001000](#) [FX4C-80S-1.27DSA](#) [FCN-214Q030-G/0](#) [FCN-234P048-G/0](#) [FCN-235D050-G/C](#) [210-93-314-41-105000](#) [2-22603-0](#) [MDF7-40DP-2.54DSA\(55\)](#) [AXG720047](#) [5031084030](#) [MIT-114-03-F-D-K](#) [55323-1519](#) [DF33-2P-3.3DSA\(24\)](#) [YFT-20-05-H-03-SB-K](#) [503308-3040](#) [026-6203-PDB](#) [027-6203-PDB](#) [069159702701000](#) [10123981-102LF](#) [101A10019X](#) [55650-0588-C](#) [68684-306](#) [75140-7012](#) [589159005003045](#) [063209](#) [194261-1](#) [FCN-268F024-G0D](#) [10124054-515LF](#) [68685-603](#) [8-1616154-3](#) [MIS-019-01-F-D](#) [589159005002045](#) [541371078](#) [IL-WX-10PB-HF-B-E1000E](#) [FCN-268M024-G/3D](#) [20021832-06016C1LF](#) [KX15-20KLDL-E1000E](#) [MDF7-16DP-2.54DSA\(55\)](#) [AXE810124](#) [FCN-214J100-G/0](#) [FCN-230C068-E/S](#)