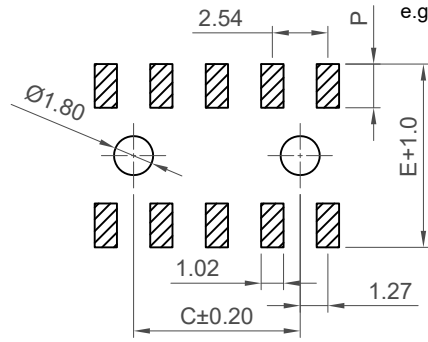
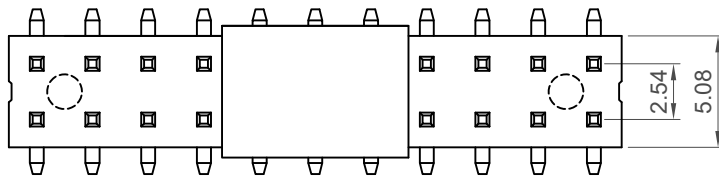
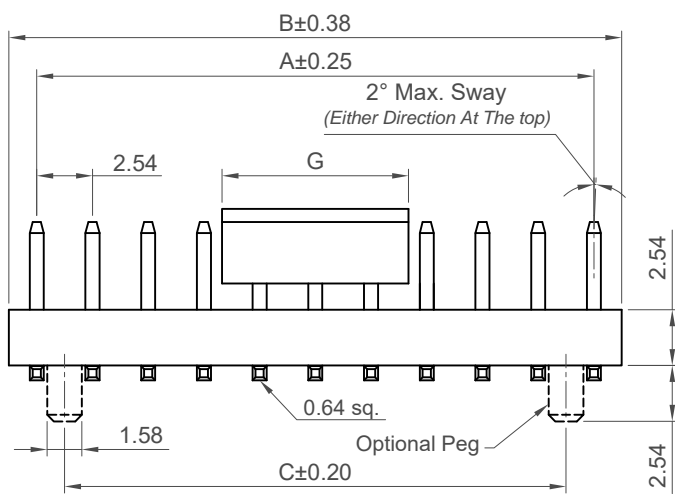
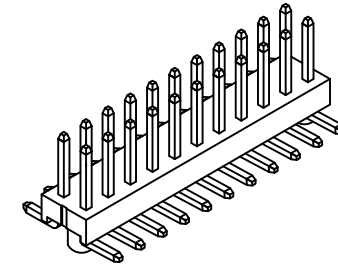


H  
G  
F  
E  
D  
C  
B  
A

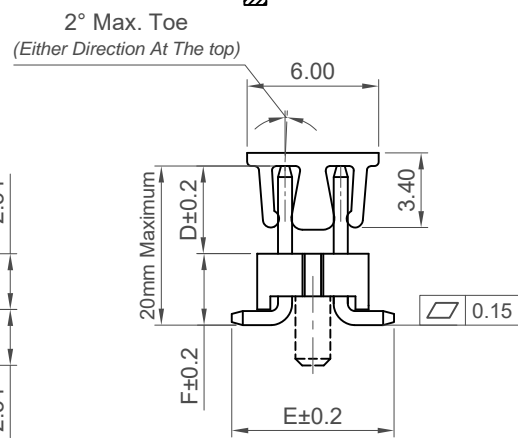


Note:  $P=(E+1-2)/2$   
e.g.:  $E=7.37\text{mm}$ ,  $P=3.185\text{mm}$



**Recommended PCB Layout**

▨ Solder Area



**Specifications**

**Material**  
Insulator:  
Standard: Polymer, LCP, UL94V-0  
Option: Polyamide, Nylon 6T, UL94V-0  
Contact: Copper Alloy

**Plating**  
Contact: See Ordering Grid

**Electrical**  
Current Rating: 3 Amp Per Pin  
Contact Resistance: 20 mΩ max.  
Insulation Resistance: 1000 MΩ min.  
Dielectric Withstand Voltage: 600 V AC

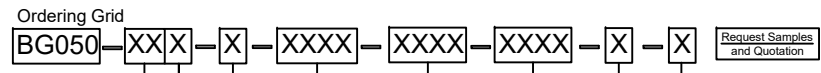
**Mechanical & Environmental**  
Operating Temperature: -40°C to +105°C  
**Soldering Process**  
LCP (Standard)  
IR Reflow: 260°C for 10 sec.  
Wave: 250°C for 5-10 sec.  
Manual Solder: 350°C for 3-5 sec.  
Nylon 6T (Option)  
IR Reflow: 260°C for 10 sec.  
Wave: 230°C for 5-10 sec.  
Manual Solder: 350°C for 3-5sec.

**Mates with (Subject to Pin Length)**

BG120	BG121	BG140	BG150	BG151
BG152	BG160	BG165	BG166	BG170
BG175	BG180	BG185	BG190	BG195
BG200	BG210	BG220	BG225	

BG121 Recommended mating length 3.00mm  
BG166 Recommended mating length 3.00mm

Number of Contacts	Dimensions			
	A	B	C	G
4	2.54	5.08	-	5.00
6	5.08	7.62	2.54	6.00
8	7.62	10.16	5.08	
10	10.16	12.70	7.62	
12	12.70	15.24	10.16	
14	15.24	17.78	12.70	
16	17.78	20.32	15.24	
18	20.32	22.86	17.78	8.50
20	22.86	25.40	20.32	
22	25.40	27.94	22.86	
24	27.94	30.48	25.40	
26	30.48	33.02	27.94	
28	33.02	35.56	30.48	
30	35.56	38.10	33.02	
32	38.10	40.64	35.56	
34	40.64	43.18	38.10	
36	43.18	45.72	40.64	
38	45.72	48.26	43.18	
40	48.26	50.80	45.72	
42	50.80	53.34	48.26	
44	53.34	55.88	50.80	
46	55.88	58.42	53.34	
48	58.42	60.96	55.88	
50	60.96	63.50	58.42	
52	63.50	66.04	60.96	
54	66.04	68.58	63.50	
56	68.58	71.12	66.04	
58	71.12	73.66	68.58	
60	73.66	76.20	71.12	
62	76.20	78.74	73.66	
64	78.74	81.28	76.20	
66	81.28	83.82	78.74	
68	83.82	86.36	81.28	
70	86.36	88.90	83.82	
72	88.90	91.44	86.36	
74	91.44	93.98	88.90	
76	93.98	96.52	91.44	
78	96.52	99.06	93.98	
80	99.06	101.60	96.52	



No. of Contacts  
04 to 80

**Contact Plating**  
A = Gold Flash All Over (Standard)  
B = Selective Gold Flash Contact Area / Tin On Tail  
C = Tin All Over  
G = 10µ" Gold Contact Area/Tin On Tail  
I = 30µ" Gold Contact Area/Tin On Tail

**Locating Peg**  
0 = Without  
1 = With

**Packing Options**  
B = Tape and Reel with Cap (Standard)  
D = Tube  
E = Tube with Cap

**Insulator Material**  
L = LCP (Standard)  
N = Nylon 6T

**Dimension F (1/100mm) (PCB to Top of Insulator)**  
0350 = 3.50mm (Standard)  
Or specify custom length  
eg 0320 = 3.20mm (Minimum)

**Dimension E (1/100mm) (Footprint Width)**  
0737 = 7.37mm (Standard)  
Or specify custom footprint width  
eg 1000 = 10.00mm (minimum 7.37mm)  
(Tooling charge may be apply)

**Dimension D (1/100mm) (Post Height)**  
0300 = 3.00mm (Standard)  
0450 = 4.50mm (Standard)  
0650 = 6.50mm (Standard)  
Or specify custom post height  
eg 0550 = 5.50mm  
(Maximum 1500=15.00mm)  
(Minimum 0100=1.00mm)

Part Number		Product Description	
BG050		2.54mm Pitch Pin Header, Dual Row, Surface Mount, Vertical	
Drawing Date		23rd December 2014	
By	CC	Tolerances (Except as Noted)	Units:
Detail	BG050 E PCN	Length X. ± 0.30 E PCN X.X ± 0.20 Revision E6 Date 30/06/21	Metric (mm)
Revision	E6	Angle X.XX ± 0.15 X.XXX ± 0.10	3rd Angle Projection
Date	30/06/21		



This drawing is confidential and copyright of Global Connector Technology, Ltd (GCT).  
This drawing must not be copied or disclosed without written consent. E & OE



Not to Scale	Drawn By LYH	Sheet No. 1/1
--------------	--------------	---------------

## X-ON Electronics

Largest Supplier of Electrical and Electronic Components

*Click to view similar products for [Board to Board & Mezzanine Connectors](#) category:*

*Click to view products by [GCT](#) manufacturer:*

Other Similar products are found below :

[589158040000018](#) [MDF7C-18P-2.54DSA\(55\)](#) [FCN-230C068-11](#) [FCN-268F012-G/BD](#) [FCN-268F036-G/BD](#) [FCN-268M012-G/0D](#) [FCN-268M024-G/1D](#) [FCN-723J004/1](#) [MIS-048-01-F-D-DP-K](#) [832-10-034-10-001000](#) [FX4C-80S-1.27DSA](#) [FCN-214Q030-G/0](#) [FCN-234P048-G/0](#) [FCN-235D050-G/C](#) [210-93-314-41-105000](#) [2-22603-0](#) [MDF7-40DP-2.54DSA\(55\)](#) [AXG720047](#) [5031084030](#) [MIT-114-03-F-D-K](#) [55323-1519](#) [DF33-2P-3.3DSA\(24\)](#) [YFT-20-05-H-03-SB-K](#) [503308-3040](#) [026-6203-PDB](#) [027-6203-PDB](#) [069159702701000](#) [10123981-102LF](#) [101A10019X](#) [55650-0588-C](#) [68684-306](#) [75140-7012](#) [589159005003045](#) [063209](#) [194261-1](#) [FCN-268F024-G0D](#) [10124054-515LF](#) [68685-603](#) [8-1616154-3](#) [MIS-019-01-F-D](#) [589159005002045](#) [541371078](#) [IL-WX-10PB-HF-B-E1000E](#) [FCN-268M024-G/3D](#) [20021832-06016C1LF](#) [KX15-20KLDL-E1000E](#) [MDF7-16DP-2.54DSA\(55\)](#) [AXE810124](#) [FCN-214J100-G/0](#) [FCN-230C068-E/S](#)