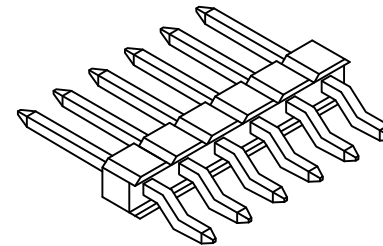


Recommended PCB Layout

General Tolerance: ± 0.05

Solder Area



Specifications

Material

Insulator: Polymer, LCP 30% glass filled, Natural, UL94V-0
Contact: Copper Alloy

Plating

Underplating: 30μ "- 50μ " Nickel all over
Contact Area: See ordering grid

Electrical

Current Rating: 3A per pin
Contact Resistance: 20 m Ω max.
Insulating Resistance: 1000 M Ω min.
Dielectric Withstand Voltage: 500V AC

Mechanical & Environmental

Operating Temperature: -40°C to $+105^{\circ}\text{C}$

Soldering Process:

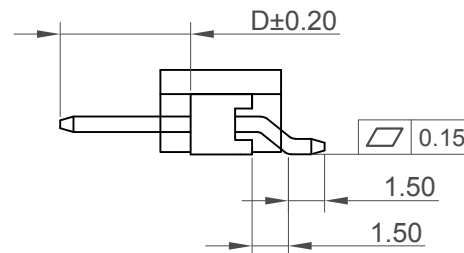
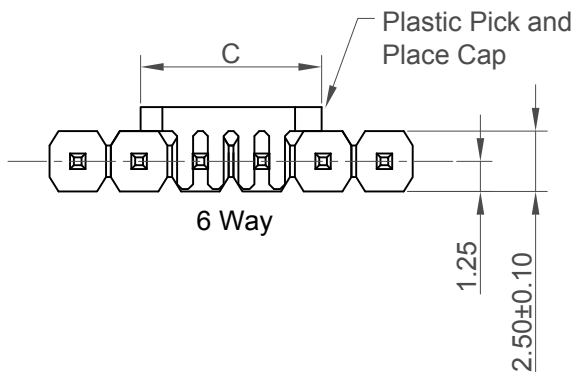
IR Reflow: 260°C for 10 secs
Manual Solder: 350°C for 3-5 secs

Mates with:

BG300 - Horizontal mating - Choose 5.4mm header pin length
BG306 - Perpendicular mating - Choose 4.0mm header pin length - Higher MOQ may apply

NOTES:

Standard black version BG301 is BG080



CONTACTS	DIMENSIONS		
	A	B	C
02	5.08	2.54	5.50
03	7.62	5.08	7.50
04	10.16	7.62	7.50
05	12.70	10.16	7.50
06	15.24	12.70	7.50

Ordering Grid

BG301 - **XX** - **X** - **XXXX** - **L** - **B** Request Samples and Quotation

No. of Contacts: 02 to 06

Contact Plating
A = Gold Flash All Over
B = Selective Gold Flash Contact Area/ Tin On Tail
C = Tin All Over
(Other plating options available on request)

Packing Options
B = Tape and Reel with Cap (MOQ 1,000 pcs on 5.4mm post length) (check with GCT for MOQ on 4.0mm post length)

Insulator Material
L = LCP (Natural)

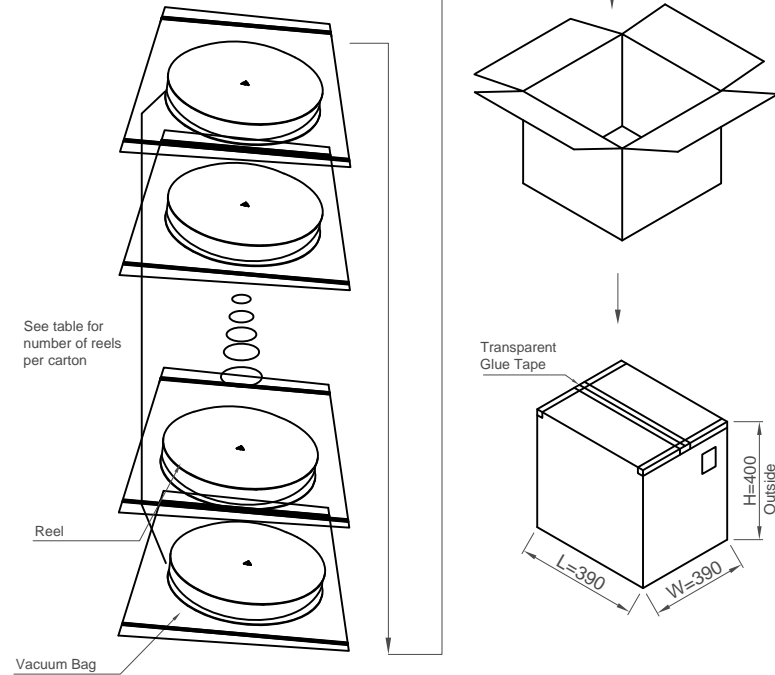
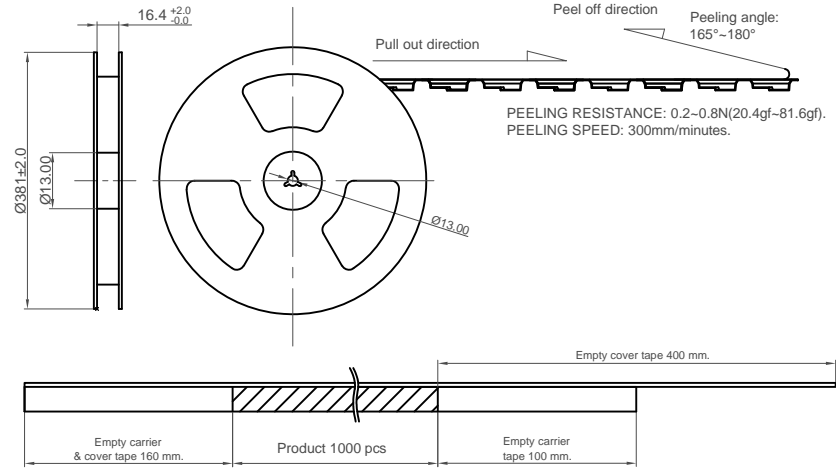
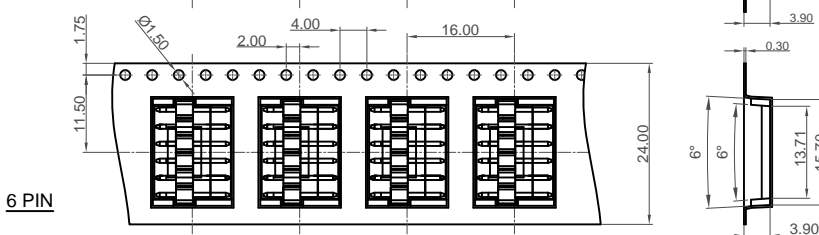
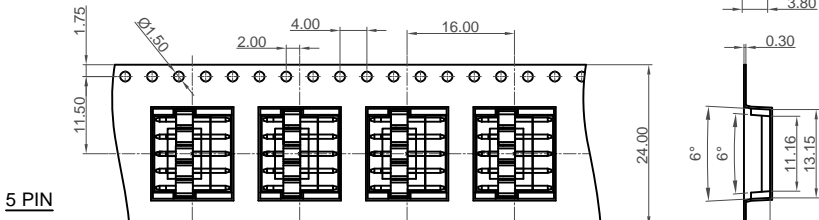
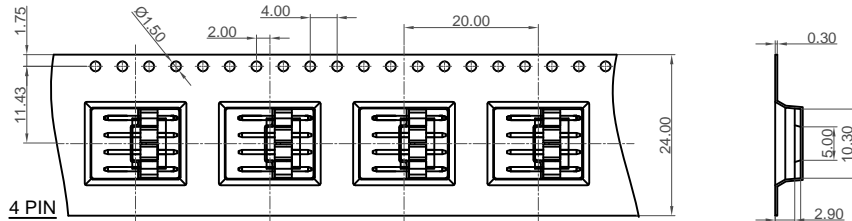
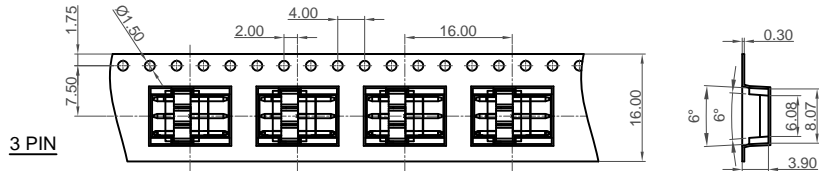
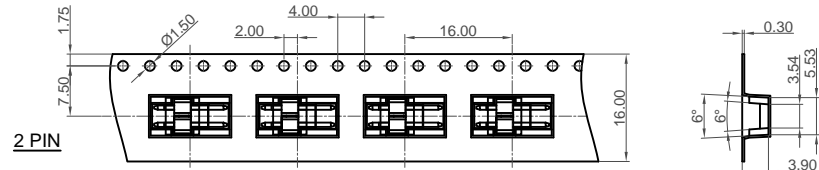
Dimension D - Post Length
0400 = 4.00mm (Standard when mating with BG306)
0540 = 5.40mm (Standard when mating with BG300)
or Specify Custom Post Length
eg 0250 = 2.50mm (Maximum 3000=30.00mm) (Minimum 0100=1.00mm)

Part Number		Product Description	
BG301		2.54mm Pitch Pin Header, Single Row, Surface Mount, Horizontal, without Locating Peg, Natural LCP	
Drawing Date		7th December 2011	
By	CC	Tolerances (Except as Noted)	Units:
Detail	BG301 C PCN	Length Angle	Metric (mm)
Revision	C5	X.X ± 0.30 X.XX ± 0.20	RoHS COMPLIANT 2011/65/EU
Date	24/02/21		3rd Angle Projection
		This drawing is confidential and copyright of Global Connector Technology, Ltd (GCT). This drawing must not be copied or disclosed without written consent. E & OE	
Not to Scale	Drawn By CM	Sheet No. 1/2	



www.gct.co

FOR 5.40mm PIN LENGTH ONLY



PINS	UNITS/REEL	REELS PER CARTON	CARTON	TOTAL CARRIER TAPE LENGTH
2 & 3	1000 PCS	16	16,000	16.5 m
4	1000 PCS	10	10,000	20.7 m
5 & 6	1000 PCS	10	10,000	16.5 m

Part Number		Product Description	
BG301		2.54mm Pitch Pin Header, Single Row, Surface Mount, Horizontal, without Locating Peg, Natural LCP	
Drawing Date		7th December 2011	
By	CC	Tolerances (Except as Noted)	Units:
Detail	BG301 C PCN	Length	Metric (mm)
Revision	C5	Angle	3rd Angle Projection
Date	24/02/21		



This drawing is confidential and copyright of Global Connector Technology, Ltd (GCT). This drawing must not be copied or disclosed without written consent. E & OE



Not to Scale Drawn By CM Sheet No. 2/2

X-ON Electronics

Largest Supplier of Electrical and Electronic Components

Click to view similar products for [Board to Board & Mezzanine Connectors](#) category:

Click to view products by [GCT](#) manufacturer:

Other Similar products are found below :

[589158040000018](#) [MDF7C-18P-2.54DSA\(55\)](#) [FCN-230C068-11](#) [FCN-268F012-G/BD](#) [FCN-268F036-G/BD](#) [FCN-268M012-G/0D](#) [FCN-268M024-G/1D](#) [FCN-723J004/1](#) [MIS-048-01-F-D-DP-K](#) [832-10-034-10-001000](#) [FX4C-80S-1.27DSA](#) [FCN-214Q030-G/0](#) [FCN-234P048-G/0](#) [FCN-235D050-G/C](#) [210-93-314-41-105000](#) [2-22603-0](#) [MDF7-40DP-2.54DSA\(55\)](#) [AXG720047](#) [5031084030](#) [MIT-114-03-F-D-K](#) [55323-1519](#) [DF33-2P-3.3DSA\(24\)](#) [YFT-20-05-H-03-SB-K](#) [503308-3040](#) [026-6203-PDB](#) [027-6203-PDB](#) [069159702701000](#) [10123981-102LF](#) [101A10019X](#) [55650-0588-C](#) [68684-306](#) [75140-7012](#) [589159005003045](#) [063209](#) [194261-1](#) [FCN-268F024-G0D](#) [10124054-515LF](#) [68685-603](#) [8-1616154-3](#) [MIS-019-01-F-D](#) [589159005002045](#) [541371078](#) [IL-WX-10PB-HF-B-E1000E](#) [FCN-268M024-G/3D](#) [20021832-06016C1LF](#) [KX15-20KLDL-E1000E](#) [MDF7-16DP-2.54DSA\(55\)](#) [AXE810124](#) [FCN-214J100-G/0](#) [FCN-230C068-E/S](#)