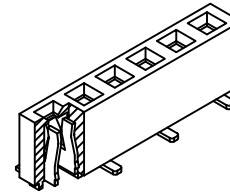
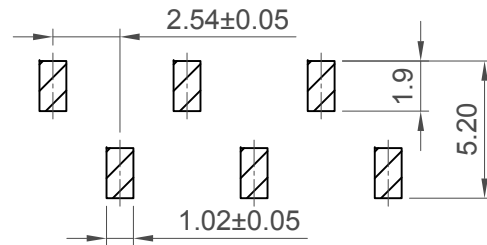
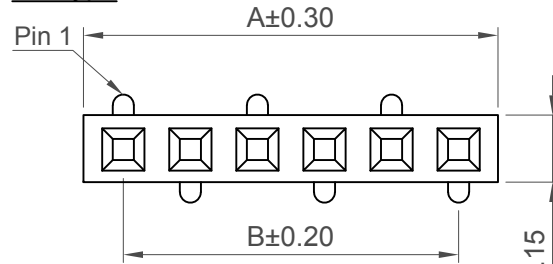


R1 Type



Number of Contacts	Dimensions	
	A	B
2	5.58	2.54
3	8.12	5.08
4	10.66	7.62
5	13.20	10.16
6	15.74	12.70
7	18.28	15.24
8	20.82	17.78

Specifications

Material

Insulator: LCP, 30% GF, UL94V-0, Natural
Contact: Phosphor Bronze

Plating

Underplating: 50µ"-100µ" Nickel all over
Contact Area: See Ordering Grid

Electrical

Current Rating: 3A per pin
Contact Resistance: 20 mΩ max.
Insulating Resistance: 1000 MΩ min.
Dielectric Withstand Voltage: 500V AC

Soldering Process:

IR Reflow: 260°C for 10 sec.
Manual Solder: 350°C for 3-5 sec.

Mechanical & Environmental

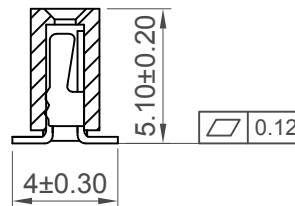
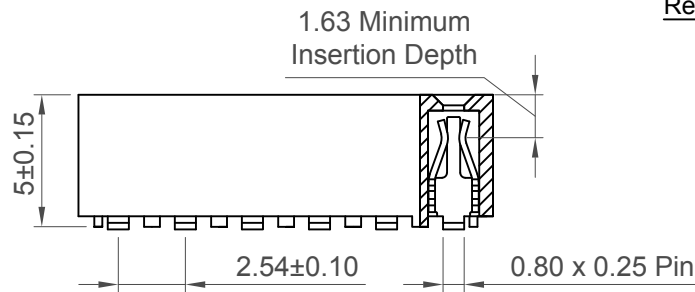
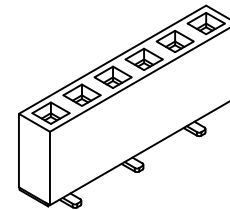
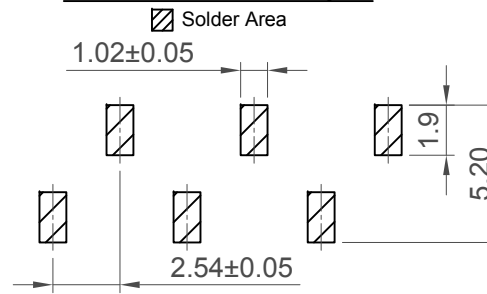
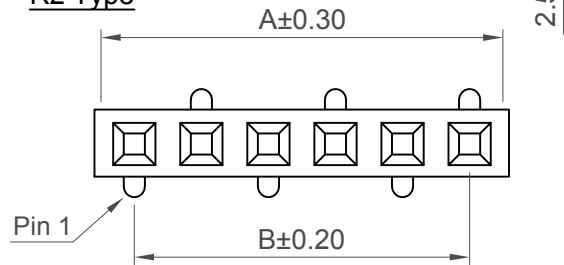
Operating Temperature: -40°C to +105°C

Mates With:

BG301 (4.00mm pin length) BG303
BG304 BG305

Standard black version of BG306 is BG125

R2 Type



Ordering Grid

BG306 - XX - X - X - 0400 - L - X Request Samples and Quotation

No. of Contacts
02 to 08

Contact Plating
A = Gold Flash All Over
(Other plating options available on request)

Type
1 = R1 Type (Standard)
2 = R2 Type

Packing Options

B = Tape & Reel with Cap (available in 3, 4, 5, 6, 7 & 8 contacts)
(MOQ 1,200 pieces - Standard R1 Footprint)
G = Plastic Box (available in 2 contacts)
(MOQ 1,000 pieces - Standard R1 Footprint)

Insulator Material
L = LCP (Natural)

Footprint width (1/100mm)
0400 = 4.00mm

Part Number		Product Description	
BG306		2.54mm Pitch Pin Socket, Single Row	
Drawing Date		Vertical, Top Entry, Surface Mount, Natural LCP	
18th April 2012			
By	CC	Tolerances (Except as Noted)	Units:
Detail	BG306	Length	Metric (mm)
Revision	D PCN	X ± 0.30	
Date	D3	X.X ± 0.20	
	05/06/20		

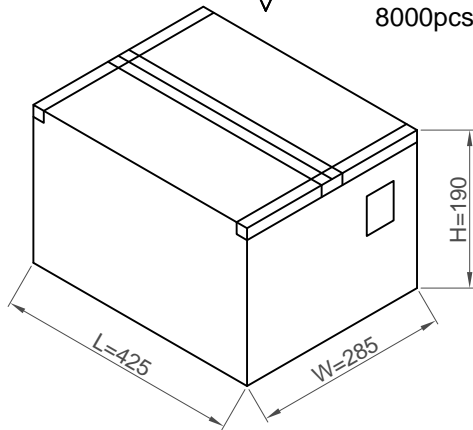
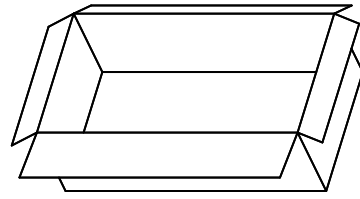
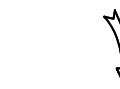
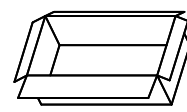
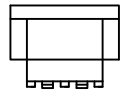


This drawing is confidential and copyright of Global Connector Technology, Ltd (GCT). This drawing must not be copied or disclosed without written consent. E & OE



Not to Scale | Drawn By ASE | Sheet No. 1/3

2 Pin



PE Bag
Dimension : 160 x 105,T=0.01
1000pcs/PE Bag

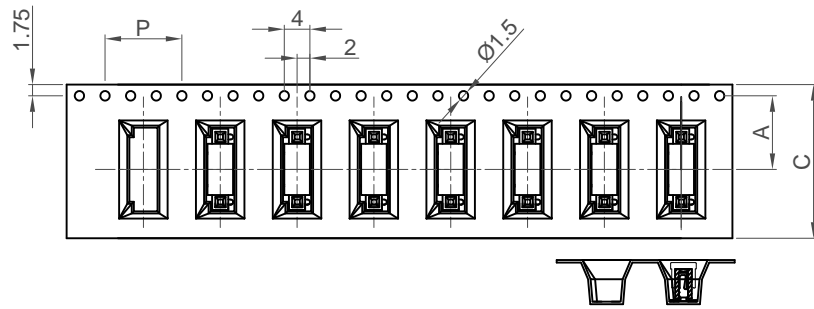
Box
Dimension : 130 x 90 x 60 mm
1000pcs/Box

Carton
Dimension : 425 x 285 x 190 mm
8000pcs/Carton

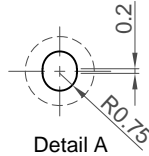
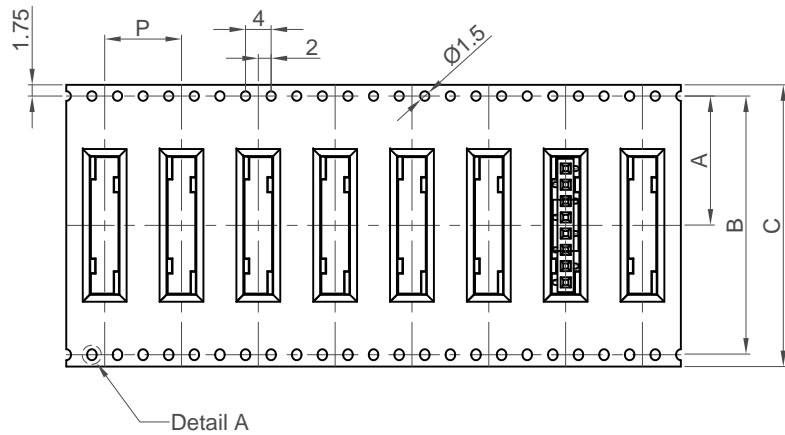
Pins	pcs/PE Bag	pcs/Box	Boxes/Carton	pcs/Carton
2	1000	1000	8	8,000

Part Number BG306		Product Description 2.54mm Pitch Pin Socket, Single Row Vertical, Top Entry, Surface Mount, Natural LCP		 www.gct.co
Drawing Date 18th April 2012				
By CC	Tolerances (Except as Noted)		Units: Metric (mm)	
Detail BG306 D PCN	X. ± 0.30	X.° ± 4°	 This drawing is confidential and copyright of Global Connector Technology, Ltd (GCT). This drawing must not be copied or disclosed without written consent. E & OE	
Revision D3	X.X ± 0.25	X.XX ± 3°		
Date 05/06/20	X.XX ± 0.20	X.XXX ± 1°		
	X.XXX ± 0.15	X.XXX° ± 1°	 3rd Angle Projection	Not to Scale Drawn By ASE Sheet No. 2/3

3,4,5 Pin

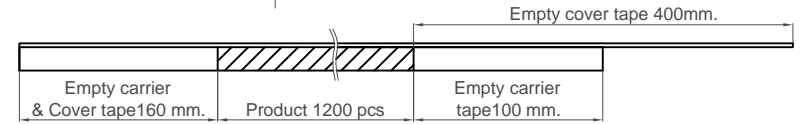
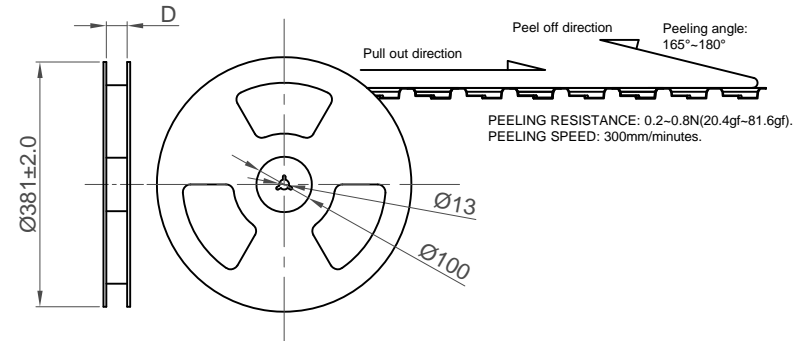


6,7,8 Pin

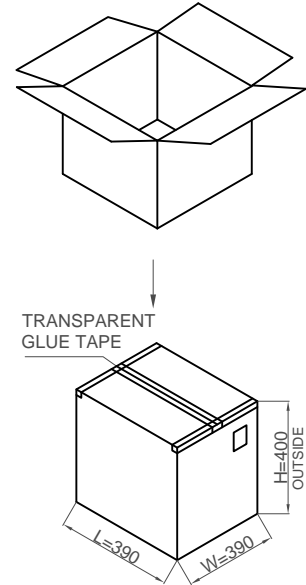
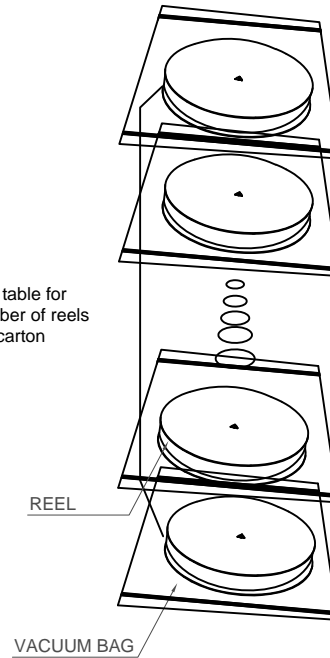


No. of Contacts	Dimensions				
	A	B	C	D	P
3,5	11.5±0.25	/	24±0.30	24 ⁺² ₀	12±0.25
4	11.5±0.25	/	24±0.30	24 ⁺² ₀	8±0.25
6	14.2±0.25	28.4±0.25	32±0.30	32 ⁺² ₀	12±0.25
7	14.2±0.25	28.4±0.25	32±0.30	32 ⁺² ₀	8±0.25
8	20.2±0.25	40.4±0.25	44±0.30	44	12±0.25

Pins	Pieces/Reel	Reels/Carton	Pieces/Carton
3,4,5	1200	10	12,000
6,7	1200	8	9,600
8	1200	6	7,200



See table for number of reels per carton



Part Number BG306		Product Description 2.54mm Pitch Pin Socket, Single Row Vertical, Top Entry, Surface Mount, Natural LCP	
Drawing Date 18th April 2012			
By	CC	Tolerances (Except as Noted)	Units: Metric (mm)
Detail	BG306 D PCN	Length X. ± 0.30 X.X ± 0.25 X.XX ± 0.20 X.XXX ± 0.15	Angle X.° ± 4° X.X° ± 3° X.XX° ± 2° X.XXX° ± 1°
Revision	D3	3rd Angle Projection	
Date	05/06/20		



This drawing is confidential and copyright of Global Connector Technology, Ltd (GCT). This drawing must not be copied or disclosed without written consent. E & OE



Not to Scale	Drawn By ASE	Sheet No. 3/3
--------------	--------------	---------------

X-ON Electronics

Largest Supplier of Electrical and Electronic Components

Click to view similar products for [Board to Board & Mezzanine Connectors](#) category:

Click to view products by [GCT](#) manufacturer:

Other Similar products are found below :

[589158040000018](#) [MDF7C-18P-2.54DSA\(55\)](#) [FCN-230C068-11](#) [FCN-268F012-G/BD](#) [FCN-268F036-G/BD](#) [FCN-268M012-G/0D](#) [FCN-268M024-G/1D](#) [FCN-723J004/1](#) [MIS-048-01-F-D-DP-K](#) [832-10-034-10-001000](#) [FX4C-80S-1.27DSA](#) [FCN-214Q030-G/0](#) [FCN-234P048-G/0](#) [FCN-235D050-G/C](#) [210-93-314-41-105000](#) [2-22603-0](#) [MDF7-40DP-2.54DSA\(55\)](#) [AXG720047](#) [5031084030](#) [MIT-114-03-F-D-K](#) [55323-1519](#) [DF33-2P-3.3DSA\(24\)](#) [YFT-20-05-H-03-SB-K](#) [503308-3040](#) [026-6203-PDB](#) [027-6203-PDB](#) [069159702701000](#) [10123981-102LF](#) [101A10019X](#) [55650-0588-C](#) [68682-310LF](#) [68684-306](#) [75140-7012](#) [87471-650](#) [YTW-30-07-H-Q-410-140](#) [194261-1](#) [FCN-268F024-G0D](#) [10124054-515LF](#) [68685-603](#) [8-1616154-3](#) [MIS-019-01-F-D](#) [FCN-268M024-G/3D](#) [20021832-06016C1LF](#) [KX15-20KLDL-E1000E](#) [MDF7-16DP-2.54DSA\(55\)](#) [AXE810124](#) [FCN-214J100-G/0](#) [FCN-230C068-E/S](#) [AXE812124](#) [AXE816124](#)