

Specifications 规格

Electrical

Current Rating 电流额定值: 3 Amp
 Voltage Rating 电压额定值: 300 V
 Insulation Resistance 绝缘电阻值: 1000 MΩ min.
 Dielectric Withstanding 耐电压: 1700 V AC
 Contact Resistance 接触电阻值: 20 mΩ max.

Material

Insulator Material 绝缘体物料: LCP, UL 94V-0, Natural
 Contact Material 端子物料: Phosphor Bronze
 Solder Tab Material 物料: Brass
 Contact Plating 端子电镀: 70μ" min. Tin over 30μ" min. Nickel
 Solder Tab Plating 焊片电镀: 70μ" min. Tin over 30μ" min. Nickel

Soldering Process 可焊性:

IR Reflow 回流焊: 260°C +0°C/-5°C for 5-10 sec.
 Manual Solder 人工焊接: 350°C for 3 sec.

Environmental

Operating Temperature 工作温度: -55°C to +105°C

Mates with 配套之公头

BJ301

Ordering Grid



No. of Contacts

02

Packing

A = Tape & Reel
(2800 per reel)

Contact Plating

Y = 70μ" Tin

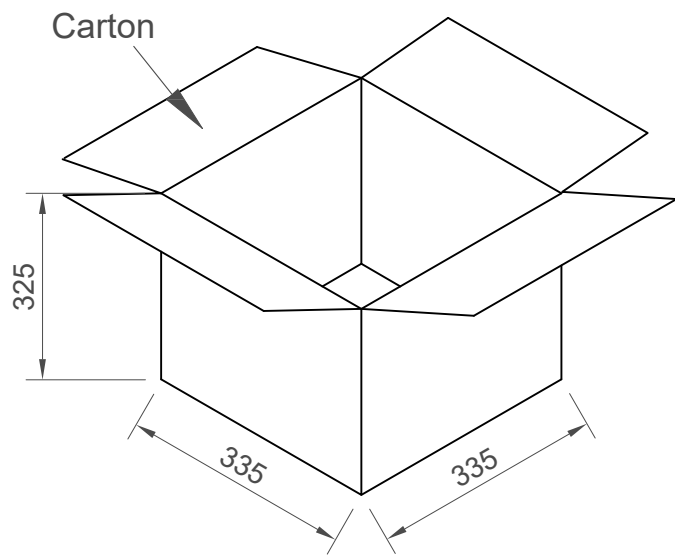
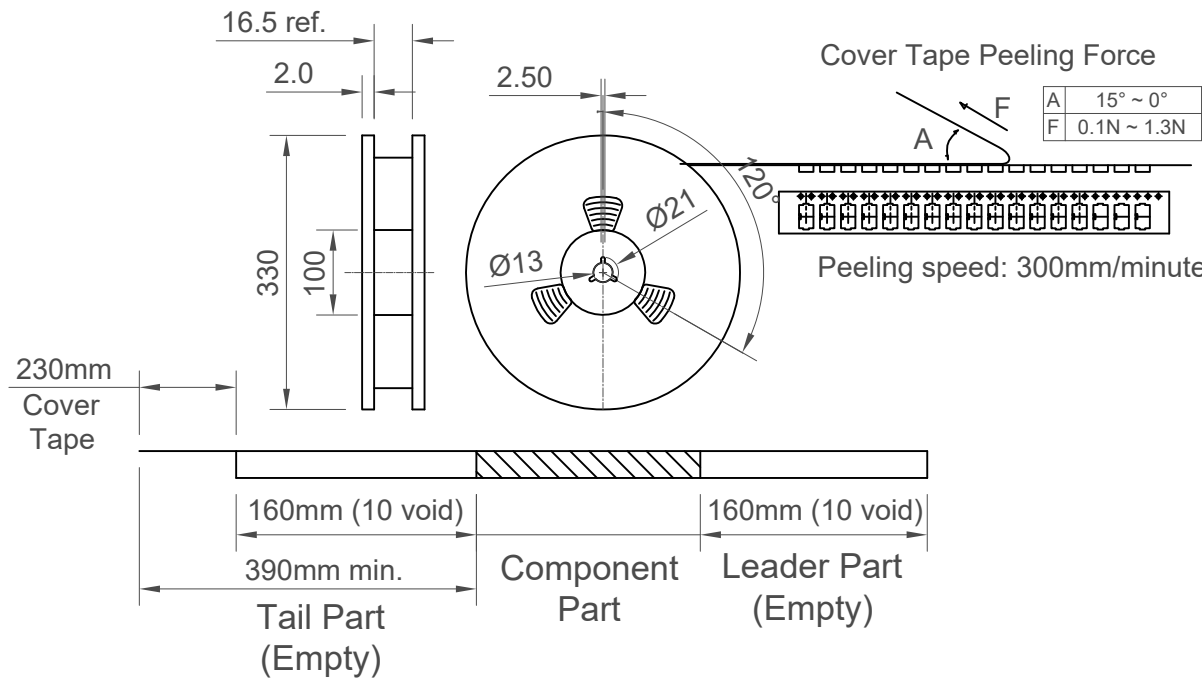
Part Number		Product Description	
BJ300		4.0mm Pitch Socket - Single Row, Surface Mount, Horizontal	
Drawing Date		12th September 2014	
By	CC	Tolerances (Except as Noted)	Units:
Detail	Drawing Release	Length	Metric (mm)
Revision	A3	X.X ± 0.30	3rd Angle Projection
Date	30/11/16	X.XX ± 0.20	
		X.XXX ± 0.10	



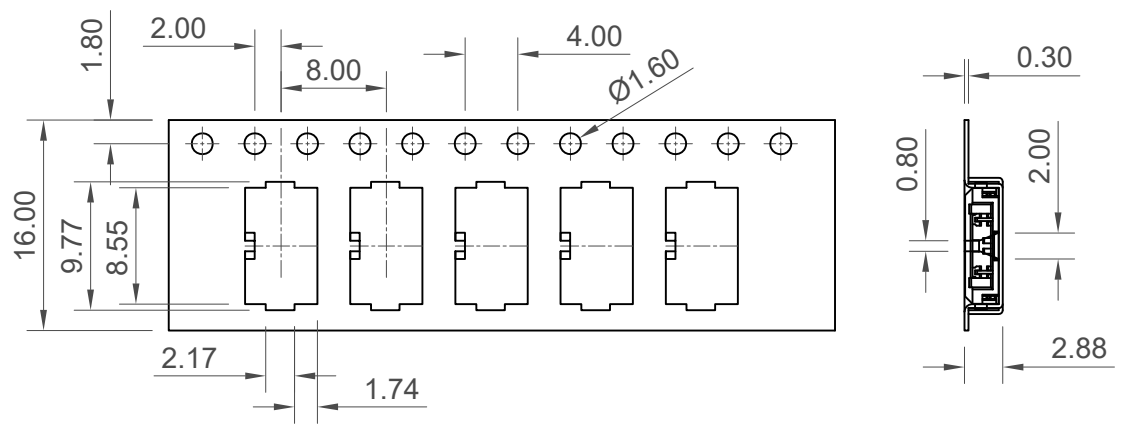
This drawing is confidential and copyright of Global Connector Technology, Ltd (GCT). This drawing must not be copied or disclosed without written consent. E & OE

GCT
www.gct.co

Not to Scale	Drawn By AJO	Sheet No. 1/2
--------------	--------------	---------------



← Input Material Direction Gather Material Direction →



Part Number	Specification	Q'ty
Cover Tape	0.05 x 21.3mm	25m/Reel
Reel	330 x 100 x 20.5mm, Blue	15/box
Bag	900 x 700 x 0.10mm, PE	1/box
Carton	335 x 335 x 325mm	1/box
Label on T&R	90 x 70mm	15/box
Label on Carton	125 x 75mm	1/box
Desiccant	10g	1/Reel

Part Number	Pcs./Reel	Reels/Carton	Pcs./Carton
BJ300	2800	10	28000

Part Number		Product Description	
BJ300		4.0mm Pitch Socket - Single Row, Surface Mount, Horizontal	
Drawing Date		12th September 2014	
By	CC	Tolerances (Except as Noted)	Units:
Detail	Drawing Release	Length	Metric (mm)
Revision	A3	X.X ± 0.30	
Date	30/11/16	X.XX ± 0.20	
		X.XXX ± 0.10	



This drawing is confidential and copyright of Global Connector Technology, Ltd (GCT). This drawing must not be copied or disclosed without written consent. E & OE



Not to Scale	Drawn By AJO	Sheet No. 2/2
--------------	--------------	---------------

X-ON Electronics

Largest Supplier of Electrical and Electronic Components

Click to view similar products for [get manufacturer:](#)

Other Similar products are found below :

[BG302-03-A-L-G](#) [BD021-09A-A1-0350-0200-0550-LD](#) [BG095-10-A-N-D](#) [SIM7200-6-0-18-00-A](#) [BG165-04-A-A-N-H](#) [BC070-06-A-1-L-D](#)
[BG120-10-A-0-N-D](#) [SIM7050-8-0-00-A](#) [BF020-03-A-B-0600-0300-N-G](#) [DCJ250-15-A-K1-C](#) [BG030-06-A-0450-0300-N-G](#) [DCJ065-05-A-K1-A](#) [USB4085-GF-A](#) [BC085-08-A-0390-L-D](#) [BC034-10-A-V-0150-L-D](#) [BG300-06-A-L-A](#) [BG301-02-A-0540-L-B](#) [BG095-07-A-N-D](#)
[BG040-06-A-0450-0300-N-G](#) [BG030-04-A-0450-0300-N-G](#) [USB3105-30-A](#) [BD020-10-A-J-0350-0300-L-G](#) [BG303-04-A-0300-L-G](#)
[DCJ235-05-A-K1-K](#) [BG301-05-A-0540-L-B](#) [BC050-06A-K0-0200-0160-0480-LG](#) [MEM2075-00-140-01-A](#) [USB4055-30-A](#) [BG055-04A-1-0450-0530-0350-L-G](#) [BC050-10A-K0-0200-0160-0480-LD](#) [BC070-20-A-1-L-D](#) [MEM2067-02-180-00-A](#) [BG120-04-A-0-N-D](#) [BC085-06-A-0390-L-D](#) [BC050-08A-K0-0200-0160-0480-LG](#) [BC050-14A-K0-0200-0160-0480-LD](#) [DCJ250-10-A-K1-K](#) [BG302-05-A-L-G](#) [USB4065-30-A](#)
[USB1035-GF-P-0-B-B](#) [BF085-02-A-0240-N-G](#) [BG050-10A-0-0450-0737-0350-L-D](#) [BG302-04-A-L-G](#) [BG055-03A-1-0650-0530-0350-L-G](#)
[BC075-08-A-L-D](#) [BC032-06-A-2-0200-0200-L-D](#) [BF020-02-A-B-0400-0300-N-G](#) [BD020-03-A-J-0350-0300-L-G](#) [BC050-12A-K0-0200-0160-0480-LD](#) [USB3160-30-0170-1-C](#)