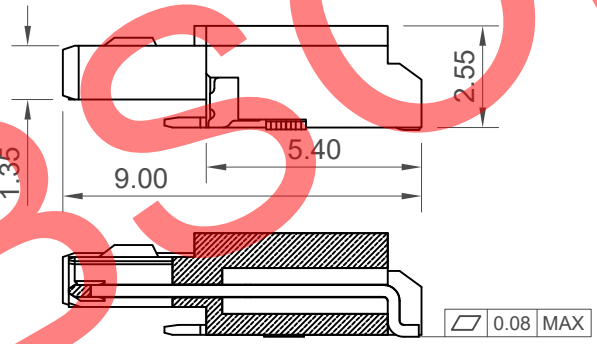
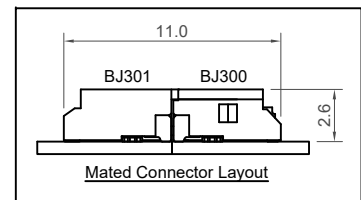


**Recommended PCB Layout**  
(Tolerance: ±0.05mm)

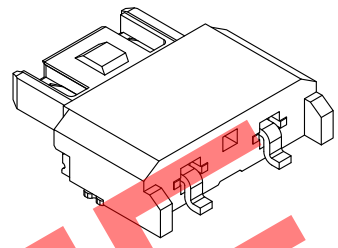
▨ Solder Area    □ Component Outline



**Section A-A**



**Mated Connector Layout**



**Specifications 规格**

**Electrical**

- Current Rating 电流额定值: 3 Amp
- Voltage Rating 电压额定值: 300 V
- Insulation Resistance 绝缘电阻值: 1000 MΩ min.
- Dielectric Withstanding 耐电压: 1700 V AC
- Contact Resistance 接触电阻值: 20 mΩ max.

**Material**

- Insulator Material 绝缘体物料: LCP, UL 94V-0, Natural
- Contact Material 端子物料: Phosphor Bronze
- Solder Tab Material 物料: Brass
- Contact Plating 端子电镀: 70μ" Tin min. over 30μ" min. Nickel
- Solder Tab Plating 焊片电镀: 70μ" Tin min. over 30μ" min. Nickel

**Soldering Process 可焊性:**

- IR Reflow 回流焊: 260°C +0°C/-5°C for 5-10 sec.
- Manual Solder 人工焊接: 350°C for 3 sec.

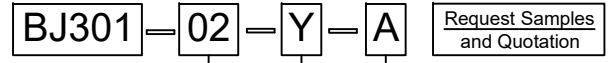
**Environmental**

- Operating Temperature 工作温度: -55°C to +105°C

**Mates with 配套之母座**

BJ300

**Ordering Grid**



**No. of Contacts**

02

**Packing**

A = Tape & Reel  
(1800 per reel)

**Contact Plating**

Y = 70μ" Tin

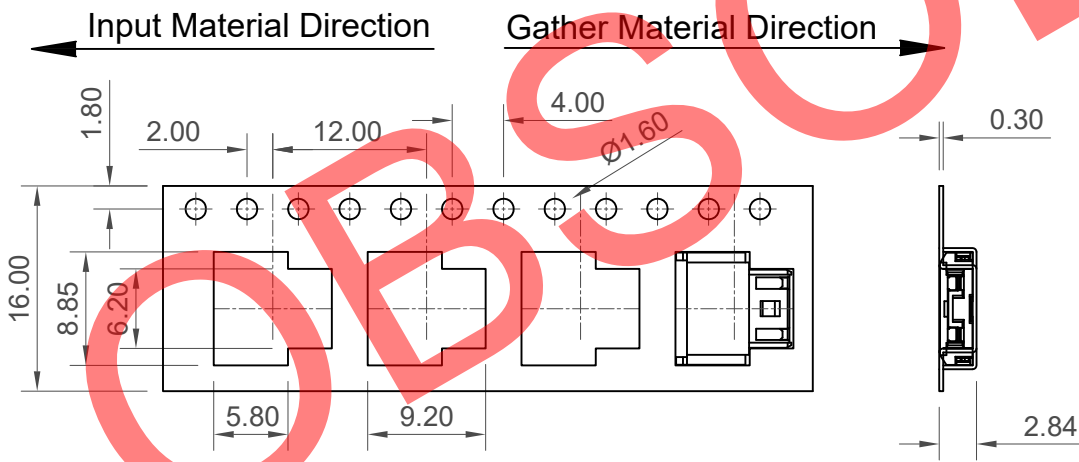
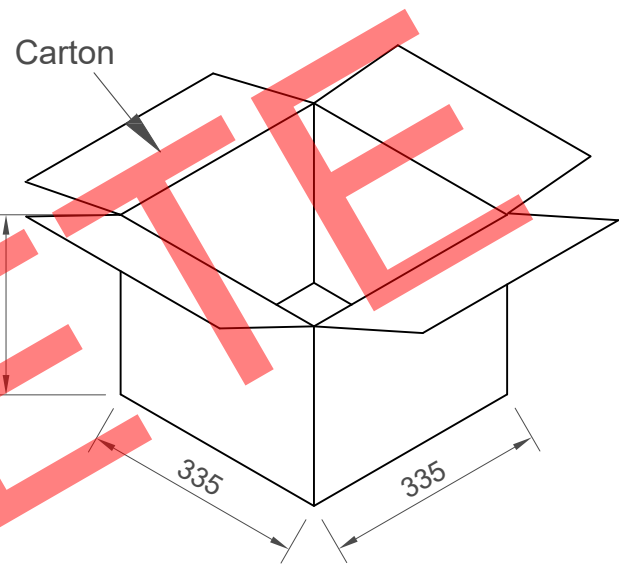
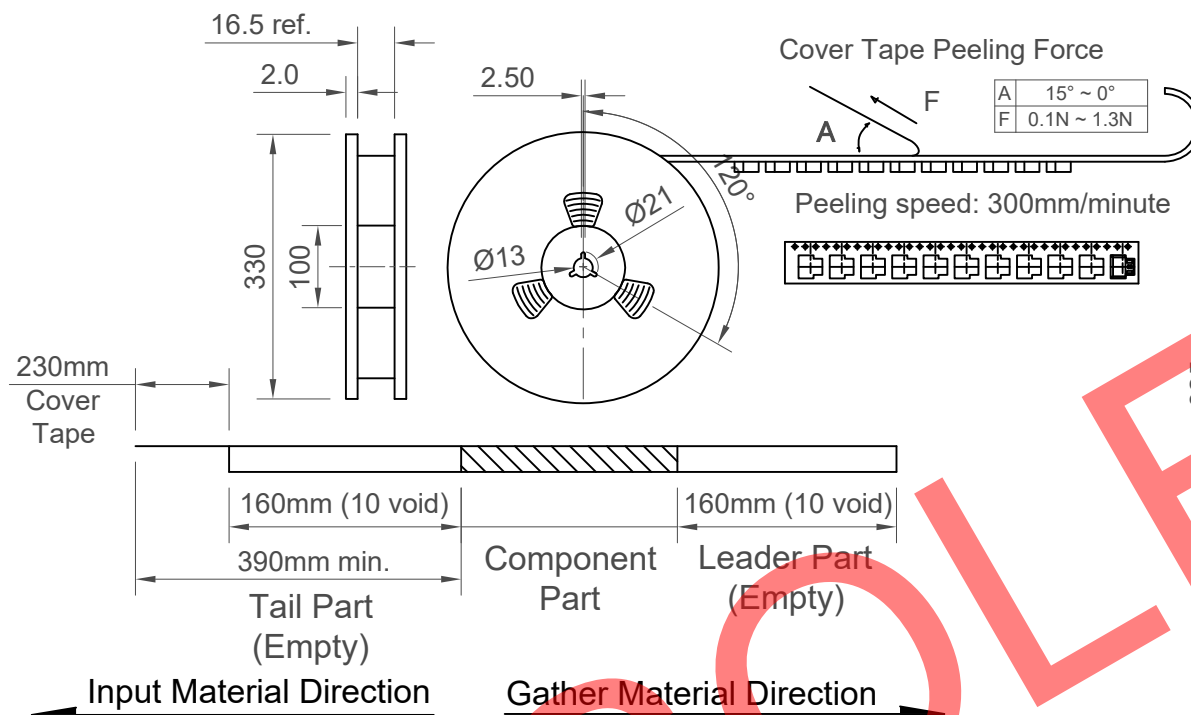
Part Number		Product Description	
BJJ301		4.0mm Pitch Header - Single Row, Surface Mount, Horizontal	
Drawing Date		12th September 2014	
By	CC	Tolerances (Except as Noted)	Units:
Detail	BJJ301 X PCN	Length X.X ± 0.30 X.XX ± 0.20 X.XXX ± 0.10	Metric (mm)
Revision	X	Angle	3rd Angle Projection
Date	08/12/21		



This drawing is confidential and copyright of Global Connector Technology, Ltd (GCT). This drawing must not be copied or disclosed without written consent. E & OE



Not to Scale	Drawn By AJO	Sheet No. 1/2
--------------	--------------	---------------



Part Number	Specification	Q'ty
Cover Tape	0.05 x 21.3mm	25m/Reel
Reel	330 x 100 x 20.5mm, Blue	15/box
Bag	900 x 700 x 0.10mm, PE	1/box
Carton	335 x 335 x 325mm	1/box
Label on T&R	90 x 70mm	15/box
Label on Carton	125 x 75mm	1/box
Desiccant	10g	1/Reel

Part Number	Pcs./Reel	Reels/Carton	Pcs./Carton
BJ301	1800	10	18000

Part Number BJ301		Product Description 4.0mm Pitch Header - Single Row, Surface Mount, Horizontal	
Drawing Date 12th September 2014			
By CC	CC	Tolerances (Except as Noted)	Units: Metric (mm)
Detail BJ301 X PCN		Length X.X ± 0.30	
Revision X		Angle X.XX ± 0.20	
Date 08/12/21		X.XXX ± 0.10	



This drawing is confidential and copyright of Global Connector Technology, Ltd (GCT). This drawing must not be copied or disclosed without written consent. E & OE



Not to Scale	Drawn By AJO	Sheet No. 2/2
--------------	-----------------	------------------

H  
G  
F  
E  
D  
C  
B  
A

1 2 3 4 5 6 7 8

## X-ON Electronics

Largest Supplier of Electrical and Electronic Components

*Click to view similar products for [Board to Board & Mezzanine Connectors](#) category:*

*Click to view products by [GCT](#) manufacturer:*

Other Similar products are found below :

[589158040000018](#) [MDF7C-18P-2.54DSA\(55\)](#) [FCN-230C068-11](#) [FCN-268F012-G/BD](#) [FCN-268F036-G/BD](#) [FCN-268M012-G/0D](#) [FCN-268M024-G/1D](#) [FCN-723J004/1](#) [MIS-048-01-F-D-DP-K](#) [832-10-034-10-001000](#) [FX4C-80S-1.27DSA](#) [FCN-214Q030-G/0](#) [FCN-234P048-G/0](#) [FCN-235D050-G/C](#) [210-93-314-41-105000](#) [2-22603-0](#) [MDF7-40DP-2.54DSA\(55\)](#) [AXG720047](#) [5031084030](#) [MIT-114-03-F-D-K](#) [55323-1519](#) [DF33-2P-3.3DSA\(24\)](#) [YFT-20-05-H-03-SB-K](#) [503308-3040](#) [026-6203-PDB](#) [027-6203-PDB](#) [069159702701000](#) [10123981-102LF](#) [101A10019X](#) [55650-0588-C](#) [68684-306](#) [75140-7012](#) [589159005003045](#) [063209](#) [194261-1](#) [FCN-268F024-G0D](#) [10124054-515LF](#) [68685-603](#) [8-1616154-3](#) [MIS-019-01-F-D](#) [589159005002045](#) [541371078](#) [IL-WX-10PB-HF-B-E1000E](#) [FCN-268M024-G/3D](#) [20021832-06016C1LF](#) [KX15-20KLDL-E1000E](#) [MDF7-16DP-2.54DSA\(55\)](#) [AXE810124](#) [FCN-214J100-G/0](#) [FCN-230C068-E/S](#)