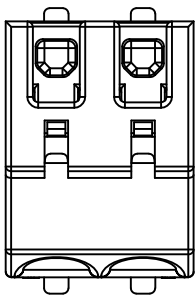
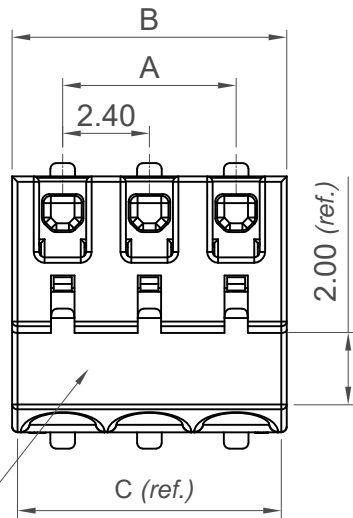


1 Contact

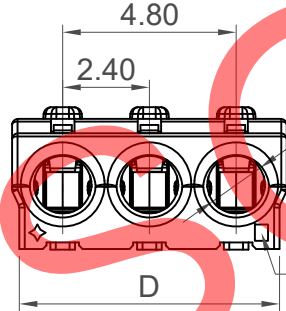
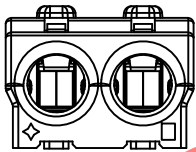


2 Contacts

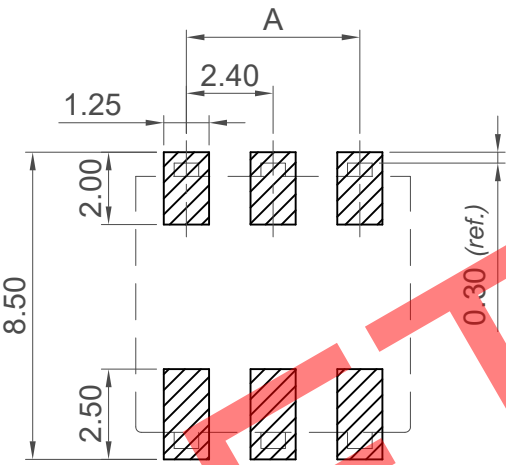
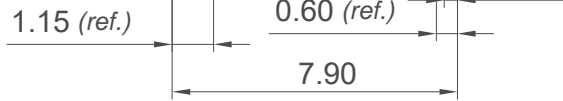


3 Contacts

Pick & Place Area



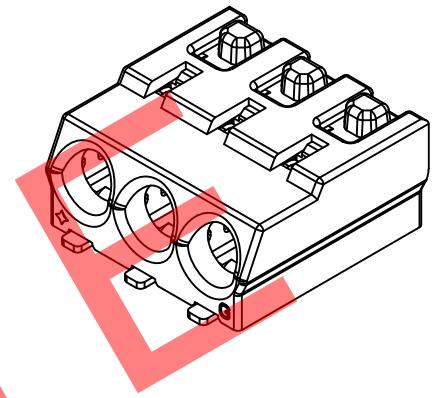
Cav. No.



Recommended PCB Layout

General Tolerance: ± 0.05
as viewed from component side

▨ Solder Area □ Component Outline



Specifications 规格

Material 物料

Insulator 绝缘体: LCP, UL 94V-0 (Cream)
Plastic Cover 塑胶外壳: LCP, UL 94V-0 (Cream)
Contact Terminal 接触端子: Copper Alloy T=0.20mm

Plating 电镀

Contact 接触: Tin over Nickel

Electrical 电气

Voltage Rating 电压额定值: 300V max.
Current Rating 电流额定值: 4 Amp max.
Contact Resistance 接触电阻值: 20 mΩ max.
Insulation Resistance 绝缘电阻值: 1000 MΩ min.
Dielectric Withstand Voltage 耐电压: 1500 V AC

Mechanical & Environmental 机械 & 环境

Operating Temperature 工作温度: -25°C to +105°C

Applicable Wire Range 适用线径规格:

Stranded Wire 多股线: #24AWG, #22AWG
Max. Insulation OD 最大线径: Ø1.50mm

Note: Please see Product Specification document for more detailed information.

Ordering Grid

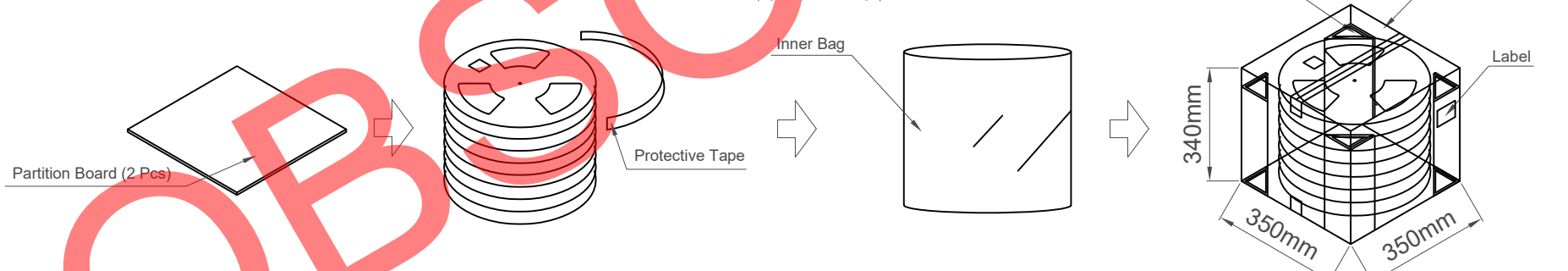
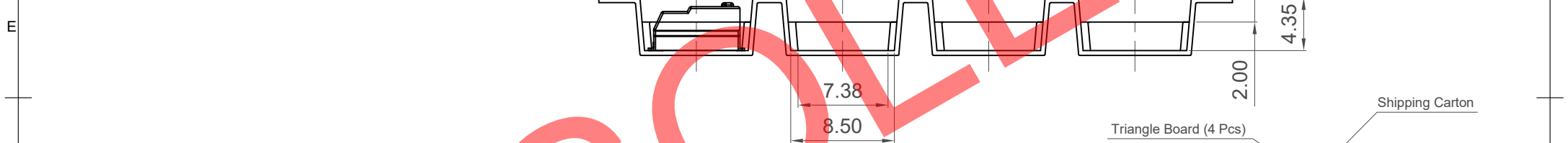
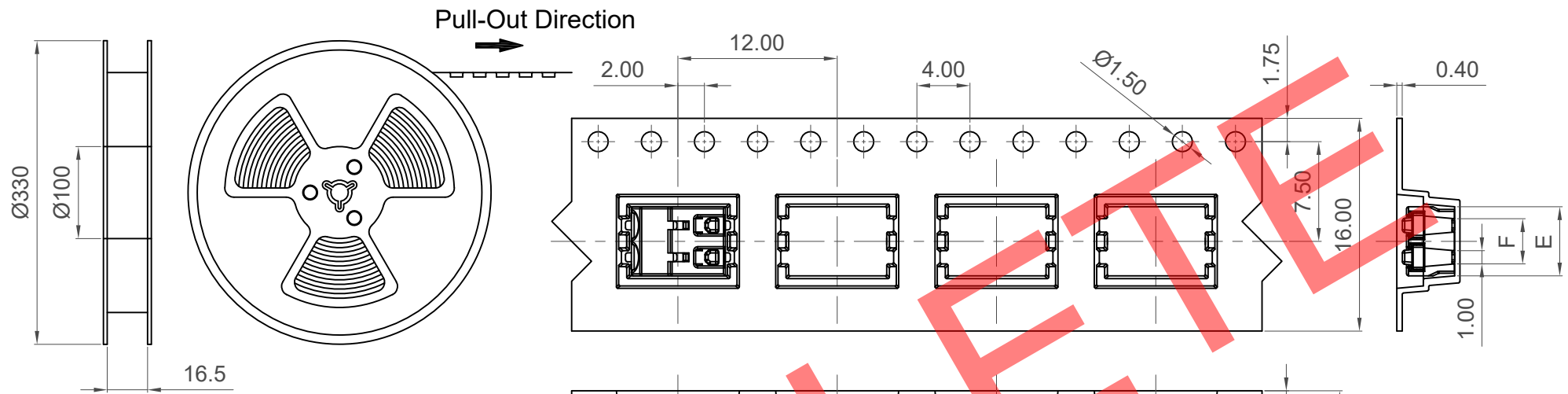
BL300 - XX - A
Request Samples and Quotation

No. of Contacts
01 - 03

Packing Options
A = Tape & Reel
(1200 per reel)

Number of Contacts	Dimensions			
	A	B	C	D
1	n/a	2.80	2.50	2.40
2	2.40	5.20	4.90	4.80
3	4.80	7.60	7.30	7.20

Part Number BL300		Product Description 2.40mm Pitch, Surface Mount Wire Trap Connector	
Drawing Date 18th January 2016			
By CC	Tolerances (Except as Noted) Length	Units: Metric (mm)	<p>This drawing is confidential and copyright of Global Connector Technology, Ltd (GCT). This drawing must not be copied or disclosed without written consent. E & OE</p>
Detail BL300 X EOLN 20210318	Angle	± 3°	
Revision X	X.X ± 0.35		
Date 06/10/21	X.XX ± 0.25		
		<p>www.gct.co</p>	
Not to Scale		Drawn By AJO	Sheet No. 1/2



Number of Contacts	Dimension	
	E	F
BL300-01-A	2.80	n/a
BL300-02-A	5.20	3.40
BL300-03-A	7.60	5.80

Packing Quantity			
Part No.	Pcs/Reel	Reel/Carton	Pcs/Carton
BL300	1200	14	16,800

Part Number BL300		Product Description 2.40mm Pitch, Surface Mount Wire Trap Connector	
Drawing Date 18th January 2016			
By CC	Tolerances (Except as Noted) Length	Units: Metric (mm)	
Detail BL300 X EOLN 20210318	Angle	± 3°	
Revision X	X.X ± 0.35		
Date 06/10/21	X.XX ± 0.25		

This drawing is confidential and copyright of Global Connector Technology, Ltd (GCT). This drawing must not be copied or disclosed without written consent. E & OE

GCT
www.gct.co

Not to Scale	Drawn By AJO	Sheet No. 2/2
--------------	-----------------	------------------

H
G
F
E
D
C
B
A

1 2 3 4 5 6 7 8

X-ON Electronics

Largest Supplier of Electrical and Electronic Components

Click to view similar products for [Lighting Connectors](#) category:

Click to view products by [GCT](#) manufacturer:

Other Similar products are found below :

[293300-7](#) [293660-5](#) [CNX_H03_NTP](#) [30-9767-BU](#) [3605](#) [3-21030-1](#) [ZCH-110-RGB-I](#) [503471-0290](#) [ZCH-110-RGB-J](#) [217-0716-200](#)
[1954563-1](#) [1-293657-2](#) [2834036-1](#) [2834037-1](#) [1-2213222-4](#) [2-2213222-4](#) [2213222-4](#) [2834122-3](#) [2834122-5](#) [2834135-2](#) [FLA-R4142-30](#)
[FLA-R4162-30](#) [FLA-R2142-30](#) [FLA-R2141-30](#) [FLA-R2162-30](#) [FLA-R2161-30](#) [FLA-R0161-30](#) [FLA-R0141-30](#) [FLA-R0162-30](#) [FLA-C00-](#)
[00](#) [DGA00010553](#) [CNXV04NTP](#) [104128-0610](#) [503485-0000 \(Cut Strip\)](#) [503485-0000 \(Loose Piece\)](#) [503485-0000 \(MINI Reel\)](#) [1-2834074-2](#)
[1-2834074-3](#) [1357-AC PLUG W2C \(CHINA\)](#) [1357-AC PLUG W2 \(USA\)](#) [104266-0110](#) [CNXV02NTP](#) [2106212-1](#) [2-2834074-2](#) [104266-](#)
[0210](#) [293470-1](#) [293651-2](#) [293651-4](#) [1-2834006-2](#) [293651-1](#)