

No. of Contacts	Dimensions			
	A	B	C	D
* 4	4.00	1.50	2.57	3.39
5	4.50	2.00	3.07	3.89
* 6	5.00	2.50	3.57	4.39
7	5.50	3.00	4.07	4.89
* 8	6.00	3.50	4.57	5.39
9	6.50	4.00	5.07	5.89
* 10	7.00	4.50	5.57	6.39
11	7.50	5.00	6.07	6.89
* 12	8.00	5.50	6.57	7.39
13	8.50	6.00	7.07	7.89
* 14	9.00	6.50	7.57	8.39
15	9.50	7.00	8.07	8.89
* 16	10.00	7.50	8.57	9.39
17	10.50	8.00	9.07	9.89
* 18	11.00	8.50	9.57	10.39
19	11.50	9.00	10.07	10.89
* 20	12.00	9.50	10.57	11.39
21	12.50	10.00	11.07	11.89
22	13.00	10.50	11.57	12.39
23	13.50	11.00	12.07	12.89
* 24	14.00	11.50	12.57	13.39
25	14.50	12.00	13.07	13.89
* 26	15.00	12.50	13.57	14.39
27	15.50	13.00	14.07	14.89
* 28	16.00	13.50	14.57	15.39
29	16.50	14.00	15.07	15.89
* 30	17.00	14.50	15.57	16.39
31	17.50	15.00	16.07	16.89
32	18.00	15.50	16.57	17.39
33	18.50	16.00	17.07	17.89
34	19.00	16.50	17.57	18.39
35	19.50	17.00	18.07	18.89
36	20.00	17.50	18.57	19.39
37	20.50	18.00	19.07	19.89
38	21.00	18.50	19.57	20.39
39	21.50	19.00	20.07	20.89
* 40	22.00	19.50	20.57	21.39

Recommended PCB Layout  
As viewed from component side

▨ Solder Area □ Component Outline

Specifications

Material

Housing: High Temperature Thermoplastic, UL 94V-0, Natural  
Actuator: High Temperature Thermoplastic, UL 94V-0, Black  
Contact: Copper Alloy  
Fitting Nail: Copper Alloy

Plating

Contact: Gold Flash over all  
Fitting Nail: Matte Tin Plating over Nickel

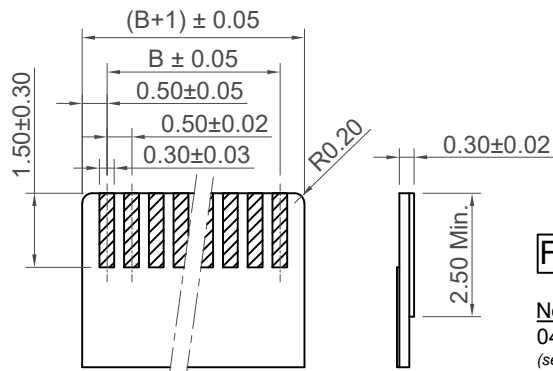
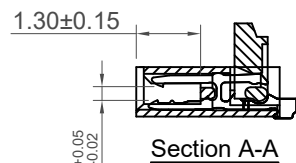
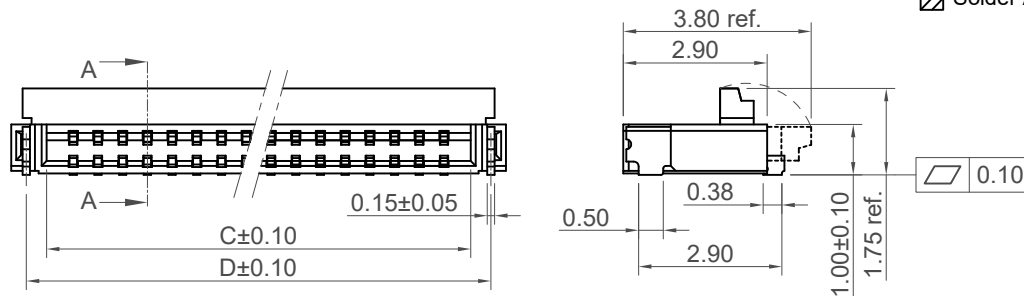
Electrical

Voltage Rating: 30V AC/DC  
Current Rating : 0.4A AC/DC (40 contacts powered)  
Dielectric Strength: 250V AC for 1 minute  
Insulation Resistance: 50 MΩ Min.  
Contact Resistance: 40 mΩ Max.

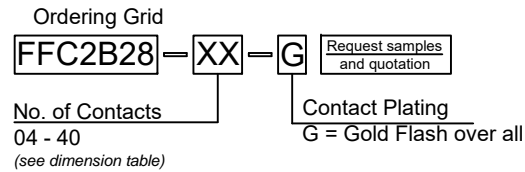
Mechanical & Environmental

Durability: 20 Cycles  
Operating Temperature: -25°C to +85°C  
Solder Profile:  
Peak Temp 260°C (+0/-5°C) max. (5 seconds)

\* = Tooled Parts  
Please contact GCT for non-tooled parts



Recommended FFC/FPC Dimensions



Part Number		Product Description	
FFC2B28		FPC 0.5mm Pitch, Side Entry, Dual Contact, SMT, Height=1.0mm, Back Flip	
Drawing Date		12th September 2019	
By	CC	Tolerances (Except as Noted)	Units:
Detail	Drawing Release	Length X.X ± 0.30 X.XX ± 0.20 X.XXX ± 0.10	Angle X.X° ± 5° X.XX° ± 2° X.XXX° ± 1°
Revision	A4	Metric (mm)	
Date	11/03/22		



This drawing is confidential and copyright of Global Connector Technology, Ltd (GCT). This drawing must not be copied or disclosed without written consent. E & OE

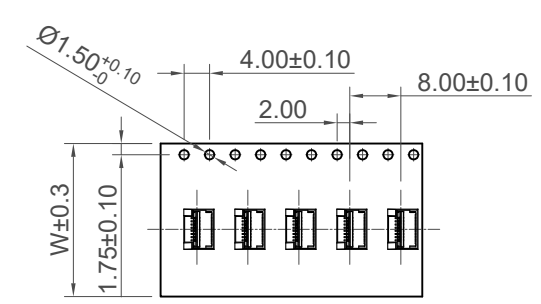
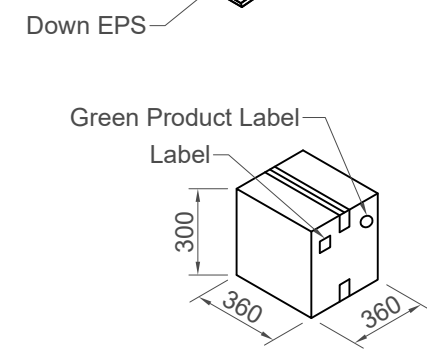
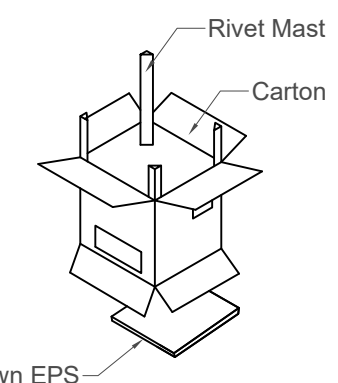
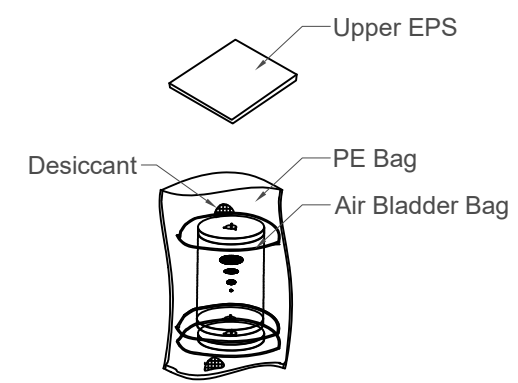
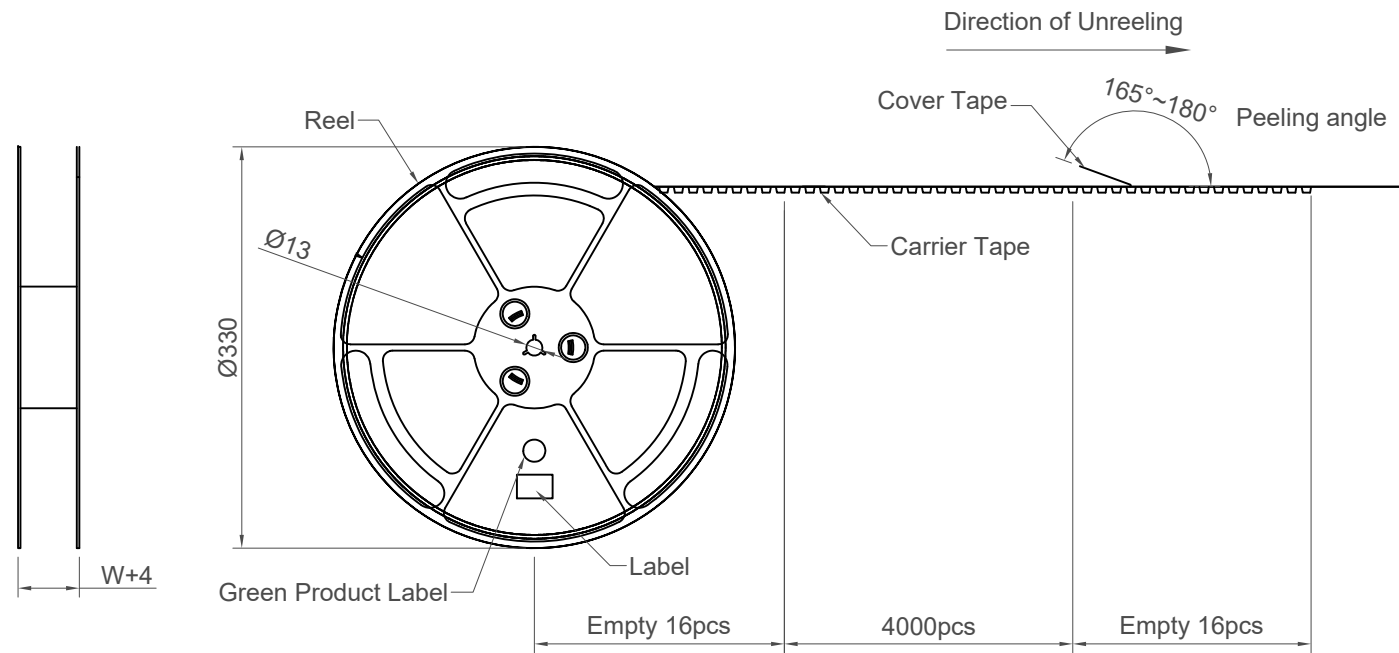


Not to Scale	Drawn By CC	Sheet No. 1/2
--------------	----------------	------------------

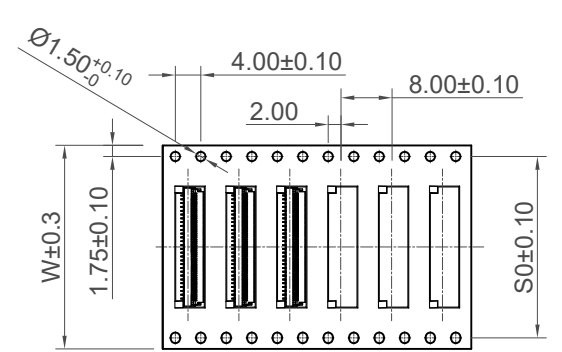
H  
G  
F  
E  
D  
C  
B  
A

1 2 3 4 5 6 7 8

H  
G  
F  
E  
D  
C  
B  
A



Direction of Unreeling  
16mm, 24mm Carrier



Direction of Unreeling  
32mm, 44mm Carrier

No. of Contacts	W	S0	Pcs/Reel	Reel/Carton	Pcs/Carton
4 ~ 14	16	/	4000	14	56000
16 ~ 27	24	/	4000	10	40000
28 ~ 39	32	28.4	4000	8	32000
40	44	40.4	4000	6	24000

Part Number		Product Description	
FFC2B28		FPC 0.5mm Pitch, Side Entry, Dual Contact, SMT, Height=1.0mm, Back Flip	
Drawing Date		12th September 2019	
By	CC	Tolerances (Except as Noted)	Units:
Detail	Drawing Release	Length	Metric (mm)
Revision	A4	Angle	RoHS COMPLIANT 2011/65/EC
Date	11/03/22	X.X ± 0.30	X.X° ± 5°
		X.XX ± 0.20	X.XX° ± 2°
		X.XXX ± 0.10	X.XXX° ± 1°
			3rd Angle Projection
			Deca-SIDE
			This drawing is confidential and copyright of Global Connector Technology, Ltd (GCT). This drawing must not be copied or disclosed without written consent. E & OE



Not to Scale	Drawn By CC	Sheet No. 2/2
--------------	-------------	---------------

1 2 3 4 5 6 7 8

## X-ON Electronics

Largest Supplier of Electrical and Electronic Components

*Click to view similar products for [FFC & FPC Connectors](#) category:*

*Click to view products by [GCT](#) manufacturer:*

Other Similar products are found below :

[00-6200-227-022-800](#) [006205250500825+](#) [006205280500825+](#) [FPH-1602G](#) [086222026001800](#) [52610-0675](#) [62674-201121DLF](#) [52746-1671-TR250](#) [10051922-1610EHLF](#) [10051922-2810EHLF](#) [686322124422](#) [XF3M-2915-1B-R100](#) [AYF353125A](#) [AYF530665TA](#) [AYF534065TA](#) [20FLH-RSM1-TB](#) [PCA-7F-25-HL-3-G](#) [207356-1](#) [52807-0430](#) [FFC05011-10SBB114W5M](#) [502250-8027](#) [FH28K-40S-0.5SH](#) [200528-0260](#) [FH28K-10S-0.5SH](#) [501951-1250](#) [X05B20U43T](#) [0.5K-DX-30PWB](#) [DS1020-08-10VBT12](#) [THD0515-34CL-GF](#) [X05A10L28G](#) [ECC2841061EU](#) [20539-030E-01](#) [1.0K-DHQX-16PWB](#) [1.0K-DHQX-30PWB](#) [1775333-6](#) [10054365-202110ELF](#) [10054365-242110ELF](#) [10054365-282110ELF](#) [10064555-392220HLF](#) [59453-041110EBHLF](#) [59453-091110EDHLF](#) [62674-241141ALF](#) [62684-432100ALF](#) [62684-451100AHLF](#) [62684-5721N0ALF](#) [HFW11R-1STE1MTLF](#) [HFW12R-1STE9LF](#) [HFW14R-1STE9MTLF](#) [HFW18S-2STE9LF](#) [HFW20R-1STAE1HLF](#)