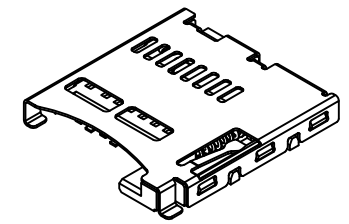
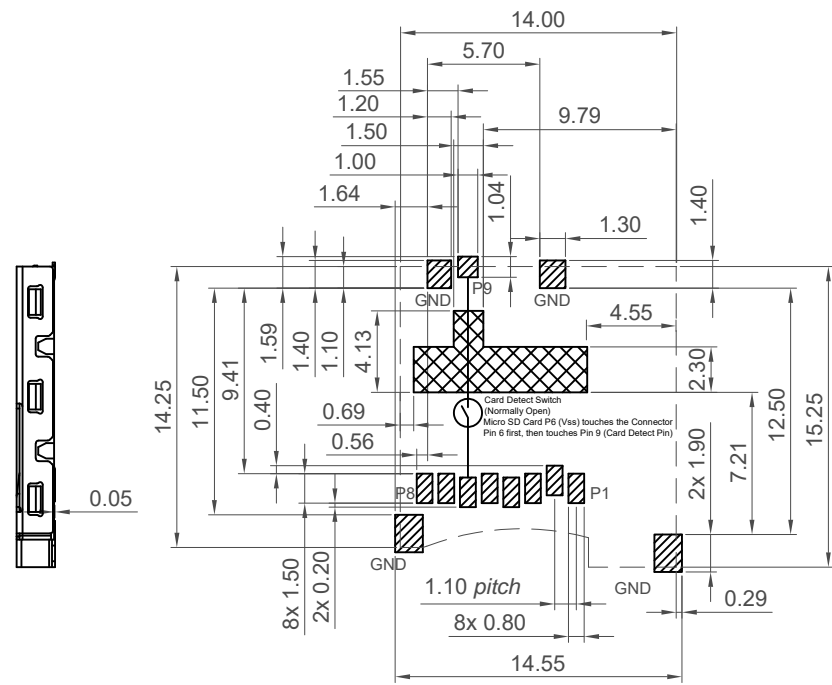
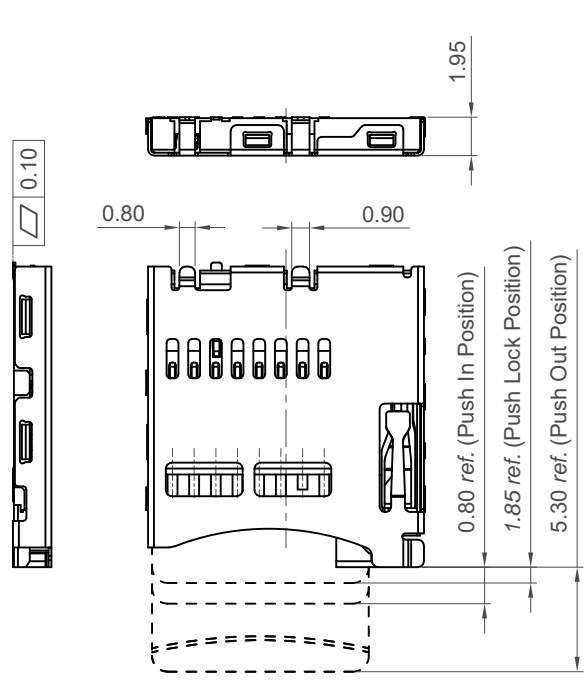


H
G
F
E
D
C
B
A



Specifications

Material
 Housing&Slider: LCP, UL94V-0, Black
 Terminal& Card Detect Pin: Phosphor Bronze
 Shell: Stainless Steel
 Coil Spring: SWP
 Latch: Stainless Steel

Plating
Terminal:
 Under-plating: 50µ" min. Nickel all over
 Contact Area: Gold Flash
 Soldering Area: 80µ" min. Matte Tin
Shell :
 Under-plating : 50µ" Nickel all over
 Soldering Area : Gold Flash
Card Detect Pin:
 Under-plating: 50µ" min. Nickel all over
 Contact Area: Gold Flash
 Solder Tail : Gold Flash
 Coil Spring&Latch: Clear

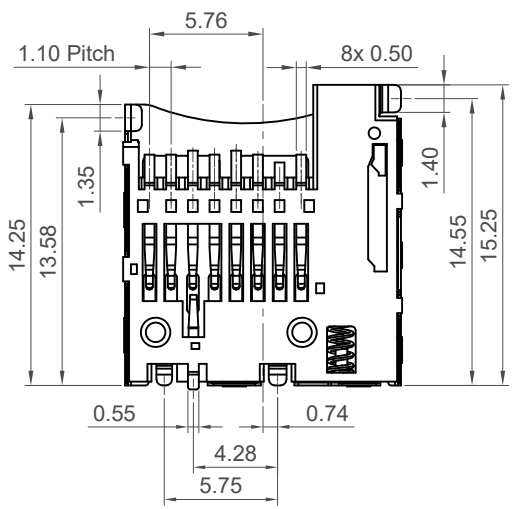
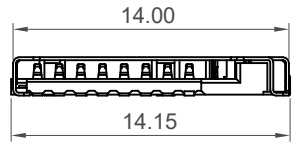
Electrical
 Voltage Rating: 10 V AC max
 Current Rating: 0.5 A max.
 Contact Resistance: 100mΩ max.
 Insulating Resistance: 1000MΩ min. at 500 V DC
 Dielectric Withstand Voltage: 500 V AC

Mechanical & Environmental
 Durability: 10000 Cycles
 Operating Temperature: -40°C to +85°C

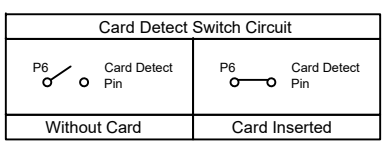
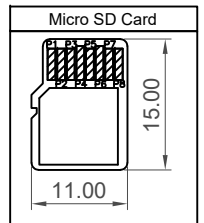
Recommended PCB Layout

As viewed from component side General Tolerance: ±0.05

 Solder Area Keep Out Area Component Outline



MICRO SD CARD PIN OUT		
Pin	Name	Description
P1	DAT2	Data Bit 2
P2	CD/DAT3	Card Detect/Data Bit 3
P3	CMD	Command Line
P4	V _{cc}	Supply Voltage 2.7v/3.6v
P5	CLK	Clock
P6	V _{ss}	Ground
P7	DAT0	Data Bit 0
P8	DAT1	Data Bit 1
P9	CD Pin	Card Detect Pin



Ordering Grid

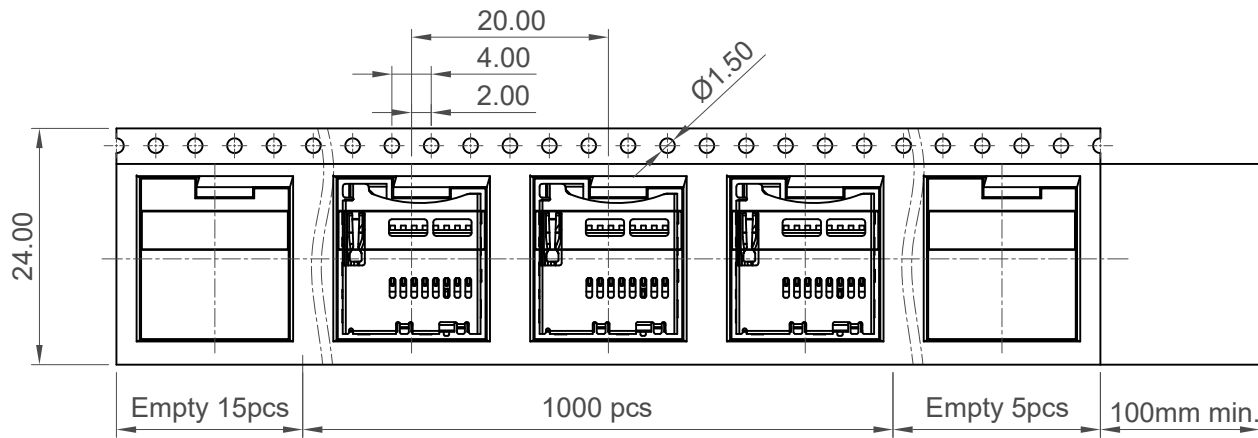
MEM2052-00-195-00-A [Request Samples and Quotation](#)

Switch
00 = Normally Open

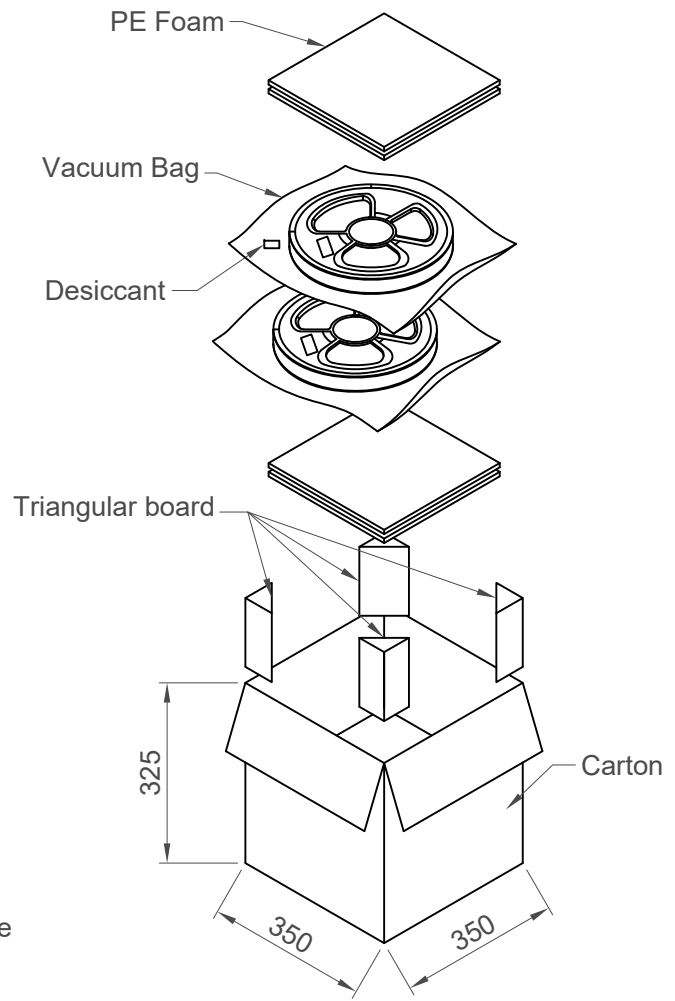
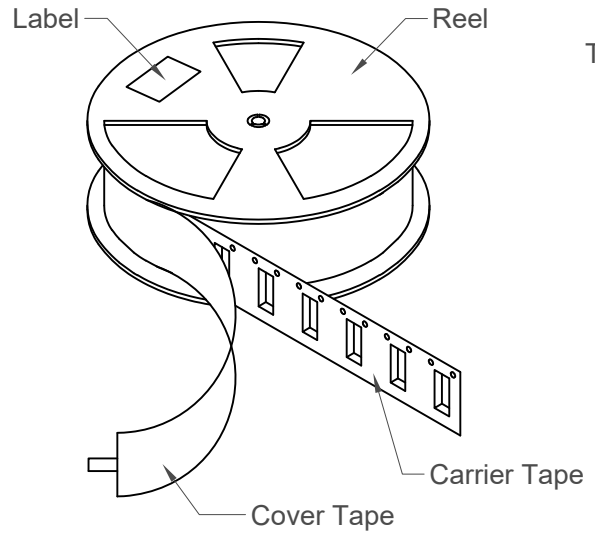
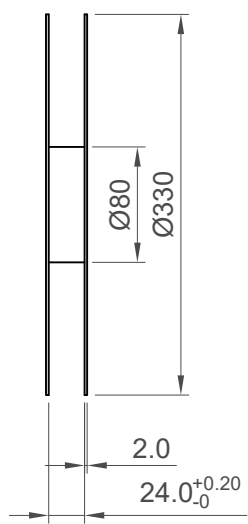
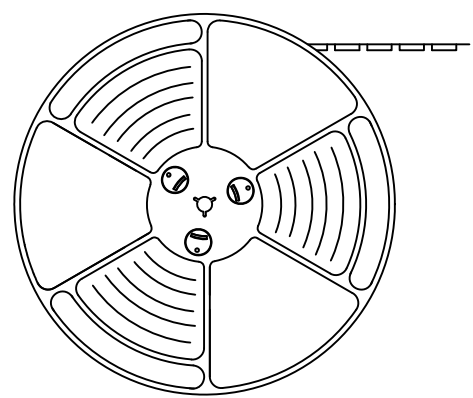
Locating Post
00 = Without

Packing Options
A = Tape & Reel (1000 per Reel)

Part Number MEM2052		Product Description Micro SD Memory Card Connector Push-Push, SMT, Card Entry Normal, 1.95mm Profile		 www.gct.co
Drawing Date 23rd November 2022				
By	CC	Tolerances (Except as Noted)	Units:	This drawing is confidential and copyright of Global Connector Technology, Ltd (GCT). This drawing must not be copied or disclosed without written consent. E & OE
Detail	Drawing Release	Length X.X ±0.35 X.XX ±0.25 X.XXX ±0.15	Angle ±2°	
Revision	A		3rd Angle Projection	
Date	23/11/22			
Not to Scale	Drawn By CC	Sheet No. 1/2		



Pull out direction
→



Pcs/Reel	Reels/Carton	Pcs/Carton
1000	10	10000

Part Number		Product Description				This drawing is confidential and copyright of Global Connector Technology, Ltd (GCT). This drawing must not be copied or disclosed without written consent. E & OE
MEM2052		Micro SD Memory Card Connector				
Drawing Date		Push-Push, SMT, Card Entry Normal, 1.95mm Profile				
23rd November 2022						
By	CC	Tolerances (Except as Noted)	Units:			Not to Scale
Detail	Drawing Release	Length	Metric (mm)			
Revision	A	X.X ±0.35	±2°			
Date	23/11/22	X.XX ±0.25	X.XXX ±0.15			
						Drawn By CC
						Sheet No. 2/2

H
G
F
E
D
C
B
A

1 2 3 4 5 6 7 8

X-ON Electronics

Largest Supplier of Electrical and Electronic Components

Click to view similar products for [Memory Card Connectors](#) category:

Click to view products by [GCT](#) manufacturer:

Other Similar products are found below :

[6407-249V-25273P](#) [6407-249V-25343P](#) [6426-201-21343](#) [69.920.0553.0](#) [MCR60A-98D-2.54DSA\(70\)](#) [809180410000000](#) [DM3AT-SF-PEJM5\(41\)](#) [IC11S-BUR-PNEJL\(71\)](#) [C70210M0083692](#) [2041353-2](#) [308-DS1P0811-192](#) [HM2P09PDR360N9LF](#) [10014744-011TLF](#) [11327-001](#) [11327-002](#) [NX1-32T-KT3K\(05\)](#) [95622-003LF](#) [84648-056HLF](#) [CCM03-3109 B LFT](#) [MS3116J10-6PW](#) [2309923-1](#) [61126-050CAHLF](#) [GTFP08432B1HR](#) [G85D1160022HHR](#) [SCE2MSDZN76A121SN](#) [10014744-011ALF](#) [10014744-011LF](#) [10057542-1211FLF](#) [10067972-000LF](#) [10067972-050LF](#) [10122302-20110LF](#) [G85D1162022HHR](#) [TF-05A](#) [M6014-12](#) [XKNANO-1412](#) [SMN-304-ARP6](#) [MIS11-S1F1-2000-A](#) [SMN-308-ARSP7](#) [MCS-302S-KT1B](#) [SMN-308-ACSP7](#) [K-DYX-008](#) [K-DYX-004](#) [HYCW126-TF18-150B](#) [C7024-03](#) [SMO-1030](#) [MCS-110-KT](#) [SIM-217](#) [SNO-1355-KT](#) [SMO-1025-P10](#) [SIM-211S-P6](#)