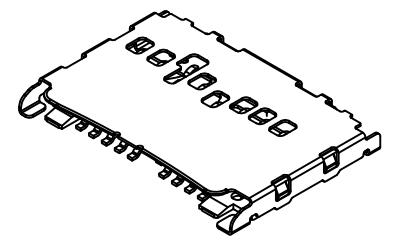
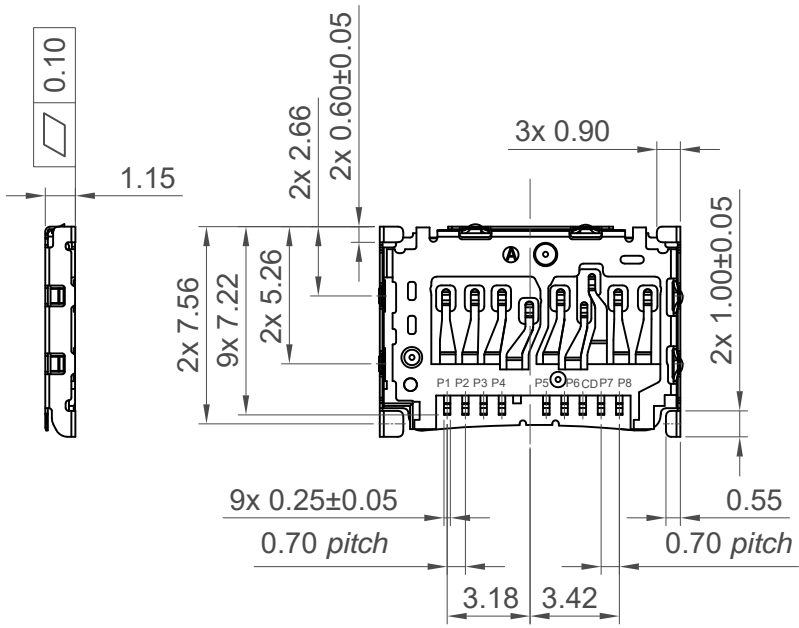
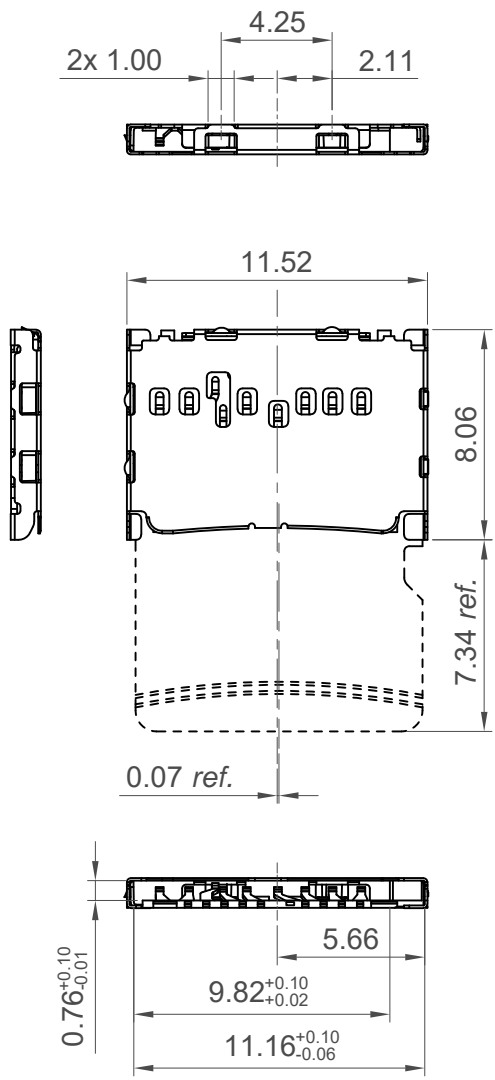


H  
G  
F  
E  
D  
C  
B  
A



**Specifications**

**Material**

Housing: LCP, UL94V-0, Black  
Terminal: Phosphor Bronze, T=0.12mm  
Shell: Stainless Steel, T=0.10mm

**Plating**

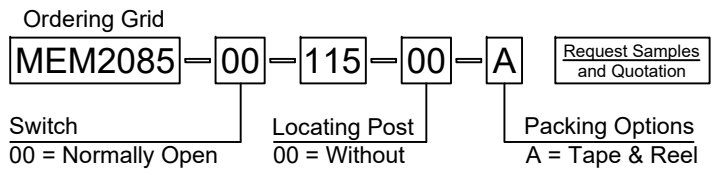
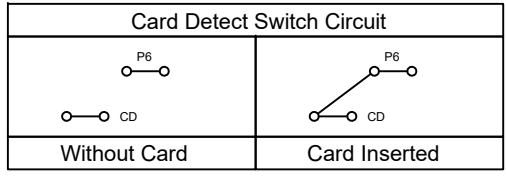
**Contact Terminal:**  
Under-plating: 80µ" min. Nickel all over  
Contact Area: Gold Flash  
Soldering Area: Gold Flash  
**Metallic Shell :**  
Under-plating : 30µ" Nickel all over  
Soldering Area : Gold Flash

**Electrical**

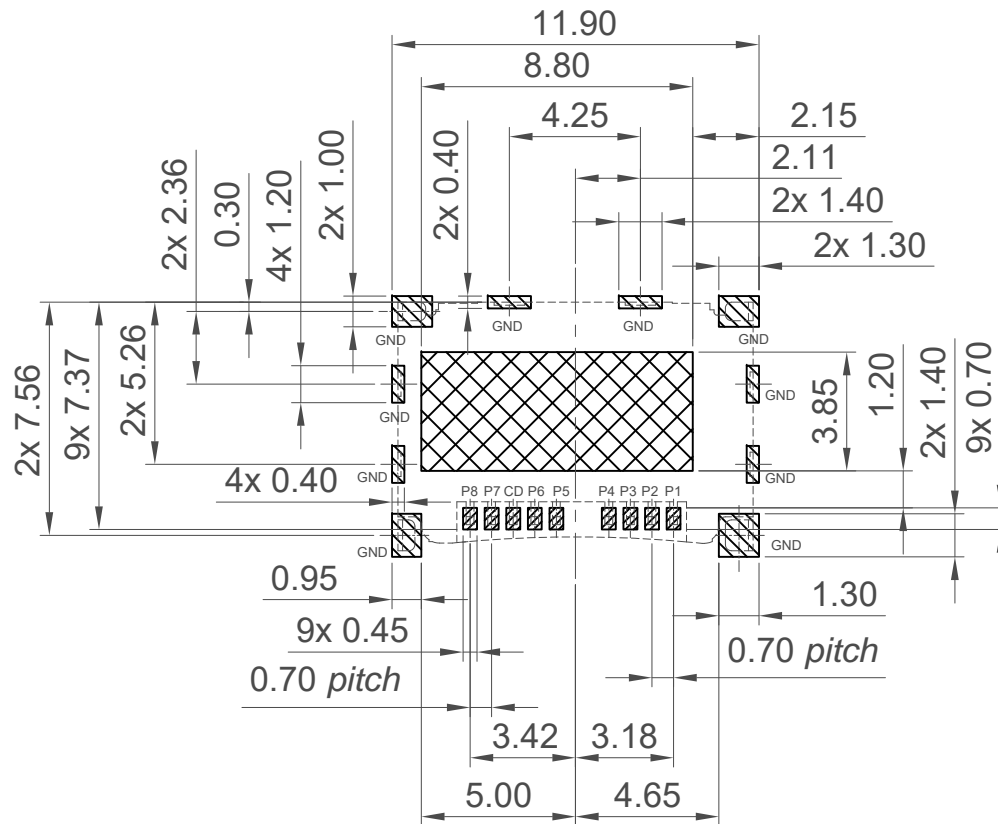
Voltage Rating: 5V  
Current Rating: 0.5A  
Contact Resistance: 100mΩ max.  
Insulating Resistance: 1000MΩ min. at 500V DC  
Dielectric Withstand Voltage: 500V AC

**Mechanical & Environmental**

Durability: 5000 Cycles  
Operating Temperature: -25°C to +85°C



Part Number MEM2085		Product Description Micro SD Memory Card Connector Push-Pull, SMT, 1.15mm Profile	
Drawing Date 18th October 2022			
By CC	Detail Drawing Release	Tolerances (Except as Noted) Length X.X ±0.35 X.XX ±0.20 X.XXX ±0.10	Units: Metric (mm)
Revision 0.2	Date 08/11/22	Angle ±2°	
		<p>This drawing is confidential and copyright of Global Connector Technology, Ltd (GCT). This drawing must not be copied or disclosed without written consent. E &amp; OE</p>	
		<p>www.gct.co</p>	
Not to Scale	Drawn By CC	Sheet No. 1/3	



Pin Assignment		
Pin	Name	Description
P1	DAT2	Data Bit 2
P2	CD/DAT3	Card Detect/Data Bit 3
P3	CMD	Command Line
P4	V <sub>DD</sub>	Supply Voltage
P5	CLK	Clock
P6	V <sub>SS</sub>	Ground
CD	CD	Card Detect
P7	DAT0	Data Bit 0
P8	DAT1	Data Bit 1

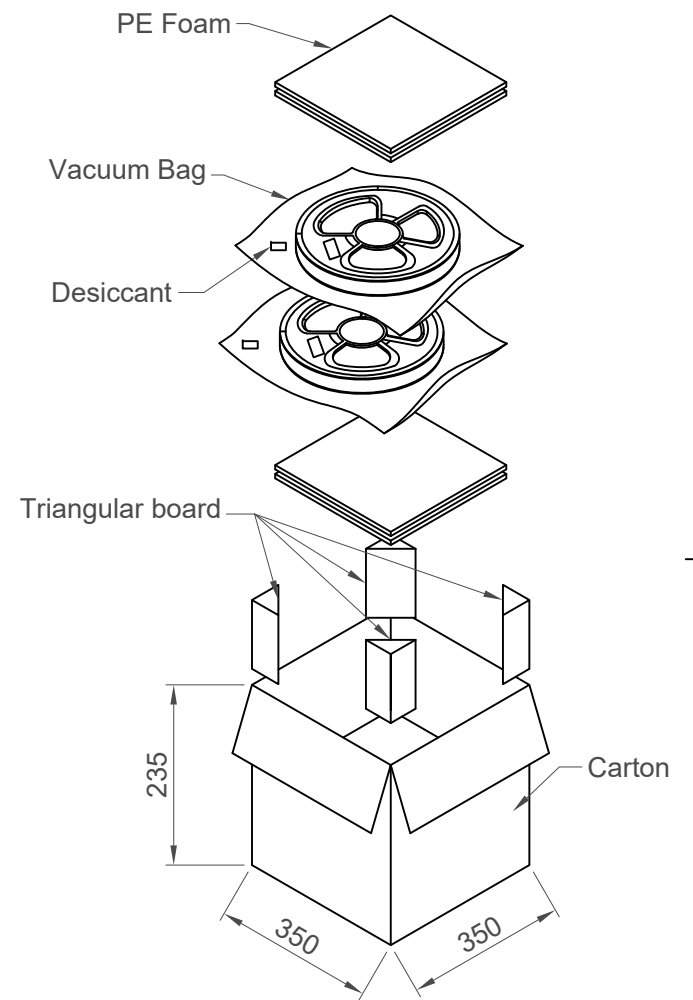
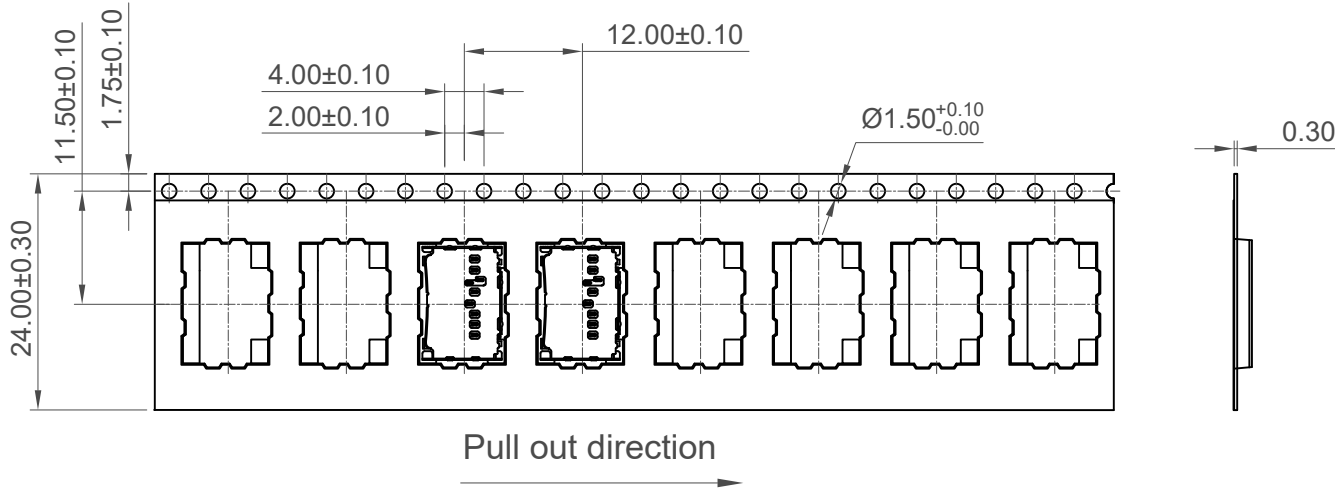
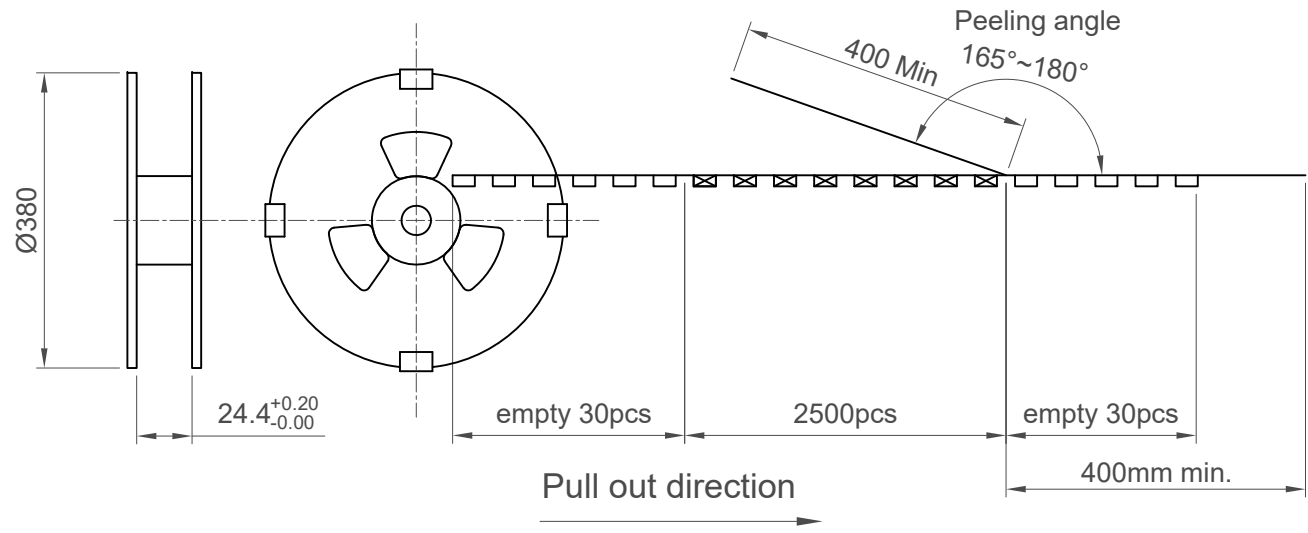
### Recommended PCB Layout

As viewed from component side General Tolerance:  $\pm 0.05$

Solder Area 
 Keep Out Area 
 Component Outline

Part Number		Product Description			This drawing is confidential and copyright of Global Connector Technology, Ltd (GCT). This drawing must not be copied or disclosed without written consent. E & OE
MEM2085		Micro SD Memory Card Connector			
Drawing Date		Push-Pull, SMT, 1.15mm Profile			
18th October 2022					Not to Scale   Drawn By CC   Sheet No. 2/3
By	CC	Tolerances (Except as Noted)			
Detail	Drawing Release	Length	Angle		
Revision	0.2	X.X $\pm 0.35$	$\pm 2^\circ$		
Date	08/11/22	X.XX $\pm 0.20$	X.XXX $\pm 0.10$		





Pcs/Reel	Reels/Carton	Pcs/Carton
2500	6	15000

Part Number		Product Description			This drawing is confidential and copyright of Global Connector Technology, Ltd (GCT). This drawing must not be copied or disclosed without written consent. E & OE						
MEM2085		Micro SD Memory Card Connector									
Drawing Date		Push-Pull, SMT, 1.15mm Profile									
18th October 2022											
By	CC	Tolerances (Except as Noted)	Units:								
Detail	Drawing Release	Length	Metric (mm)								
Revision	0.2	Angle									
Date	08/11/22										
				<table border="1"> <tr> <td>Not to Scale</td> <td>Drawn By</td> <td>Sheet No.</td> </tr> <tr> <td></td> <td>CC</td> <td>3/3</td> </tr> </table>		Not to Scale	Drawn By	Sheet No.		CC	3/3
Not to Scale	Drawn By	Sheet No.									
	CC	3/3									



## X-ON Electronics

Largest Supplier of Electrical and Electronic Components

*Click to view similar products for [Memory Card Connectors](#) category:*

*Click to view products by [GCT](#) manufacturer:*

Other Similar products are found below :

[6407-249V-25273P](#) [6407-249V-25343P](#) [6426-201-21343](#) [69.920.0553.0](#) [MCR60A-98D-2.54DSA\(70\)](#) [809180410000000](#) [DM3AT-SF-PEJM5\(41\)](#) [IC11S-BUR-PNEJL\(71\)](#) [C70210M0083692](#) [2041353-2](#) [308-DS1P0811-192](#) [HM2P09PDR360N9LF](#) [10014744-011TLF](#) [11327-001](#) [11327-002](#) [NX1-32T-KT3K\(05\)](#) [95622-003LF](#) [84648-056HLF](#) [CCM03-3109 B LFT](#) [MS3116J10-6PW](#) [2309923-1](#) [61126-050CAHLF](#) [GTFP08432B1HR](#) [G85D1160022HHR](#) [SCE2MSDZN76A121SN](#) [10014744-011ALF](#) [10014744-011LF](#) [10057542-1211FLF](#) [10067972-000LF](#) [10067972-050LF](#) [10122302-20110LF](#) [G85D1162022HHR](#) [TF-05A](#) [M6014-12](#) [XKNANO-1412](#) [SMN-304-ARP6](#) [MIS11-S1F1-2000-A](#) [SMN-308-ARSP7](#) [MCS-302S-KT1B](#) [SMN-308-ACSP7](#) [K-DYX-008](#) [K-DYX-004](#) [HYCW126-TF18-150B](#) [C7024-03](#) [SMO-1030](#) [MCS-110-KT](#) [SIM-217](#) [SNO-1355-KT](#) [SMO-1025-P10](#) [SIM-211S-P6](#)