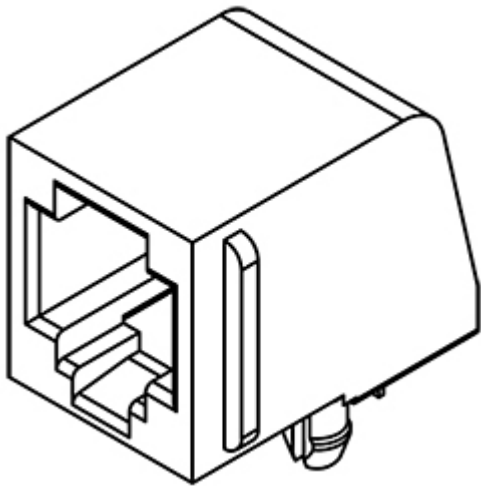
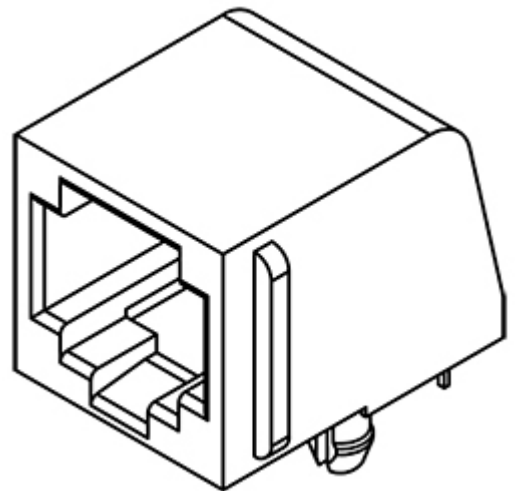


PRODUCT SPECIFICATION

| | | | | | | | |
|----------------------------|---|-----------------|-----------|----------------|-------------|-----------------|-----------|
| Part Number | MJ3215 | Rev | A | Date | 31/07/10 | | |
| Product Description | Mod Jack, Category 3, Right Angle, Through Hole, 6 & 8 Position | | | | Page | 1 | |
| Doc Number | MJ3215 | Prepared | SA | Checked | DR | Approved | LH |



MJ3215-66



MJ3215-88

PRODUCT SPECIFICATION

| | | | | | | | |
|----------------------------|---|-----------------|-----------|----------------|-----------|-----------------|-----------|
| Part Number | MJ3215 | Rev | A | Date | 31/07/10 | | |
| Product Description | Mod Jack, Category 3, Right Angle, Through Hole, 6 & 8 Position | | | Page | 2 | | |
| Doc Number | MJ3215 | Prepared | SA | Checked | DR | Approved | LH |

1.0 SCOPE.

This specification covers performance, tests and quality requirements for the Modular Jack, Category 3, Right Angle, Through Hole, 6 & 8 Position, MJ3215 range.

2.0 PRODUCT NAME AND PART NUMBER.

Modular Jack Connector, 6 Position, Category 3, Right Angle, Through Hole, Standard Profile, Standard Latch – MJ3215-6X-X-X-X

Modular Jack Connector, 8 Position, Category 3, Right Angle, Through Hole, Standard Profile, Standard Latch – MJ3215-88-X-X-X

3.0 PRODUCT SHAPE, DIMENSIONS AND MATERIAL.

Please refer to drawings.

4.0 RATINGS.

| | |
|-----------------------------------|----------------|
| Current rating | 1.5 A |
| Voltage rating | 125 V AC |
| Storage Temperature..... | -40°C to +85°C |
| Operating Temperature Range | -40°C to +85°C |

5.0 TEST AND MEASUREMENT CONDITIONS.

Product is designed to meet electrical, mechanical and environmental performance requirements specified in Paragraph 6.0. All tests are performed under the following conditions unless otherwise specified.

PRODUCT SPECIFICATION

| | | | | | |
|----------------------------|---|-----------------|-----------|----------------|-----------|
| Part Number | MJ3215 | Rev | A | Date | 31/07/10 |
| Product Description | Mod Jack, Category 3, Right Angle, Through Hole, 6 & 8 Position | | | Page | 3 |
| Doc Number | MJ3215 | Prepared | SA | Checked | DR |
| | | Approved | LH | | |

6.0 PERFORMANCE.

| Item | Test Condition | Requirement |
|------------------------|--|---|
| Examination of Product | Visual, dimensional and functional inspection as per quality plan. | Product shall meet requirements of product drawing and specification. |

6.1 Electrical Performance.

| Item | Test Condition | Requirement |
|-----------------------|---|----------------------|
| Contact Resistance | Measure the resistance between input and output and in accordance with EIA-364-23 | 50 mΩ maximum |
| Insulation Resistance | Apply 500vdc between adjacent terminals and in accordance with EIA-364-21 | 1000 MΩ minimum |
| Dielectric Strength | Apply 1000VAC for 1 minute between adjacent terminals and in accordance with EIA-364-20 | No voltage breakdown |

6.2 Mechanical Performance.

| Item | Test Condition | Requirement |
|-----------------------------------|--|-------------------------------------|
| Durability | 750 Cycles in accordance with EIA-364-09 | No damage $\Delta R \leq 10m\Omega$ |
| Solderability Test | Soldering Time: 4-5 seconds at a solder temperature of $245 \pm 5^\circ C$ and in accordance with EIA-364-52 | 95% minimum Solder Area |
| Resistance to Soldering Heat Test | Soldering Time: 4-5 seconds at a Temperature of $360 \pm 10^\circ C$ and in accordance with EIA-364-56 | No damage $\Delta R \leq 10m\Omega$ |
| Vibration Test | 1.5mm, 10+55-10Hz per minute, 2hours for each X.Y and Z directions and in accordance with EIA-364-28 | Discontinuity 1μ s Max. |
| Shock Test | Temperature: -55→20 ~ 25→85→20 ~ 35 (°C) Temperature Time: 30→5→30→5 (mins) Number of Cycles: 5 In accordance with EIA-364-32B | No damage $\Delta R \leq 10m\Omega$ |

PRODUCT SPECIFICATION

| | | | | | |
|----------------------------|---|-----------------|-----------|-----------------|-----------|
| Part Number | MJ3215 | Rev | A | Date | 31/07/10 |
| Product Description | Mod Jack, Category 3, Right Angle, Through Hole, 6 & 8 Position | | | Page | 4 |
| Doc Number | MJ3215 | Prepared | SA | Checked | DR |
| | | | | Approved | LH |

| Item | Test Condition | Requirement |
|------------------------|---|--------------|
| Mating/Unmating Force | Insertion speed at 25 ±3mm per minute and in accordance with EIA-364-13 | 2.27kgf Max. |
| Plug to Jack Retention | Plug shall not dislodge from Jack In accordance with EIA-364-35 | 9.1kgf Min. |

6.3 Environmental Performance and Others.

| Item | Test Condition | Requirement |
|-----------------|--|--------------------|
| Cold Resistance | -40 ±2°C, 96 hours In accordance with EIA-364-59 | No damage, ΔR≤10mΩ |
| Heat Resistance | 85 ±2°C, 96 hours In accordance with EIA-364-17 | No damage, ΔR≤10mΩ |
| Heat Test | 40 ±2°C, 90~95% RH, 96 hours In accordance with EIA-364-31 | No damage, ΔR≤10mΩ |
| Salt Spray | 35 ±2°C consistency 5 ±1%, 48 hours In accordance with EIA-364-26 | No rust, ΔR≤10mΩ |

PRODUCT SPECIFICATION

| | | | | | | | |
|----------------------------|---|-----------------|-----------|----------------|-------------|-----------------|-----------|
| Part Number | MJ3215 | Rev | A | Date | 31/07/10 | | |
| Product Description | Mod Jack, Category 3, Right Angle, Through Hole, 6 & 8 Position | | | | Page | 5 | |
| Doc Number | MJ3215 | Prepared | SA | Checked | DR | Approved | LH |

7.0 TEST GROUP AND SEQUENCE

| Item | Description | Test Group | | | | | | |
|------|-----------------------------------|---------------|------|------|------|------|------|------|
| | | A | B | C | D | E | F | G |
| | | Test Sequence | | | | | | |
| 1 | Examination or product | 1, 7 | 1, 6 | 1, 3 | 1, 3 | 1 | | |
| 2 | Contact resistance | 2, 4 | | | | 2, 4 | 1, 3 | 1, 3 |
| 3 | Insulation resistance | | 2 | | | | | |
| 4 | Dielectric strength | | 3 | | | | | |
| 5 | Solderability | | 4 | | | | | |
| 6 | Resistance to soldering Heat Test | | 5 | | | | | |
| 7 | Vibration | | | 2 | | | | |
| 8 | Shock Test | | | | 2 | | | |
| 9 | Durability | 3 | | | | | | |
| 10 | Mating / Unmating force | 5, 6 | | | | | | |
| 11 | Plug to Jack retention | 8, 9 | | | | | | |
| 12 | Cold Resistance | | | | | 3 | | |
| 13 | Heat Resistance | | | | | | 2 | |
| 14 | Humidity | | | | | | 4 | |
| 15 | Salt spray | | | | | | | 2 |
| | | | | | | | | |
| | | | | | | | | |
| | Sample Size (pcs) | 3 | 3 | 3 | 3 | 3 | 3 | 3 |

X-ON Electronics

Largest Supplier of Electrical and Electronic Components

Click to view similar products for [Modular Connectors](#) / [Ethernet Connectors](#) category:

Click to view products by [GCT](#) manufacturer:

Other Similar products are found below :

[8949-H88/06BLKA/SN](#) [74441-0010/BKN](#) [PHP-6P6C-5](#) [GAX-3-66](#) [GDCX-PN-66](#) [GLX-A-44](#) [GLX-N-1010M-BLK](#) [GLX-S-88M-BLK](#)
[GMX-SMT4-N-88](#) [GSGX-N-2-88](#) [GSGX-N-4-88](#) [GSX-NS2-88-3.05](#) [GSX-NS-88-3.68](#) [PT-108A-8C-UL](#) [PTS-J531-8CS-50UL](#) [A-2014-0-4](#)
[GWLX-S9-88-YG](#) [DC-1021-8-WH-6](#) [1300530003](#) [1324640-4](#) [132764-001](#) [1413235](#) [MPS88RX-5000](#) [E5288-S000K3-L](#) [155302-001](#)
[AX101050](#) [AX101063](#) [AX101065](#) [AX101072](#) [AX101307](#) [AX101315](#) [AX101318](#) [AX102271](#) [AX102277](#) [AX102651](#) [AX102660](#) [AX104024](#)
[203475](#) [PC4D0018P](#) [KIT38082NI](#) [8949-B88/6](#) [2-6609208-5](#) [30-8956](#) [30-8964-100](#) [SM85](#) [SM99S01VBNN04G7](#) [17-103540](#) [191587](#) [PDI-68-RV](#) [PHP-8P8C-S-5](#)