

**Specifications**

**Material**

Insulator: PA66, UL 94V-0, Black  
 Contact: Phosphor Bronze,  $\varnothing=0.46\text{mm}$

**Plating**

See Ordering Grid

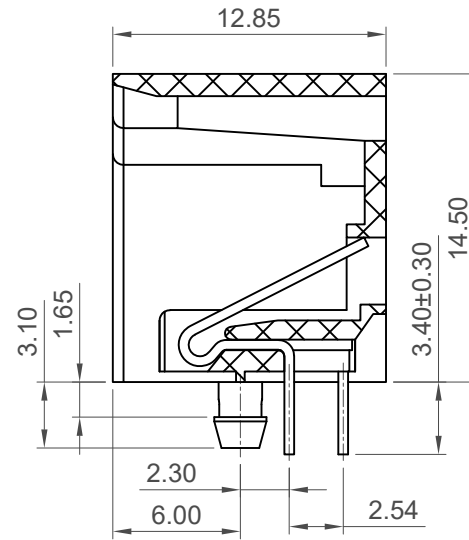
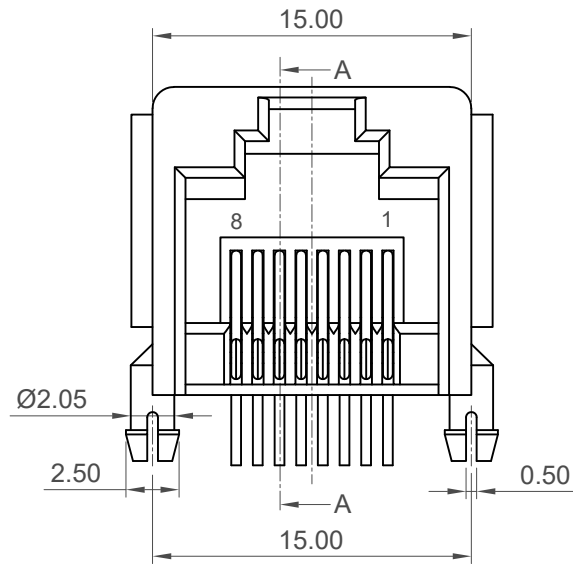
**Electrical**

Current Rating : 1.5 Amp  
 Current Voltage : 125V AC RMS  
 Contact Resistance : 20 m $\Omega$  max.  
 Insulation Resistance: 1000 M $\Omega$  min.@500V DC  
 Dielectric Withstand Voltage :  
 1000VAC RMS 60Hz, 1min.

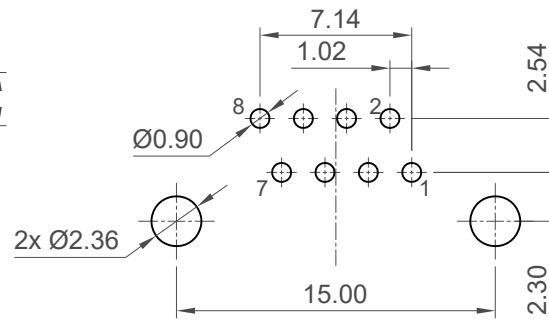
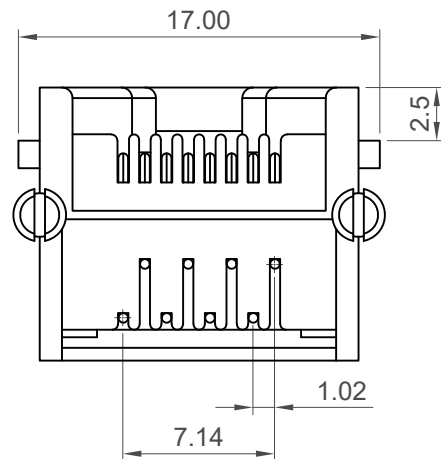
**Mechanical & Environmental**

Storage Temperature : -40°C to +85°C,  
 Relative Humidity <80%  
 Operation Temperature : -40°C to +85°C  
 Operating Life : 750 Cycles Min.  
 Mating/Unmating Force: 30N Max.  
 Retention Strength: 50N for 60s $\pm$ 5s  
 Mates With Modular Plug Conforming To FCC Part 68, Subpart F

Wave Soldering Temperature: 245°C  $\pm$  5°C, 5s



**Section A-A**



**Recommended PCB Layout**

Tolerance :  $\pm 0.05\text{mm}$   
 Thickness: 1.60mm

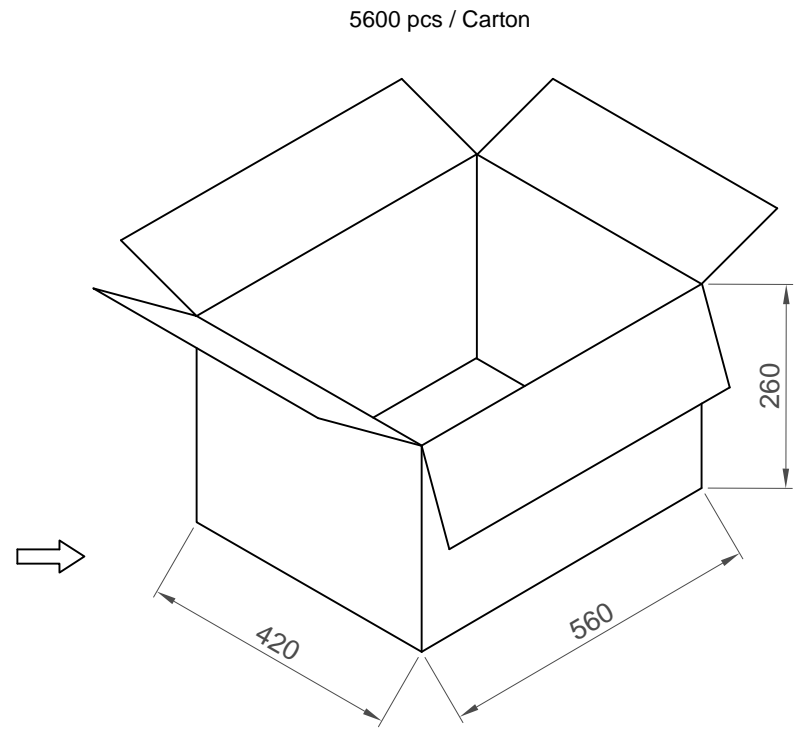
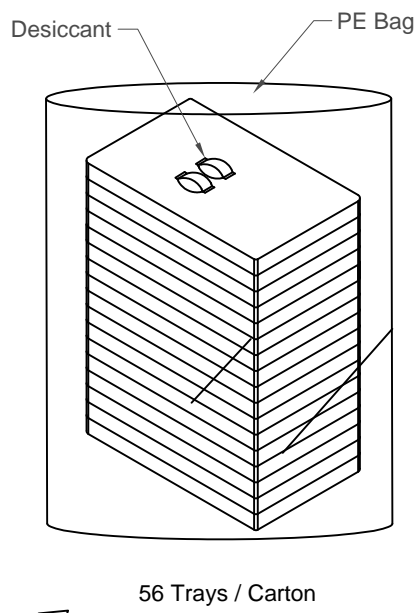
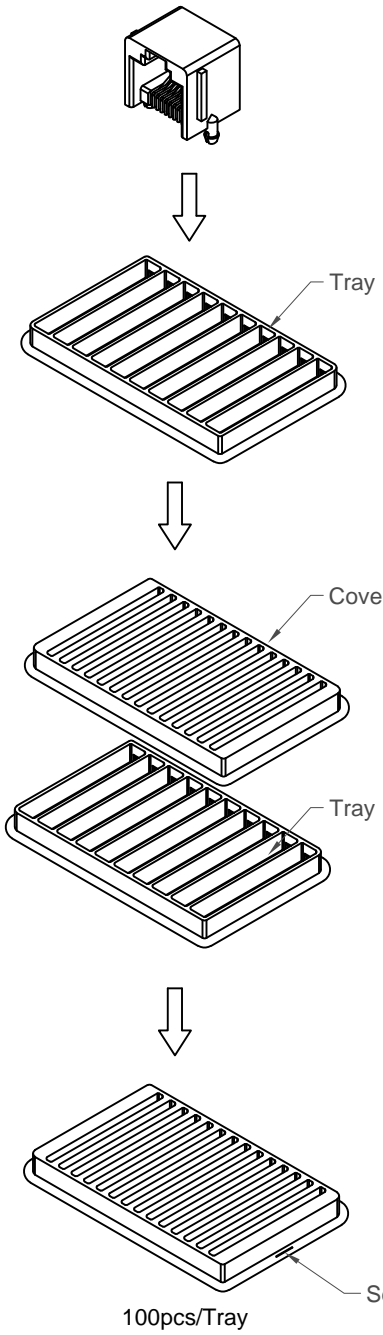
**Ordering Grid**

**MJ3225** — **88** — **0**  Request Samples and Quotation  
 No. of Positions/  
 Positions Loaded  
 88 = 8/8  
 Contact Plating  
 0 = Gold Flash




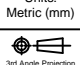
Part Number		Product Description			This drawing is confidential and copyright of Global Connector Technology, Ltd (GCT). This drawing must not be copied or disclosed without written consent. E & OE
MJ3225-88		Modular Jack Connector, 8 Position, Category 3, Right Angle, Through Hole, Standard Profile, Inverted Latch			
Drawing Date		19th March 2021			
By	CC	Tolerances (Except as Noted)	Units:		
Detail	Drawing Release	Length	Metric (mm)		
Revision	A	X.X $\pm$ 0.25	$\pm$ 0.5°		
Date	22/03/21	X.XX $\pm$ 0.20			
		X.XXX $\pm$ 0.10			
Not to Scale	Drawn By CC			Sheet No. 1/1	



H  
G  
F  
E  
D  
C  
B  
A



Pcs/Tray	Trays/Carton	Total Quantity
100	56	5600 pcs

Part Number		Product Description		 <a href="http://www.gct.co">www.gct.co</a>
MJ3225-88		Modular Jack Connector, 8 Position, Category 3, Right Angle, Through Hole, Standard Profile, Inverted Latch		
Drawing Date		19th March 2021		
By	CC	Tolerances (Except as Noted)	Units:	  This drawing is confidential and copyright of Global Connector Technology, Ltd (GCT). This drawing must not be copied or disclosed without written consent. E & OE
Detail	Drawing Release	Length	Metric (mm)	
Revision	A	X.X ± 0.25	± 0.5°	
Date	22/03/21	X.XX ± 0.20		
		X.XXX ± 0.10		
Not to Scale	Drawn By	CC	Sheet No.	1/1

1 2 3 4 5 6 7 8

## X-ON Electronics

Largest Supplier of Electrical and Electronic Components

*Click to view similar products for [Modular Connectors](#) / [Ethernet Connectors](#) category:*

*Click to view products by [GCT](#) manufacturer:*

Other Similar products are found below :

[8949-H88/06BLKA/SN](#) [74441-0010/BKN](#) [PHP-6P6C-5](#) [GAX-3-66](#) [GDCX-PN-66](#) [GLX-A-44](#) [GLX-N-1010M-BLK](#) [GLX-S-88M-BLK](#)  
[GMX-SMT4-N-88](#) [GSGX-N-2-88](#) [GSGX-N-4-88](#) [GSX-NS2-88-3.05](#) [GSX-NS-88-3.68](#) [PT-108A-8C-UL](#) [PTS-J531-8CS-50UL](#) [A-2014-0-4](#)  
[GWLX-S9-88-YG](#) [DC-1021-8-WH-6](#) [1300530003](#) [1324640-4](#) [132764-001](#) [1413235](#) [MPS88RX-5000](#) [E5288-S000K3-L](#) [155302-001](#)  
[AX101050](#) [AX101063](#) [AX101065](#) [AX101072](#) [AX101307](#) [AX101315](#) [AX101318](#) [AX102271](#) [AX102277](#) [AX102651](#) [AX102660](#) [AX104024](#)  
[203475](#) [PC4D0018P](#) [KIT38082NI](#) [8949-B88/6](#) [2-6609208-5](#) [30-8956](#) [30-8964-100](#) [SM85](#) [SM99S01VBNN04G7](#) [17-103540](#) [191587](#) [PDI-68-RV](#) [PHP-8P8C-S-5](#)