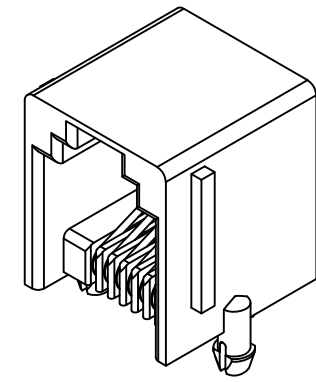
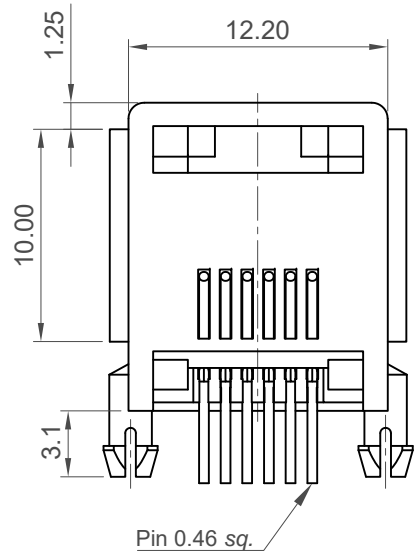


Section: A-A



Specifications

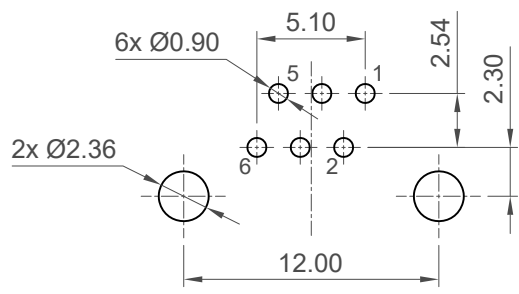
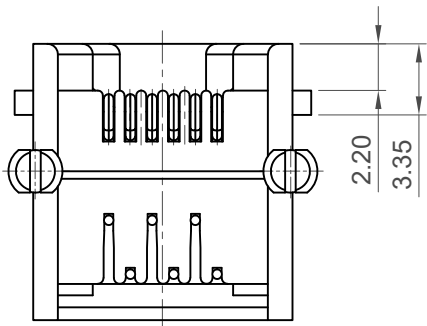
**Material**  
 Insulator: PA66, UL 94V-0, Black  
 Contact: Phosphor Bronze, Ø=0.46mm

**Plating**  
 See Ordering Grid

**Electrical**  
 Current Rating : 1.5 Amp  
 Current Voltage : 125V AC RMS  
 Contact Resistance : 20 mΩ max.  
 Insulation Resistance: 1000 MΩ min. @500V DC  
 Dielectric Withstand Voltage :  
 1000V AC/DC Peak Between Terminal to Terminal

**Mechanical & Environmental**  
 Storage Temperature : -40°C to +85°C,  
 Relative Humidity <80%  
 Operation Temperature : -40°C to +85°C  
 Operating Life : 750 Cycles Min.  
 Mating/Unmating Force: 30N Max.  
 Retention Strength: 50N for 60s±5s

Wave Soldering Temperature: 245°C ± 5°C, 5s



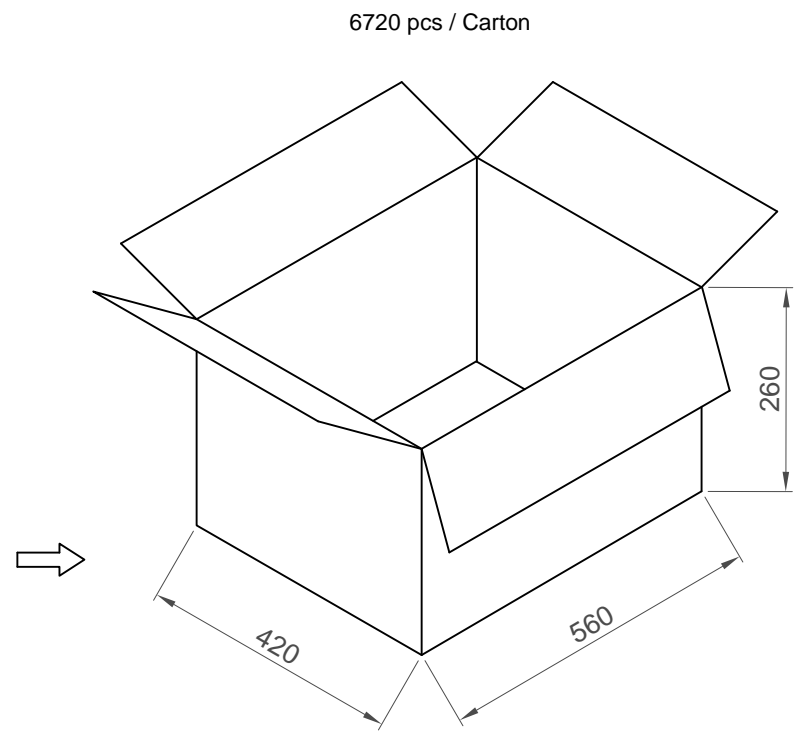
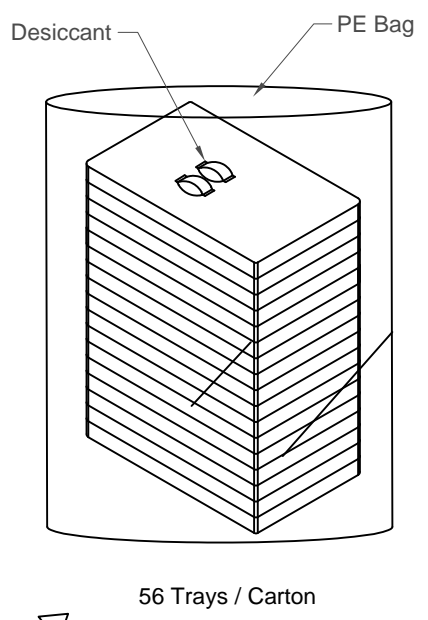
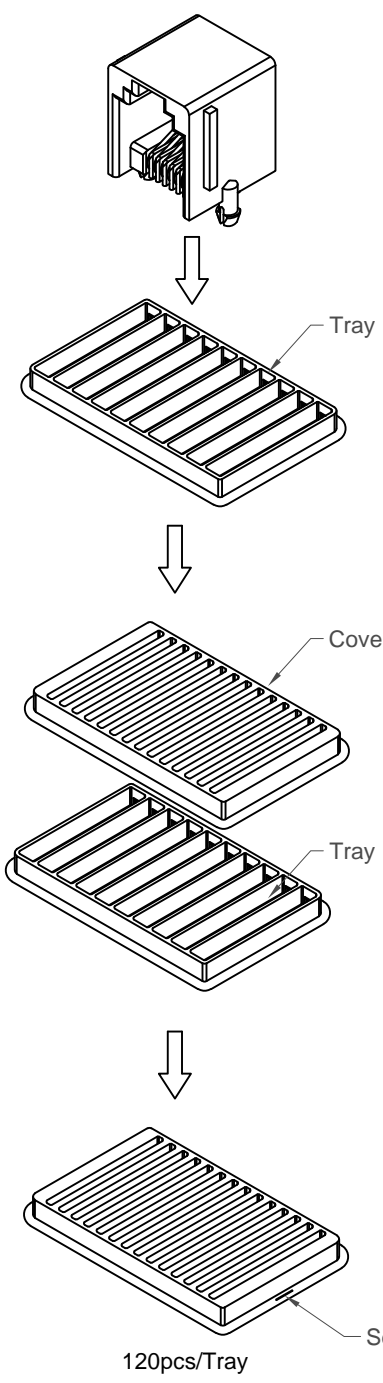
Recommended PCB Layout  
 Tolerance : ±0.05mm  
 Thickness: 1.60mm

Ordering Grid  
**MJ3235** - **66** - **0** Request Samples and Quotation  
 No. of Positions/  
 Positions Loaded  
 66 = 6/6  
 Contact Plating  
 0 = Gold Flash




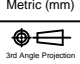
Part Number		Product Description	
MJ3235-66		Modular Jack Connector, 6 Position, Right Angle, Through Hole, Inverted Latch	
Drawing Date		2nd April 2021	
By	CC	Tolerances (Except as Noted)	Units:
Detail	Drawing Release	Length	Metric (mm)
Revision	A	X.X ± 0.25	
Date	02/04/21	X.XX ± 0.20	
		X.XXX ± 0.10	
		± 0.5°	This drawing is confidential and copyright of Global Connector Technology, Ltd (GCT). This drawing must not be copied or disclosed without written consent. E & OE



Not to Scale	Drawn By CC	Sheet No. 1/2
--------------	-------------	---------------



Pcs/Tray	Trays/Carton	Total Quantity
120	56	6720 pcs

Part Number		Product Description		 <a href="http://www.gct.co">www.gct.co</a>						
MJ3235-66		Modular Jack Connector, 6 Position, Right Angle, Through Hole, Inverted Latch								
Drawing Date		2nd April 2021								
By	CC	Tolerances (Except as Noted)	Units:	  <p>This drawing is confidential and copyright of Global Connector Technology, Ltd (GCT). This drawing must not be copied or disclosed without written consent. E &amp; OE</p>						
Detail	Drawing Release	Length	Metric (mm)							
Revision	A	X.X ± 0.25	± 0.5°							
Date	02/04/21	X.XX ± 0.20								
		X.XXX ± 0.10		<table border="1"> <tr> <td>Not to Scale</td> <td>Drawn By</td> <td>Sheet No.</td> </tr> <tr> <td></td> <td>CC</td> <td>2/2</td> </tr> </table>	Not to Scale	Drawn By	Sheet No.		CC	2/2
Not to Scale	Drawn By	Sheet No.								
	CC	2/2								

## X-ON Electronics

Largest Supplier of Electrical and Electronic Components

*Click to view similar products for [Modular Connectors](#) / [Ethernet Connectors](#) category:*

*Click to view products by [GCT](#) manufacturer:*

Other Similar products are found below :

[8949-H88/06BLKA/SN](#) [74441-0010/BKN](#) [PHP-6P6C-5](#) [GAX-3-66](#) [GDCX-PN-66](#) [GLX-A-44](#) [GLX-N-1010M-BLK](#) [GLX-S-88M-BLK](#)  
[GMX-SMT4-N-88](#) [GSGX-N-2-88](#) [GSGX-N-4-88](#) [GSX-NS2-88-3.05](#) [GSX-NS-88-3.68](#) [PT-108A-8C-UL](#) [PTS-J531-8CS-50UL](#) [A-2014-0-4](#)  
[GWLX-S9-88-YG](#) [DC-1021-8-WH-6](#) [1300530003](#) [1324640-4](#) [132764-001](#) [1413235](#) [MPS88RX-5000](#) [E5288-S000K3-L](#) [155302-001](#)  
[AX101050](#) [AX101063](#) [AX101065](#) [AX101072](#) [AX101307](#) [AX101315](#) [AX101318](#) [AX102271](#) [AX102277](#) [AX102651](#) [AX102660](#) [AX104024](#)  
[203475](#) [PC4D0018P](#) [KIT38082NI](#) [8949-B88/6](#) [2-6609208-5](#) [30-8956](#) [30-8964-100](#) [SM85](#) [SM99S01VBNN04G7](#) [17-103540](#) [191587](#) [PDI-68-RV](#) [PHP-8P8C-S-5](#)