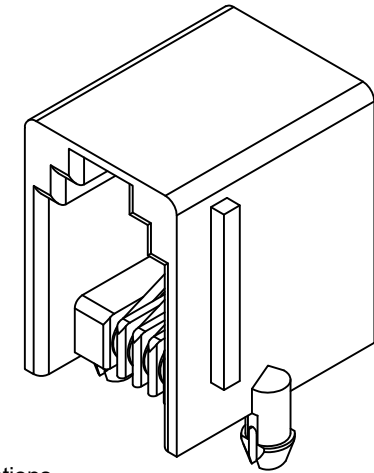
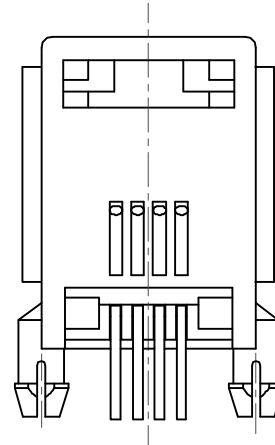


Section: A-A



Specifications

Material

Insulator: PBT, UL 94V-0, Black

Contact: Phosphor Bronze, $\varnothing=0.46\text{mm}$

Plating

See Ordering Grid

Electrical

Current Rating : 1.5 Amp

Current Voltage : 150V AC RMS

Contact Resistance : 20 m Ω max.

Insulation Resistance: 1000 M Ω min. @500V DC

Dielectric Withstand Voltage :

1000V AC/DC Peak Between Terminal to Terminal

Mechanical & Environmental

Storage Temperature : -40°C to +85°C,

Relative Humidity <80%

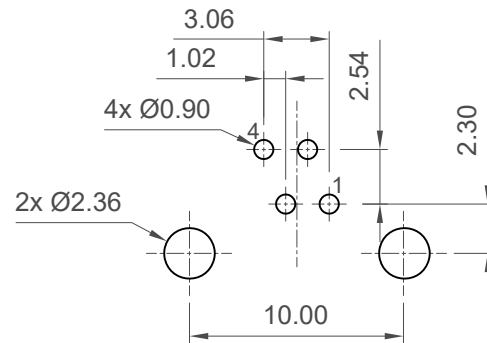
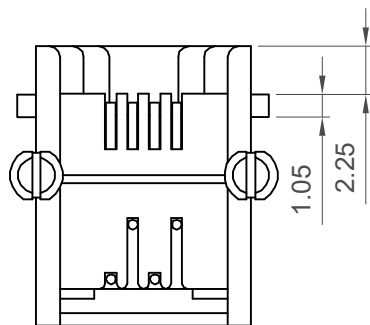
Operation Temperature : -40°C to +85°C

Operating Life : 750 Cycles Min.

Mating/Unmating Force: 30N Max.

Retention Strength: 50N for 60s \pm 5s

Wave Soldering Temperature: 245°C \pm 5°C, 5s



Recommended PCB Layout

Tolerance : $\pm 0.05\text{mm}$

Thickness: 1.60mm

Ordering Grid

MJ3250 = 44 = 0

No. of Positions/
Positions Loaded
44 = 4/4

Contact Plating
0 = Gold Flash

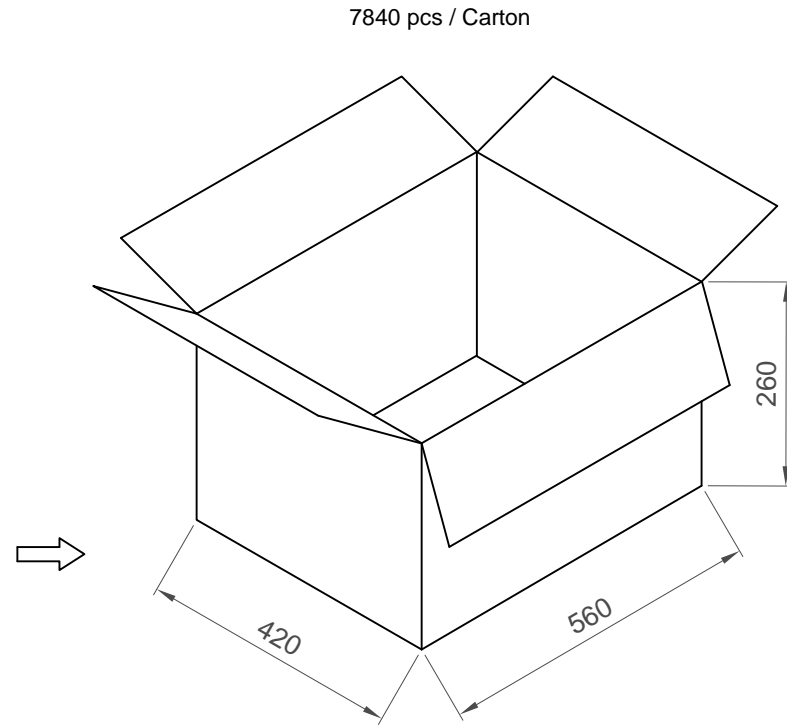
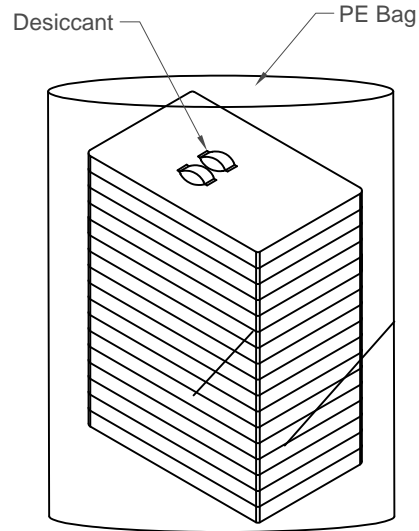
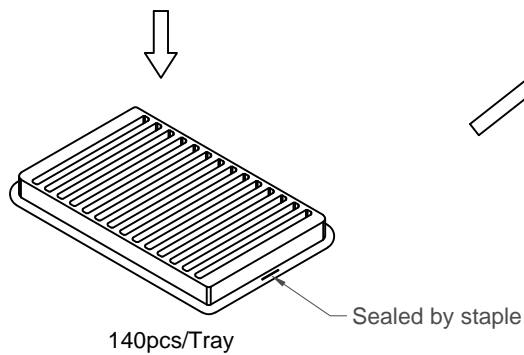
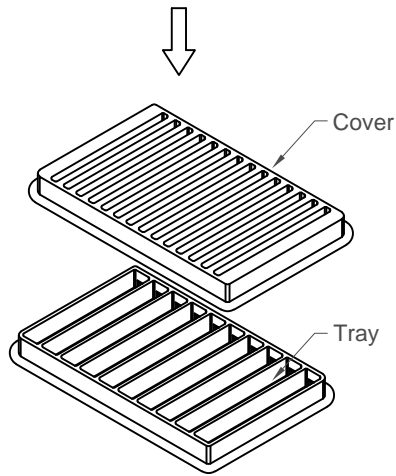
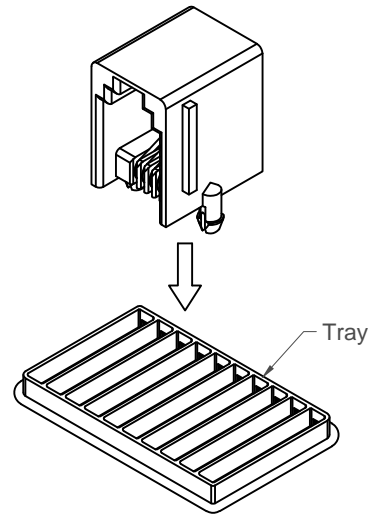
Part Number		Product Description	
MJ3250-44		Modular Jack Connector, 4 Position, Right Angle, Through Hole, Inverted Latch	
Drawing Date		9th April 2021	
By	CC	Tolerances (Except as Noted)	Units:
Detail	Drawing Release	Length X.X \pm 0.20 X.XX \pm 0.15 X.XXX \pm 0.10	Metric (mm)
Revision	A	Angle $\pm 1^\circ$	
Date	09/04/21		






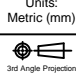
This drawing is confidential and copyright of Global Connector Technology, Ltd (GCT). This drawing must not be copied or disclosed without written consent. E & OE



Not to Scale	Drawn By CC	Sheet No. 1/2
--------------	----------------	------------------



Pcs/Tray	Trays/Carton	Total Quantity
140	56	7840 pcs

Part Number		Product Description		 www.gct.co
MJ3250-44		Modular Jack Connector, 4 Position, Right Angle, Through Hole, Inverted Latch		
Drawing Date		9th April 2021		
By	CC	Tolerances (Except as Noted)	Units:	  This drawing is confidential and copyright of Global Connector Technology, Ltd (GCT). This drawing must not be copied or disclosed without written consent. E & OE
Detail	Drawing Release	Length	Angle	
Revision	A	X.X ± 0.20	± 1°	
Date	09/04/21	X.XX ± 0.15	X.XXX ± 0.10	
		 3rd Angle Projection		Not to Scale Drawn By CC
				Sheet No. 2/2

X-ON Electronics

Largest Supplier of Electrical and Electronic Components

Click to view similar products for [Modular Connectors](#) / [Ethernet Connectors](#) category:

Click to view products by [GCT](#) manufacturer:

Other Similar products are found below :

[8949-H88/06BLKA/SN](#) [74441-0010/BKN](#) [PHP-6P6C-5](#) [GAX-3-66](#) [GDCX-PN-66](#) [GLX-A-44](#) [GLX-N-1010M-BLK](#) [GLX-S-88M-BLK](#)
[GMX-SMT4-N-88](#) [GSGX-N-2-88](#) [GSGX-N-4-88](#) [GSX-NS2-88-3.05](#) [GSX-NS-88-3.68](#) [PT-108A-8C-UL](#) [PTS-J531-8CS-50UL](#) [A-2014-0-4](#)
[GWLX-S9-88-YG](#) [DC-1021-8-WH-6](#) [1300530003](#) [1324640-4](#) [132764-001](#) [1413235](#) [MPS88RX-5000](#) [E5288-S000K3-L](#) [155302-001](#)
[AX101050](#) [AX101063](#) [AX101065](#) [AX101072](#) [AX101307](#) [AX101315](#) [AX101318](#) [AX102271](#) [AX102277](#) [AX102651](#) [AX102660](#) [AX104024](#)
[203475](#) [PC4D0018P](#) [KIT38082NI](#) [8949-B88/6](#) [2-6609208-5](#) [30-8956](#) [30-8964-100](#) [SM85](#) [SM99S01VBNN04G7](#) [17-103540](#) [191587](#) [PDI-68-RV](#) [PHP-8P8C-S-5](#)