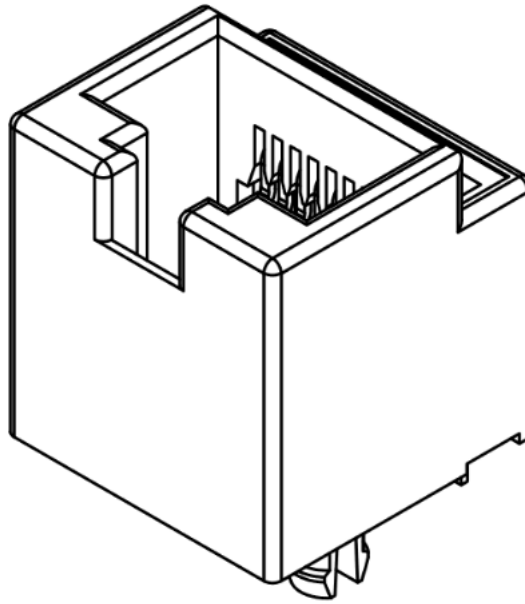


PRODUCT SPECIFICATION

Part Number	MJ3415	Rev	A	Date	26/10/23		
Product Description	Mod Jack, 8P8C, Vertical, Through Hole				Page	1	
Doc Number	MJ3415	Prepared	YR	Checked	CC	Approved	PH



PRODUCT SPECIFICATION

Part Number	MJ3415	Rev	A	Date	26/10/23		
Product Description	Mod Jack, 8P8C, Vertical, Through Hole				Page	2	
Doc Number	MJ3415	Prepared	YR	Checked	CC	Approved	PH

1.0 SCOPE

This specification covers performance, tests and quality requirements for the Modular Jack, 8P8C, Vertical, Through Hole, MJ3415.

2.0 PRODUCT NAME AND PART NUMBER

Modular Jack Connector – MJ3415-88-2

3.0 PRODUCT SHAPE, DIMENSIONS AND MATERIAL

Please refer to drawing.

4.0 RATINGS

Current rating	1.5 A
Voltage rating	125 V AC
Storage Temperature.....	-10°C to +40°C
Operating Temperature Range	-40°C to +85°C

5.0 TEST AND MEASUREMENT CONDITIONS

Product is designed to meet electrical, mechanical and environmental performance requirements specified in Paragraph 6.0. All tests are performed under the following conditions unless otherwise specified.

PRODUCT SPECIFICATION

Part Number	MJ3415	Rev	A	Date	26/10/23		
Product Description	Mod Jack, 8P8C, Vertical, Through Hole				Page	3	
Doc Number	MJ3415	Prepared	YR	Checked	CC	Approved	PH

6.0 PERFORMANCE

Item	Test Condition	Requirement
Examination of Product	Visual, dimensional and functional inspection as per quality plan.	Product shall meet requirements of product drawing and specification.

6.1 Electrical Performance

Item	Test Condition	Requirement
Contact Resistance	Measure the resistance between input and output and in accordance with EIA-364-23	35 mΩ Max.
Insulation Resistance	Apply 500vdc between adjacent terminals and in accordance with EIA-364-21	1000 MΩ Min.
Dielectric Strength	Apply 1000VAC for 1 minute between adjacent terminals and in accordance with EIA-364-20	No breakdown

6.2 Mechanical Performance

Item	Test Condition	Requirement
Durability	750 Cycles in accordance with EIA-364-09	No damage $\Delta R \leq 10m\Omega$
Solderability Test	Soldering Time: 4-5 seconds at a solder temperature of $245 \pm 5^\circ C$ and in accordance with EIA-364-52	95% minimum Solder Area
Resistance to Soldering Heat Test	Soldering Time: 4-5 seconds at a Temperature of $360 \pm 10^\circ C$ and in accordance with EIA-364-56	No damage
Vibration Test	1.5mm, 10+55-10Hz per minute, 2hours for each X.Y and Z directions and in accordance with EIA-364-28	Discontinuity 1μ s Max.
Mechanical Shock	The testing duration is 3 Times per axis which include x. y. z axis. The condition of shock strength is 50g and the continuity time of pulse is 11ms.	Discontinuity 1μ s Max.

PRODUCT SPECIFICATION

Part Number	MJ3415	Rev	A	Date	26/10/23		
Product Description	Mod Jack, 8P8C, Vertical, Through Hole				Page	4	
Doc Number	MJ3415	Prepared	YR	Checked	CC	Approved	PH

Item	Test Condition	Requirement
Mating/Unmating Force	Insertion speed at 25 ±3mm per minute and in accordance with EIA-364-13	30N Max.
Plug to Jack Retention	Plug shall not dislodge from Jack In accordance with EIA-364-35	50N Min.

6.3 Environmental Performance and Others

Item	Test Condition	Requirement
Low temperature	-40 ±2°C, 96 hours In accordance with EIA-364-59	No damage, ΔR≤10mΩ
Temperature life	+85 ±2°C, 96 hours In accordance with EIA-364-17	No damage, ΔR≤10mΩ
Humidity	+40 ±2°C, 90~95% RH, 96 hours In accordance with EIA-364-31	No damage, ΔR≤10mΩ
Salt Spray	+35 ±2°C consistency 5 ±1%, 48 hours In accordance with EIA-364-26	No corrosion, ΔR≤10mΩ

PRODUCT SPECIFICATION

Part Number	MJ3415	Rev	A	Date	26/10/23
Product Description	Mod Jack, 8P8C, Vertical, Through Hole			Page	5
Doc Number	MJ3415	Prepared	YR	Checked	CC
				Approved	PH

7.0 TEST GROUP AND SEQUENCE

Item	Description	Test Group								
		A	B	C	D	E	F	G	H	I
		Test Sequence								
1	Examination or product	1, 7	1, 9	1, 4	1, 3	1, 5	1, 5	1, 5	1,3	1,3
2	Contact resistance	2, 6	2, 6			2, 4	2, 4	2, 4		
3	Insulation resistance		3, 7							
4	Dielectric strength		4, 8							
5	Solderability								2	
6	Resistance to soldering Heat Test									2
7	Vibration			2						
8	Mechanical Shock			3						
9	Durability	4								
10	Mating / Unmating force	3, 5								
11	Plug to Jack retention				2					
12	Low temperature					3				
13	Temperature life						3			
14	Humidity		5							
15	Salt spray							3		
	Sample Size (pcs)	3	3	3	3	3	3	3	3	3

Revision details:

Revision	Information	Page	Release Date
0.1	First draft	-	19/09/2023
0.2	-update mechanical shock test condition - Adjust test sequence	3&5	08/10/2023
A	First Release		26/10/2023

X-ON Electronics

Largest Supplier of Electrical and Electronic Components

Click to view similar products for [Modular Connectors](#) / [Ethernet Connectors](#) category:

Click to view products by [GCT](#) manufacturer:

Other Similar products are found below :

[8949-H88/06BLKA/SN](#) [74441-0010/BKN](#) [PHP-6P6C-5](#) [GAX-3-66](#) [GDCX-PN-66](#) [GLX-A-44](#) [GLX-N-1010M-BLK](#) [GLX-S-88M-BLK](#)
[GMX-SMT4-N-88](#) [GSGX-N-2-88](#) [GSGX-N-4-88](#) [GSX-NS2-88-3.05](#) [GSX-NS-88-3.68](#) [PT-108A-8C-UL](#) [PTS-J531-8CS-50UL](#) [A-2014-0-4](#)
[GWLX-S9-88-YG](#) [DC-1021-8-WH-6](#) [1300530003](#) [1324640-4](#) [132764-001](#) [1413235](#) [MPS88RX-5000](#) [E5288-S000K3-L](#) [155302-001](#)
[AX101050](#) [AX101063](#) [AX101065](#) [AX101072](#) [AX101307](#) [AX101315](#) [AX101318](#) [AX102271](#) [AX102277](#) [AX102651](#) [AX102660](#) [AX104024](#)
[203475](#) [PC4D0018P](#) [KIT38082NI](#) [8949-B88/6](#) [2-6609208-5](#) [30-8956](#) [30-8964-100](#) [SM85](#) [SM99S01VBNN04G7](#) [17-103540](#) [191587](#) [PDI-68-RV](#) [PHP-8P8C-S-5](#)