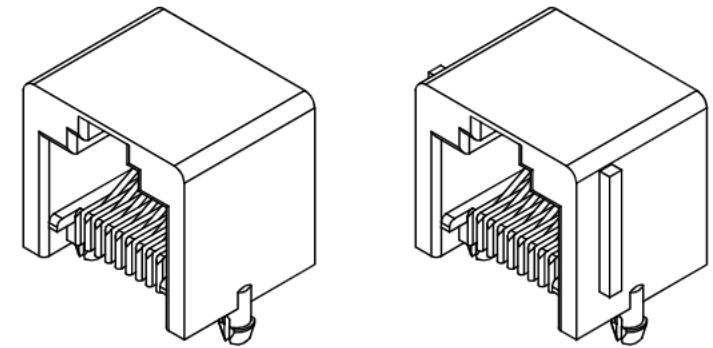


Recommended PCB Layout
Tolerance : ±0.05mm
Thickness: 1.60mm



Specifications

Material
Insulator: PBT, UL 94V-0, Black
Contact: Phosphor Bronze, Ø=0.46mm

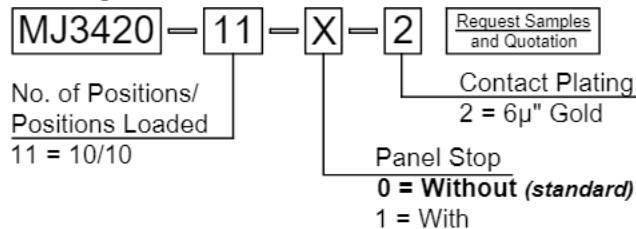
Plating
Contact: 6u" Gold All Over
Underplating: 60u" min. Nickel All Over

Electrical
Current Rating : 1.5 Amp
Current Voltage : 125V AC RMS
Contact Resistance : 35 mΩ max.
Insulation Resistance: 1000 MΩ min. @500V DC
Dielectric Withstand Voltage :
1000V AC RMS, 60HZ 1 minute

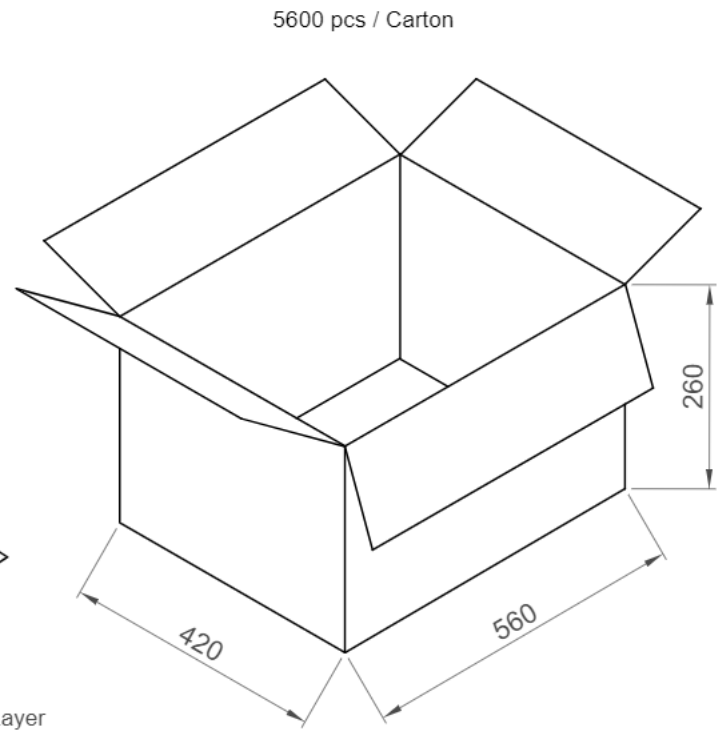
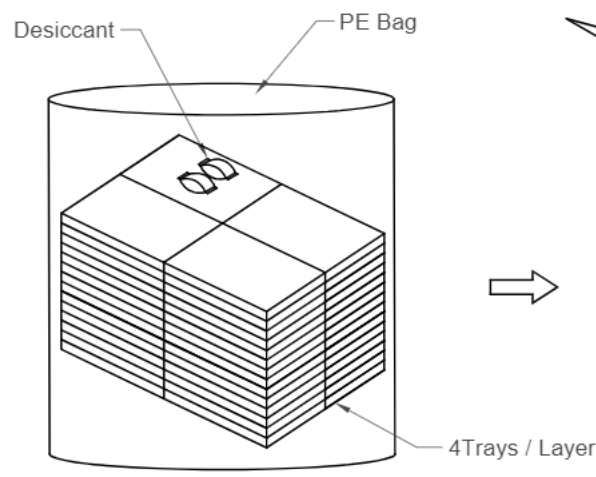
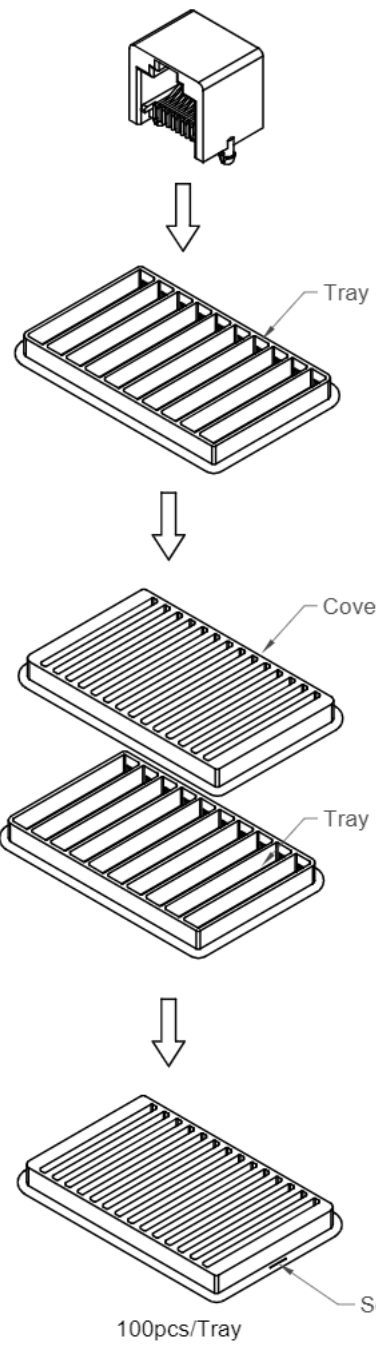
Mechanical & Environmental
Storage Temperature : -10°C to +40°C,
Relative Humidity <80%
Operation Temperature : -40°C to +85°C
Operating Life : 750 Cycles Min.
Mating/Unmating Force: 30N Max.
Retention Strength: 50N Min.

Wave Soldering Temperature: 245°C ± 5°C, 5s

Ordering Grid





Part Number		Product Description		 www.gct.co
MJ3420-11		Modular Jack, 10P10C, Horizontal, Through Hole		
Drawing Date		26th October 2023		
By	CC	Tolerances (Except as Noted)	Units:	 This drawing is confidential and copyright of Global Connector Technology, Ltd (GCT). This drawing must not be copied or disclosed without written consent. E & OE
Detail	Drawing Release	X.X ± 0.25	Angle	
Revision	A	X.XX ± 0.20	± 0.5°	
Date	26/10/23	X.XXX ± 0.10	3rd Angle Projection	
Not to Scale	Drawn By	CC	Sheet No.	1/2



56 Trays / Carton

Pcs/Tray	Trays/Carton	Total Quantity
100	56	5600 pcs

Part Number		Product Description		 www.gct.co		
MJ3420-11		Modular Jack, 10P10C, Horizontal, Through Hole				
Drawing Date						
26th October 2023						
By	CC	Tolerances (Except as Noted)	Units:	 © This drawing is confidential and copyright of Global Connector Technology, Ltd (GCT). This drawing must not be copied or disclosed without written consent. E & OE		
Detail	Drawing Release	Length	Metric (mm)			
Revision	A	X.X ± 0.25	± 0.5°			
Date	26/10/23	X.XX ± 0.20	3rd Angle Projection			
		X.XXX ± 0.10		Not to Scale	Drawn By	Sheet No.
				CC	2/2	

X-ON Electronics

Largest Supplier of Electrical and Electronic Components

Click to view similar products for [Modular Connectors](#) / [Ethernet Connectors](#) category:

Click to view products by [GCT manufacturer](#):

Other Similar products are found below :

[8949-H88/06BLKA/SN](#) [74441-0010/BKN](#) [PHP-6P6C-5](#) [GAX-3-66](#) [GDCX-PN-66](#) [GLX-A-44](#) [GLX-N-1010M-BLK](#) [GLX-S-88M-BLK](#)
[GMX-SMT4-N-88](#) [GSGX-N-2-88](#) [GSGX-N-4-88](#) [GSX-NS2-88-3.05](#) [GSX-NS-88-3.68](#) [PT-108A-8C-UL](#) [PTS-J531-8CS-50UL](#) [A-2014-0-4](#)
[GWLX-S9-88-YG](#) [DC-1021-8-WH-6](#) [1300530003](#) [1324640-4](#) [132764-001](#) [1413235](#) [MPS88RX-5000](#) [E5288-S000K3-L](#) [155302-001](#)
[AX101050](#) [AX101063](#) [AX101065](#) [AX101072](#) [AX101307](#) [AX101315](#) [AX101318](#) [AX102271](#) [AX102277](#) [AX102651](#) [AX102660](#) [AX104024](#)
[203475](#) [PC4D0018P](#) [KIT38082NI](#) [8949-B88/6](#) [2-6609208-5](#) [30-8956](#) [30-8964-100](#) [SM85](#) [SM99S01VBNN04G7](#) [17-103540](#) [191587](#) [PDI-68-RV](#) [PHP-8P8C-S-5](#)