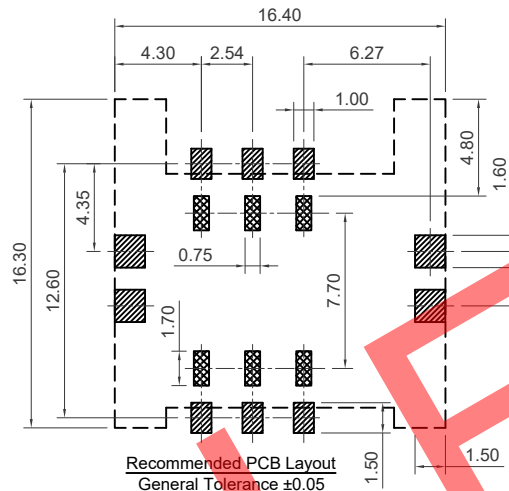


Section A-A

- C1 → VCC
- C2 → RST
- C3 → CLK
- C5 → GND
- C6 → V<sub>pp</sub>
- C7 → I/O



Recommended PCB Layout  
General Tolerance ±0.05

as viewed from component side

- Solder Area
- Keep Out Area
- Component Outline

Specifications 规格:

Material 物料规格:

Plastic Housing 塑胶外壳: LCP(MG350) UL94V-0, Black LCP 高温塑胶, 黑色  
 Contact Terminal 接触端子: Phosphor Bronze (T=0.15±0.01mm) 磷青铜  
 Metallic Shell 金属外壳: Stainless Steel(SUS304R-H,T=0.15mm) 不锈钢

Plating 电镀规格:

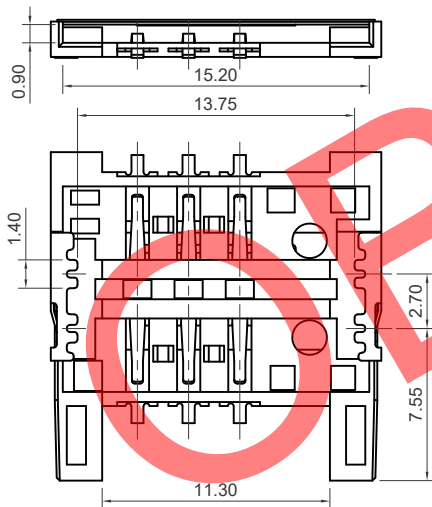
Contact Terminal plating 端子电镀:  
 Under-plating 底层电镀: 50µ" min. Nickel over all 全部镀镍最少50µ"  
 Contact Area 接触区: 15µ" Gold 镀金15µ"  
 Soldering Area 焊接区: Gold Flash 镀闪金  
 Metallic Shell plating 金属外壳电镀:  
 Under-plating 底层电镀: Nickel all over 全部镀镍  
 Soldering Area 焊接区: Gold Flash 镀闪金

Electrical 电气规格:

Voltage rating 电压额定值: 250 V (R.M.S.) max.  
 Current rating 电流额定值: 1 A max.  
 Operating Temperature 工作温度: -55°C to +105°C  
 Contact Resistance 接触电阻值: 50 mΩ max.  
 Insulating Resistance 绝缘电阻值: 100 MΩ min. (Apply 施加250 V DC)  
 Dielectric Withstand Voltage 介电耐压: Current Leakage 漏电流 0.5 mA  
 (Apply 500 V AC for 1 minute 施加500 V AC共1分钟)

Mechanical 机械性规格:

Durability 耐久性: 5,000 cycles 5,000 次插拔  
 Contact Normal Force 端子正向力: 50gf/Pin  
 Contact Retention Force 端子保持力: 50gf/Pin



Ordering Grid



No. of Contacts  
6

Switch  
0 = Without

Packing Options

A = Tape & Reel (1k per Reel)

Profile Height  
18 = 1.8mm (Standard)  
22 = 2.2mm

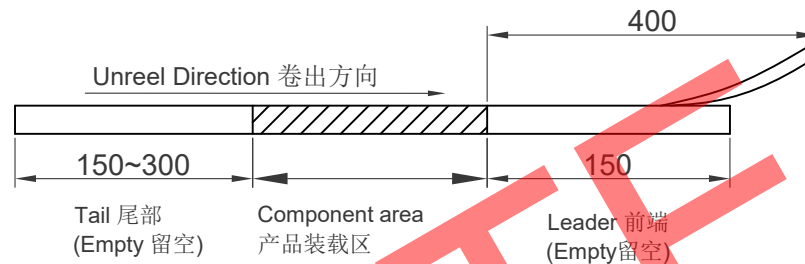
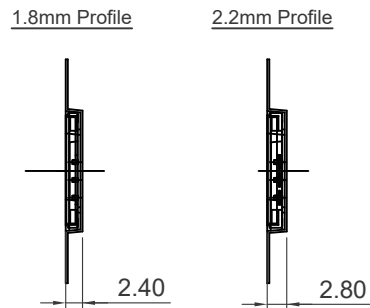
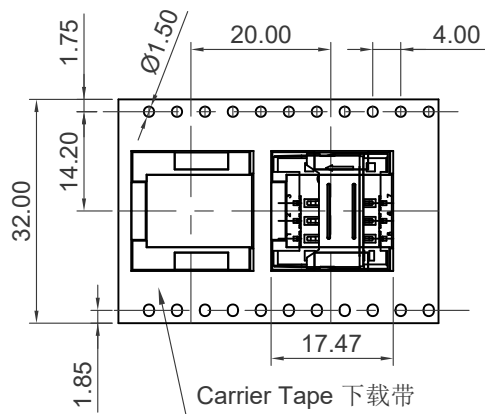
Part Number		Product Description	
SIM2055		SIM Card Connector, Receiver Type	
Drawing Date		6 Pin, SMT, 1.8mm or 2.2mm Profile	
23rd August 2007			
By	AJO	Tolerances (Except as Noted)	Units:
Detail	SIM2055	Length	Metric (mm)
	X PCN	X. ± 0.50	
Revision	X	X.X ± 0.30	X° ± 2°
Date	12/11/21	X.XX ± 0.20	X.X° ± 1°



This drawing is confidential and copyright of Global Connector Technology, Ltd (GCT). This drawing must not be copied or disclosed without written consent. E & OE



Not to Scale	Drawn By PKN	Sheet No. 1/2
--------------	--------------	---------------



Unreel Direction 卷出方向

Cover Tape 上载带

Label 标签

Connector 产品

Reel 卷盘

8 Reel 共8个卷盘

PE Bag PE袋

Triangle Liner 三角垫

Carton 纸箱

Label 标签

Label 标签

Tape 透明胶带

Part	Specification	Q'ty
Connector 产品		8000 Pcs
Reel 卷盘	OD330 mm, ID100 mm, H 40 mm	1000 Pcs
Cover Tape 上载带	W 25.5 mm, T 0.05 mm	20.0m
Carrier Tape 下载带	W 32 mm, P 20 mm, T 0.30 mm	20.6m
Triangle Liner 三角垫	150 mm*133 mm*67 mm (T=3 mm)	4 Pcs
Carton 纸箱	L 350 mm * W350 mm * H325 mm	1 Pcs
PE bag PE袋		1 Pcs

Part Number SIM2055		Product Description SIM Card Connector, Receiver Type 6 Pin, SMT, 1.8mm or 2.2mm Profile	
Drawing Date 23rd August 2007			
By AJO	Tolerances (Except as Noted)	Units: Metric (mm)	<p>This drawing is confidential and copyright of Global Connector Technology, Ltd (GCT). This drawing must not be copied or disclosed without written consent. E &amp; OE</p>
Detail SIM2055 X PCN	Length X. ± 0.25 X.X ± 0.20 X.XX ± 0.15 X.XXX ± 0.10	Angle X.° ± 3° X.X° ± 2.5° X.XX° ± 2° X.XXX° ± 1.5°	
Revision X	3rd Angle Projection		
Date 14/07/14			

Not to Scale | Drawn By PKN | Sheet No. 2/2

## X-ON Electronics

Largest Supplier of Electrical and Electronic Components

*Click to view similar products for [Memory Card Connectors](#) category:*

*Click to view products by [GCT](#) manufacturer:*

Other Similar products are found below :

[M21-033321-005](#) [6407-249V-25273P](#) [6407-249V-25343P](#) [6426-201-21343](#) [69.920.0553.0](#) [FCN-568P068-G/07-4V](#) [809180410000000](#)  
[HMCAP001](#) [252-0144-000](#) [2041353-2](#) [33CFAE-DN](#) [502431-1011](#) [617230001](#) [NX1-32T-KT3K\(05\)](#) [95622-003LF](#) [N7E50-U516RB-50-](#)  
[SIN0005](#) [95079-00CALF](#) [84648-056HLF](#) [33DVIR-29S12R](#) [125A-78C00](#) [MI20A-50PD-SF-EJL\(71\)](#) [KP10S-SF-PEJ\(812\)](#) [504536-0691](#)  
[504580-0691](#) [CCM03-3109 B LFT](#) [MI21-50PD-SF\(91\)](#) [2309923-1](#) [61126-050CAHLF](#) [IC1GA-68PD-1.27DS-EJ\(72\)](#) [GTFP08432B1HR](#)  
[G85DT17001P1EU](#) [G85B21611142HHR](#) [GSD090144HR](#) [G85D1140022P1HR](#) [GMCB05801124EU](#) [G85C11101152HHR](#)  
[G85B231021B1HR](#) [G85D1160022HHR](#) [123A-21M00](#) [123A-30B00](#) [123A-30A00](#) [123A-21A00](#) [123A-21B00](#) [123A-21E00](#) [123A-30E00](#)  
[123A-30M00](#) [123A-40A00](#) [123A-40E00](#) [123A-40M00](#) [123A-58B01](#)