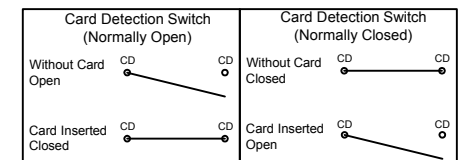
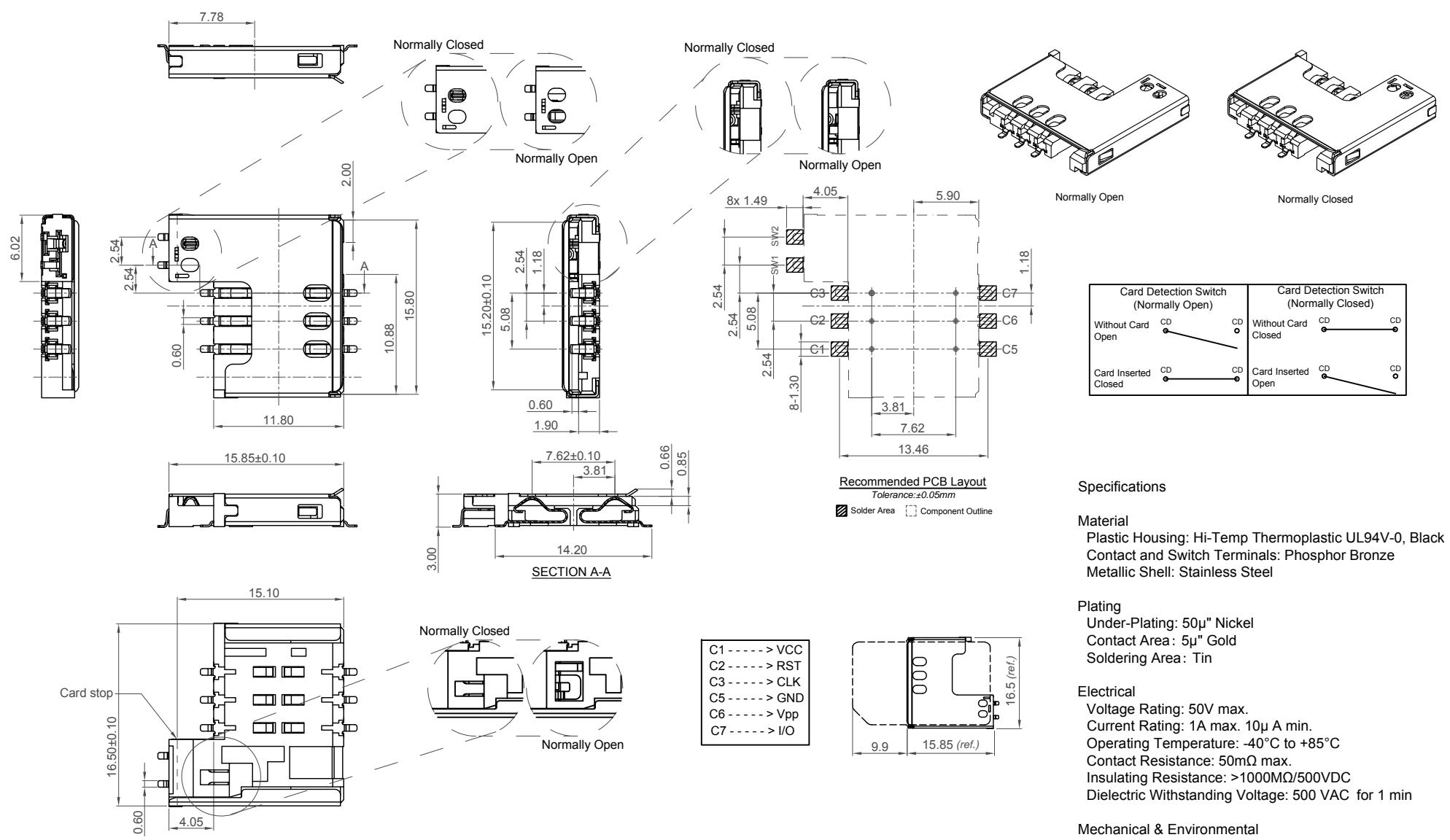


H
G
F
E
D
C
B
A



Recommended PCB Layout
Tolerance: ±0.05mm

■ Solder Area □ Component Outline

Specifications

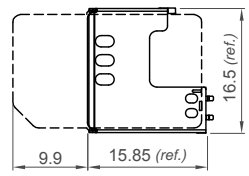
Material
Plastic Housing: Hi-Temp Thermoplastic UL94V-0, Black
Contact and Switch Terminals: Phosphor Bronze
Metallic Shell: Stainless Steel

Plating
Under-Plating: 50µ" Nickel
Contact Area: 5µ" Gold
Soldering Area: Tin

Electrical
Voltage Rating: 50V max.
Current Rating: 1A max. 10µ A min.
Operating Temperature: -40°C to +85°C
Contact Resistance: 50mΩ max.
Insulating Resistance: >100MΩ/500VDC
Dielectric Withstanding Voltage: 500 VAC for 1 min

Mechanical & Environmental
Durability: 5,000 cycles

- C1 -----> VCC
- C2 -----> RST
- C3 -----> CLK
- C5 -----> GND
- C6 -----> Vpp
- C7 -----> I/O



Ordering Grid
SIM2070 - **6** - **X** - **30** - **00** - **A** Request Samples and Quotation

No. of Contacts: 6

Switch:
1 = With - Normally Open (Standard)
0 = With - Normally Closed

Packing Options:
A = Tape & Reel (700 Pcs per Reel)

Locating Post:
00 = Without

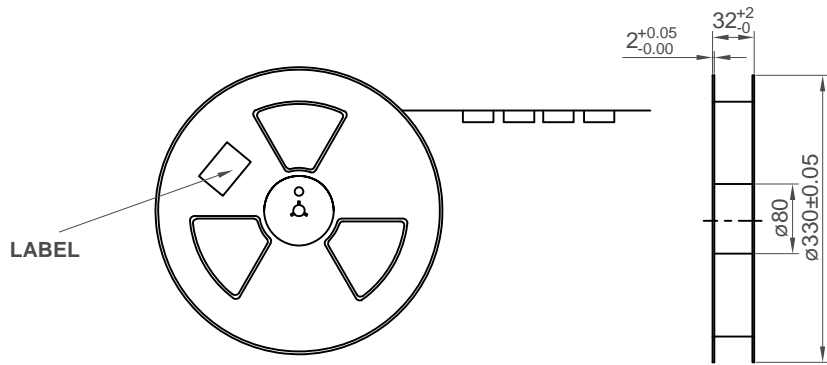
Part Number SIM2070		Product Description SIM Card Connector - 3.44mm Profile Receiver type 6 Pin, SMT, with Card Detect	
Drawing Date 5th Dec 2011			
By	CC	Tolerances (Except as Noted)	Units:
Detail	SIM2070 D PCN	Length X.X ± 0.25 X.XX ± 0.15 X.XXX ± 0.050	Metric (mm)
Revision	D2	Angle X.X° ± 1° X.X° ± 0.5°	3rd Angle Projection
Date	13/11/18	X.XX° ± 0.25°	



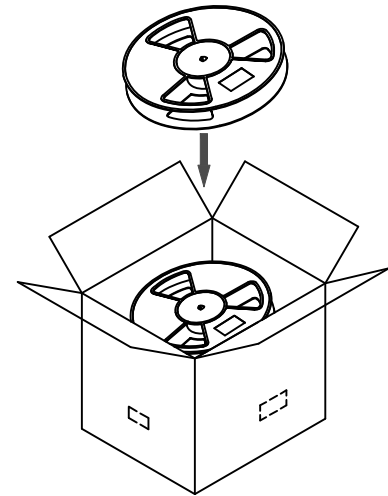
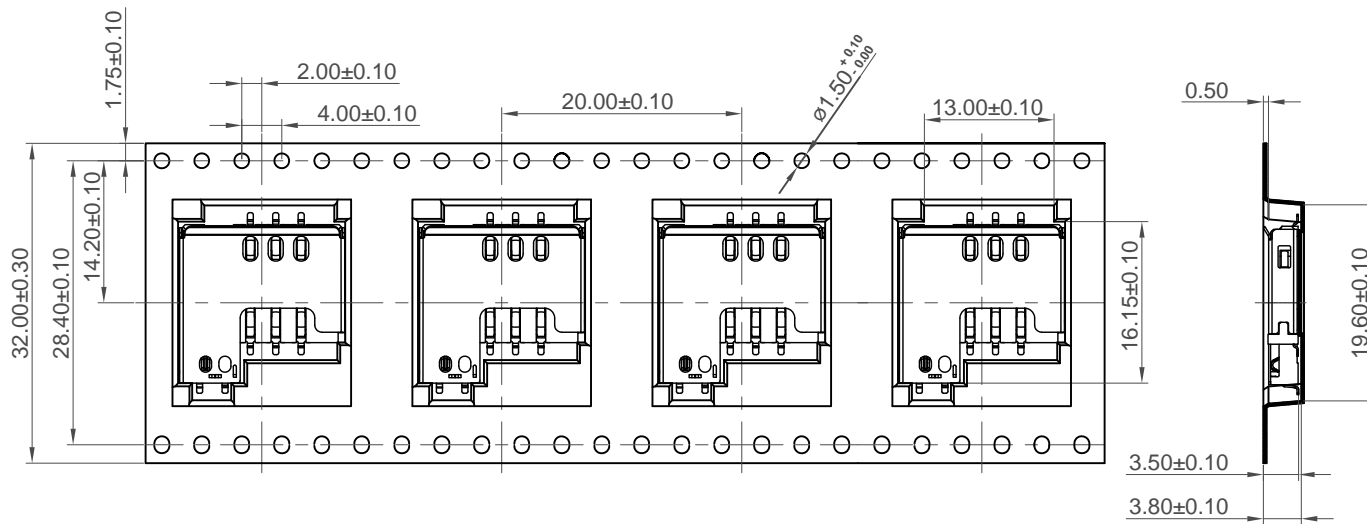
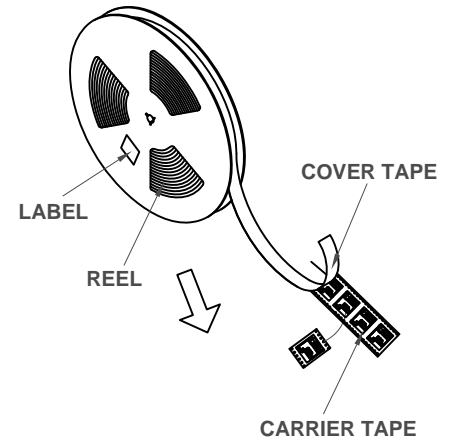
This drawing is confidential and copyright of Global Connector Technology, Ltd (GCT). This drawing must not be copied or disclosed without written consent. E & OE



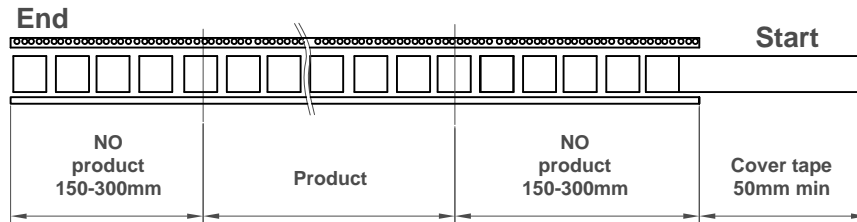
Not to Scale	Drawn By CM	Sheet No. 1/2
--------------	----------------	------------------



Gross Weight: 1.00KGS
Q'ty: 700 Pcs per Reel



Gross Weight: 8.00KGS
Quantity: 5600 Pcs per carton (8 Reels set in order)
Measure: 35.00Lx35.00Wx31.50H cm



Part Number		Product Description	
SIM2070		SIM Card Connector - 3.44mm Profile	
Drawing Date		Receiver type 6 Pin, SMT, with Card Detect	
5th Dec 2011			
By	CC	Tolerances (Except as Noted)	Units:
Detail	SIM2070	Length	Metric (mm)
	D PCN	Angle	
Revision	D2		
Date	13/11/18		



This drawing is confidential and copyright of Global Connector Technology, Ltd (GCT). This drawing must not be copied or disclosed without written consent. E & OE



Not to Scale	Drawn By CM	Sheet No. 2/2
--------------	-------------	---------------

H
G
F
E
D
C
B
A

1 2 3 4 5 6 7 8

X-ON Electronics

Largest Supplier of Electrical and Electronic Components

Click to view similar products for [Memory Card Connectors](#) category:

Click to view products by [GCT](#) manufacturer:

Other Similar products are found below :

[M21-033321-005](#) [6407-249V-25273P](#) [6407-249V-25343P](#) [6426-201-21343](#) [69.920.0553.0](#) [FCN-568P068-G/07-4V](#) [809180410000000](#)
[N7E50-7516PG-20-WF](#) [HMCAP001](#) [2041353-2](#) [33CFAE-DN](#) [502431-1011](#) [EN2997S61212BN](#) [EN2997SE61212BN](#) [617230001](#) [NX1-32T-](#)
[KT3K\(05\)](#) [95622-003LF](#) [95079-00CALF](#) [33DVIR-29S12R](#) [125A-78C00](#) [MI20A-50PD-SF-EJL\(71\)](#) [KP10S-SF-PEJ\(812\)](#) [504536-0691](#)
[504580-0691](#) [CCM03-3109 B LFT](#) [MI21-50PD-SF\(91\)](#) [2309923-1](#) [61126-050CAHLF](#) [IC1GA-68PD-1.27DS-EJ\(72\)](#) [GTFP08432B1HR](#)
[G85DT17001P1EU](#) [G85B21611142HHR](#) [GSD090144HR](#) [G85D1140022P1HR](#) [GMCB05801124EU](#) [G85C11101152HHR](#)
[G85B231021B1HR](#) [G85D1160022HHR](#) [112K-TAA0-RA1](#) [115S-ACA2](#) [115S-ACA3](#) [115S-BS00](#) [115S-BT00](#) [115V-AD00](#) [MCSP-Q1-08-A-](#)
[SG-T/R](#) [503960-0695](#) [101B-TAA0-R](#) [101D-TAAA-R01](#) [101D-TAAB-R01](#) [104D-TCA0-R06](#)