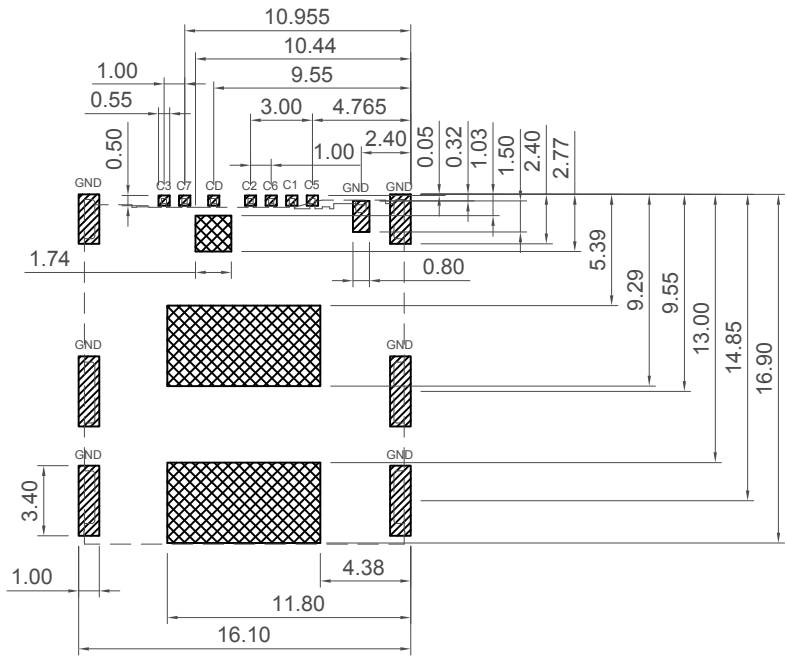
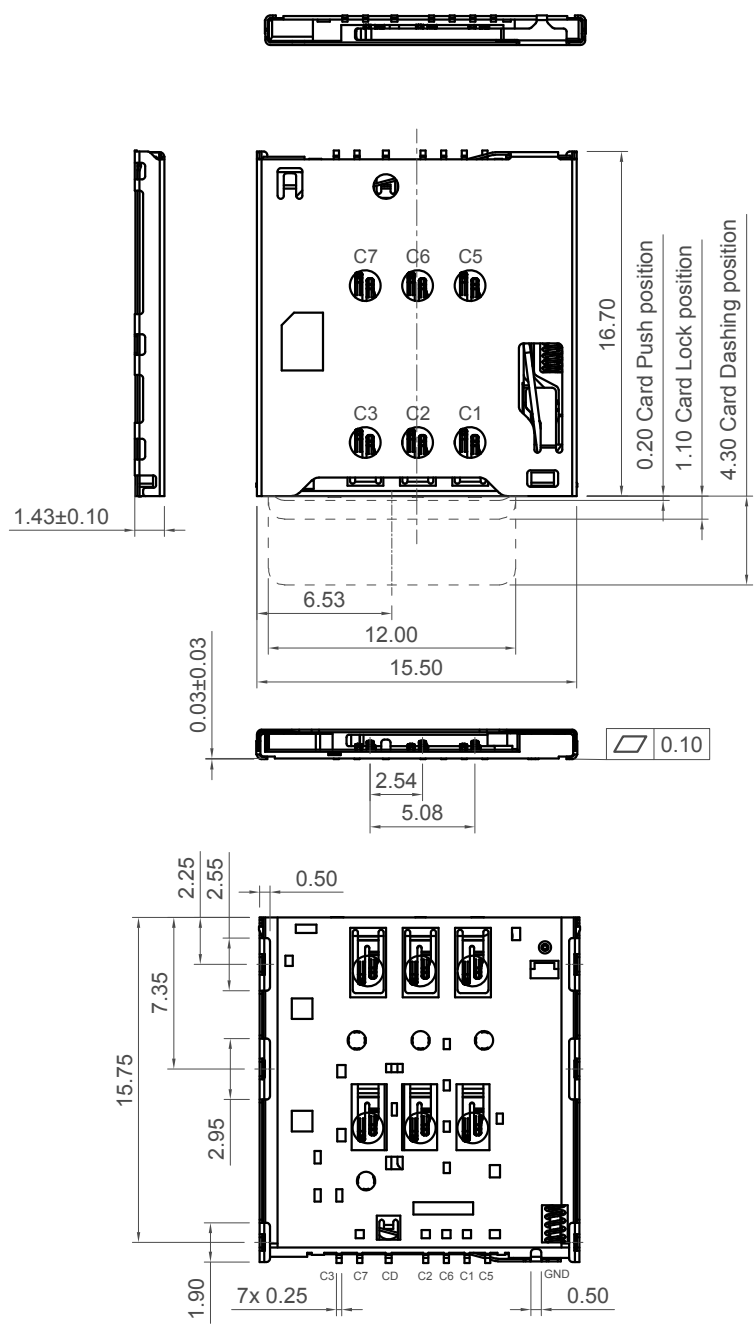
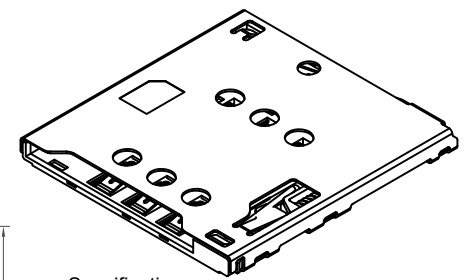


H  
G  
F  
E  
D  
C  
B  
A



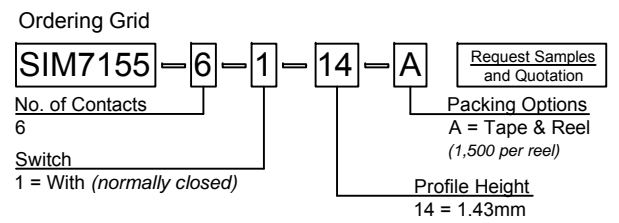
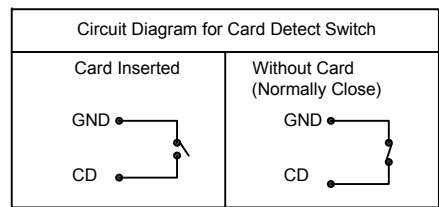
**Recommended PCB Layout**  
 General Tolerance  $\pm 0.05$   
 Locating peg holes only applicable to locating peg version  
 [Hatched] Solder Area [Cross-hatched] Keep Out Area [Dashed] Component Outline



**Specification:**  
**Material:**  
 Housing: LCP, S475, UL94V-0, Black  
 Slider: LCP, MG350, UL94V-0, Black  
 Contact Terminal: Copper Alloy, C5210-EH  
 Shell: Stainless Steel, SUS304  
 Link: Stainless Steel, USB304  
 Spring: Stainless Steel, SWP-B

**Plating:**  
**Contact Terminal:**  
 Contact Area: Gold Flash  
 Solder area: Gold Flash  
 Underplating: Ni overall 50 $\mu$  min.  
**Shell:** Ni overall, 50 $\mu$  min.  
 Solder area: Gold Flash  
**Link & Spring:** Heating Treatment

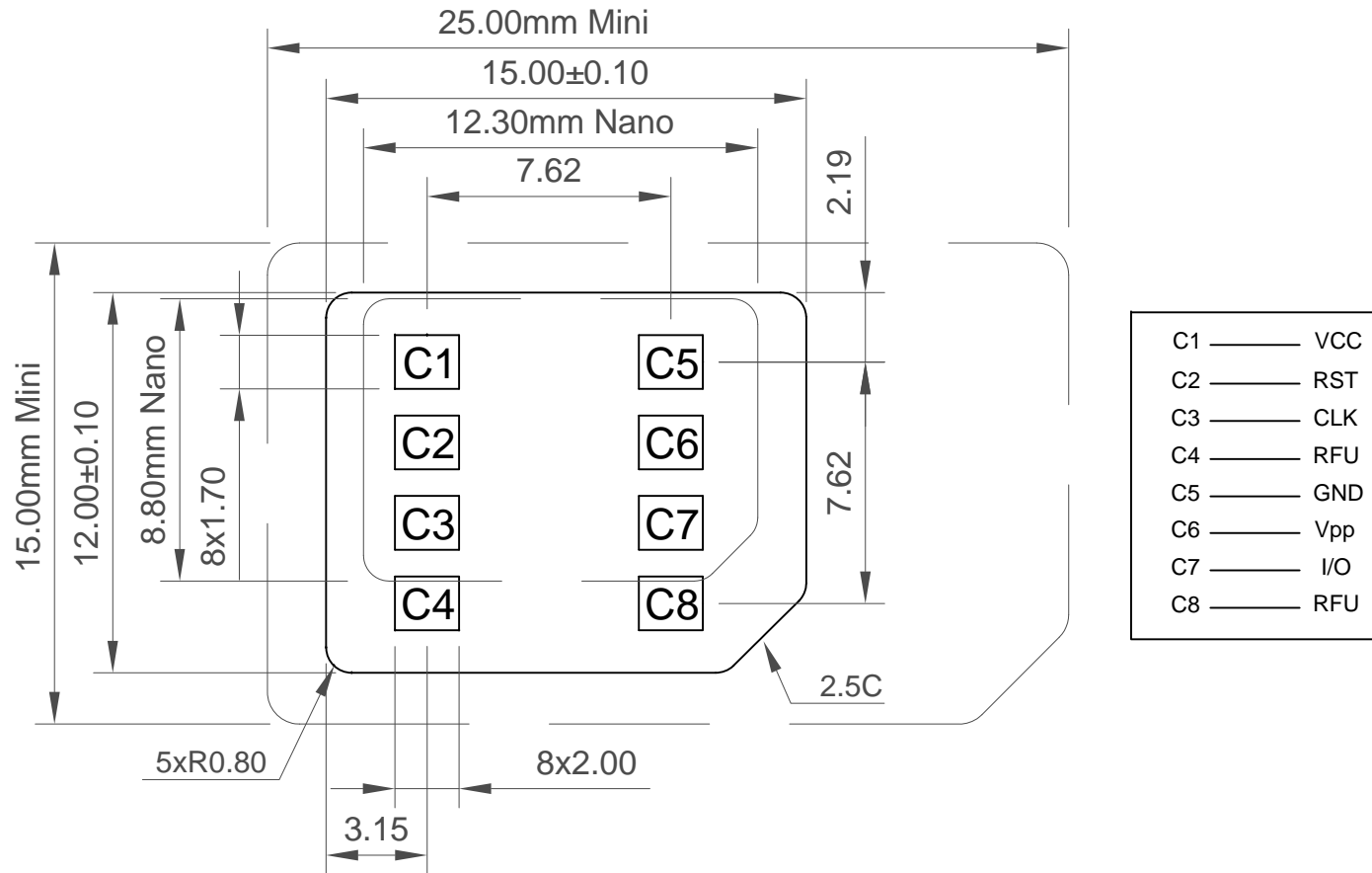
**Electrical:**  
 Voltage Rating: 30V max.  
 Current Rating: 0.5A max.  
 Dielectric Withstanding: 500V AC  
 Insulation Resistance: 1000 M $\Omega$  min.  
**Contact Resistance:**  
 Initial: 100 m $\Omega$  max. (signal)  
 300 m $\Omega$  max. (switch)  
 Final: 150 m $\Omega$  max. (signal)  
 400 m $\Omega$  max. (switch)  
**Mechanical:**  
 Duration: 3000 cycles  
 Operating Temperature: -40°C to +85°C



Part Number		Product Description	
SIM7155		Micro SIM Card Connector - Push-Push Type	
Drawing Date		6 Pin, SMT, 1.43mm Profile	
12th April 2021			
By	CC	Tolerances (Except as Noted)	Units:
Detail	Drawing Release	Length	Metric (mm)
Revision	A	X.X $\pm$ 0.30	
Date	12/04/21	X.XX $\pm$ 0.25	
		X.XXX $\pm$ 0.10	
		X. $^{\circ}$ $\pm$ 2 $^{\circ}$	
This drawing is confidential and copyright of Global Connector Technology, Ltd (GCT). This drawing must not be copied or disclosed without written consent. E & OE			
Not to Scale	Drawn By CC	Sheet No. 1/3	 www.gct.co

# Micro SIM Reference

thickness =  $0.76 \pm 0.08$



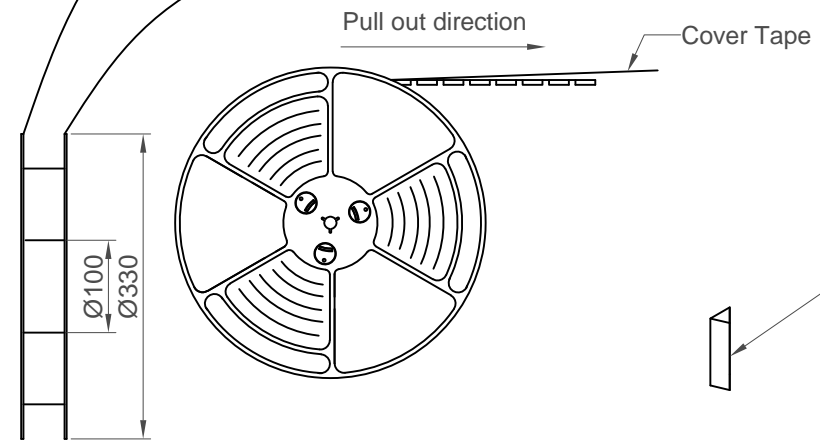
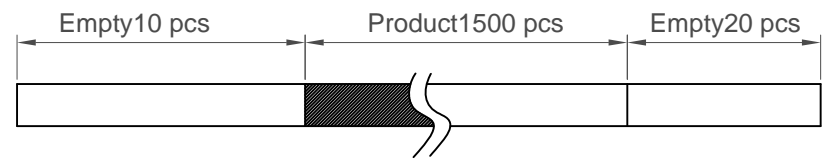
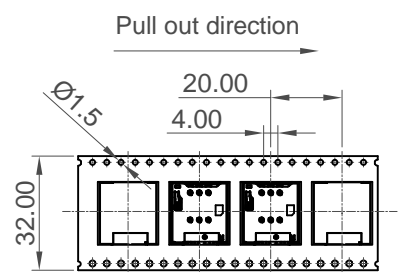
Part Number		Product Description	
SIM7155		Micro SIM Card Connector - Push-Push Type	
Drawing Date		6 Pin, SMT, 1.43mm Profile	
12th April 2021			
By	CC	Tolerances (Except as Noted)	Units:
Detail	Drawing Release	Length	Metric (mm)
Revision	A	X.X ± 0.30	
Date	12/04/21	X.XX ± 0.25	
		X.XXX ± 0.10	
		X.° ± 2°	

This drawing is confidential and copyright of Global Connector Technology, Ltd (GCT). This drawing must not be copied or disclosed without written consent. E & OE

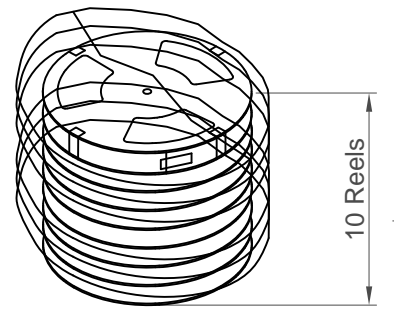
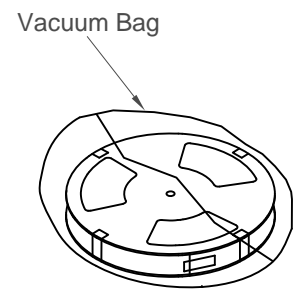
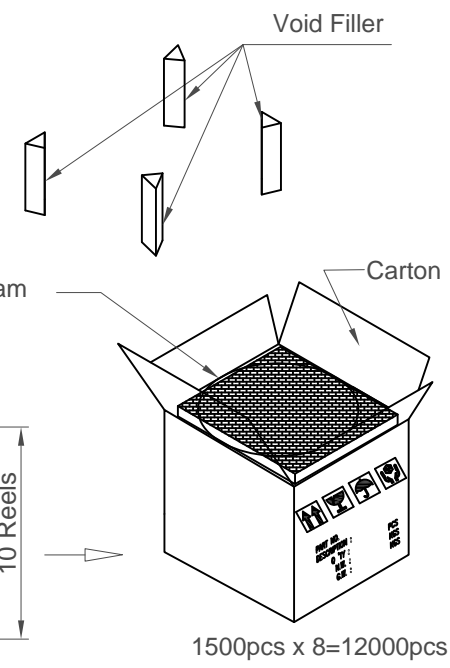


Not to Scale	Drawn By CC	Sheet No. 2/3
--------------	----------------	------------------

H  
G  
F  
E  
D  
C  
B  
A



Pcs/Reel	Reels/Carton	Pcs/Carton
1500	8	12000



1500pcs x 8=12000pcs

Part Number		Product Description	
SIM7155		Micro SIM Card Connector - Push-Push Type	
Drawing Date		6 Pin, SMT, 1.43mm Profile	
12th April 2021			
By	CC	Tolerances (Except as Noted)	Units:
Detail	Drawing Release	Length	Metric (mm)
Revision	A	X.X ± 0.30	
Date	12/04/21	X.XX ± 0.25	
		X.XXX ± 0.10	
		X.° ± 2°	

This drawing is confidential and copyright of Global Connector Technology, Ltd (GCT). This drawing must not be copied or disclosed without written consent. E & OE



Not to Scale	Drawn By CC	Sheet No. 3/3
--------------	-------------	---------------

1 2 3 4 5 6 7 8

## X-ON Electronics

Largest Supplier of Electrical and Electronic Components

*Click to view similar products for [Memory Card Connectors](#) category:*

*Click to view products by [GCT](#) manufacturer:*

Other Similar products are found below :

[6407-249V-25273P](#) [6407-249V-25343P](#) [6426-201-21343](#) [69.920.0553.0](#) [MCR60A-98D-2.54DSA\(70\)](#) [809180410000000](#) [DM3AT-SF-PEJM5\(41\)](#) [IC11S-BUR-PNEJL\(71\)](#) [C70210M0083692](#) [2041353-2](#) [308-DS1P0811-192](#) [HM2P09PDR360N9LF](#) [10014744-011TLF](#) [11327-001](#) [11327-002](#) [NX1-32T-KT3K\(05\)](#) [95622-003LF](#) [84648-056HLF](#) [CCM03-3109 B LFT](#) [MS3116J10-6PW](#) [2309923-1](#) [61126-050CAHLF](#) [GTFP08432B1HR](#) [G85D1160022HHR](#) [SCE2MSDZN76A121SN](#) [10014744-011ALF](#) [10014744-011LF](#) [10057542-1211FLF](#) [10067972-000LF](#) [10067972-050LF](#) [10122302-20110LF](#) [G85D1162022HHR](#) [TF-05A](#) [M6014-12](#) [XKNANO-1412](#) [SMN-304-ARP6](#) [MIS11-S1F1-2000-A](#) [SMN-308-ARSP7](#) [MCS-302S-KT1B](#) [SMN-308-ACSP7](#) [K-DYX-008](#) [K-DYX-004](#) [HYCW126-TF18-150B](#) [C7024-03](#) [SMO-1030](#) [MCS-110-KT](#) [SIM-217](#) [SNO-1355-KT](#) [SMO-1025-P10](#) [SIM-211S-P6](#)