

**Specifications**

**Material**  
 Housing&Slide : High Temperature Thermoplastic, UL94V-0, Black  
 Contact Terminal: Copper Alloy  
 Metallic Shell: Stainless Steel  
 Spring: SWP-B  
 Link: Stainless Steel

**Plating**

**Contact :**  
 Contact Area: Gold Flash over Nickel  
 Soldering Tail: Gold Flash over Nickel  
**Shell:**  
 Soldering Tail: Gold Flash over Nickel  
**Spring&Link:** Cleaning

**Electrical**

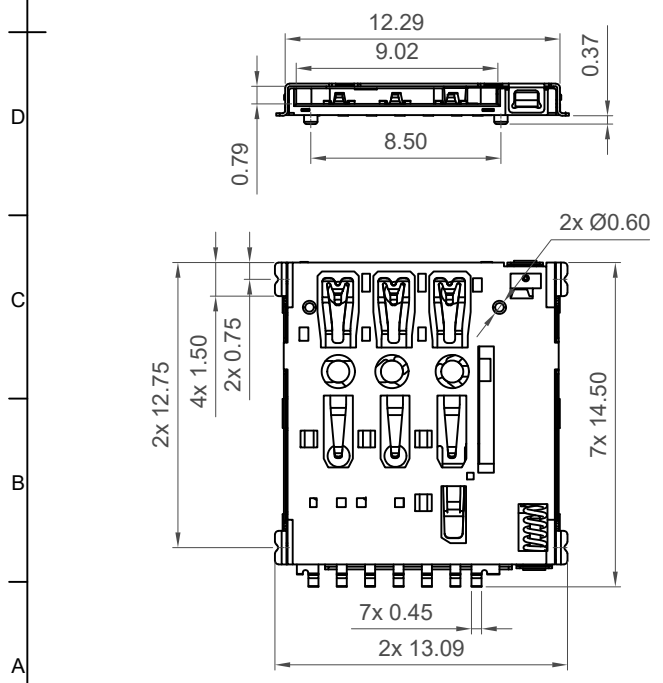
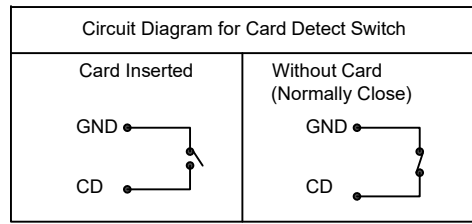
Voltage rating: 30V AC/DC  
 Current Rating: 1.0 Amp AC/DC Max.  
 Contact Resistance:  
 Signal contact: 100 mΩ Max.  
 CD to GND: 200 mΩ Max.  
 Dielectric Withstanding Voltage: 500V AC (60 Sec Min. )  
 Insulation Resistance: 1000 MΩ Min. @500V DC

**Mechanical & Environmental**

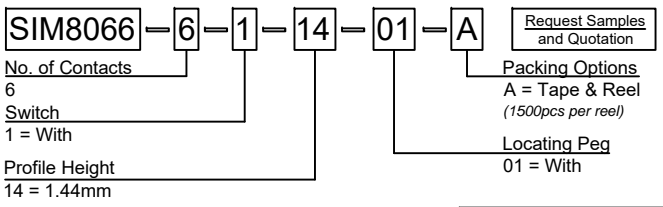
Operating Temperature: -40°C to +85°C  
 Durability : 5,000 cycles

**Recommended PCB Layout**

(Viewed from Component Side - Tolerance:±0.05mm)  
 ▨ Solder Area ▩ Keep Out Area □ Component Outline



**Ordering Grid**

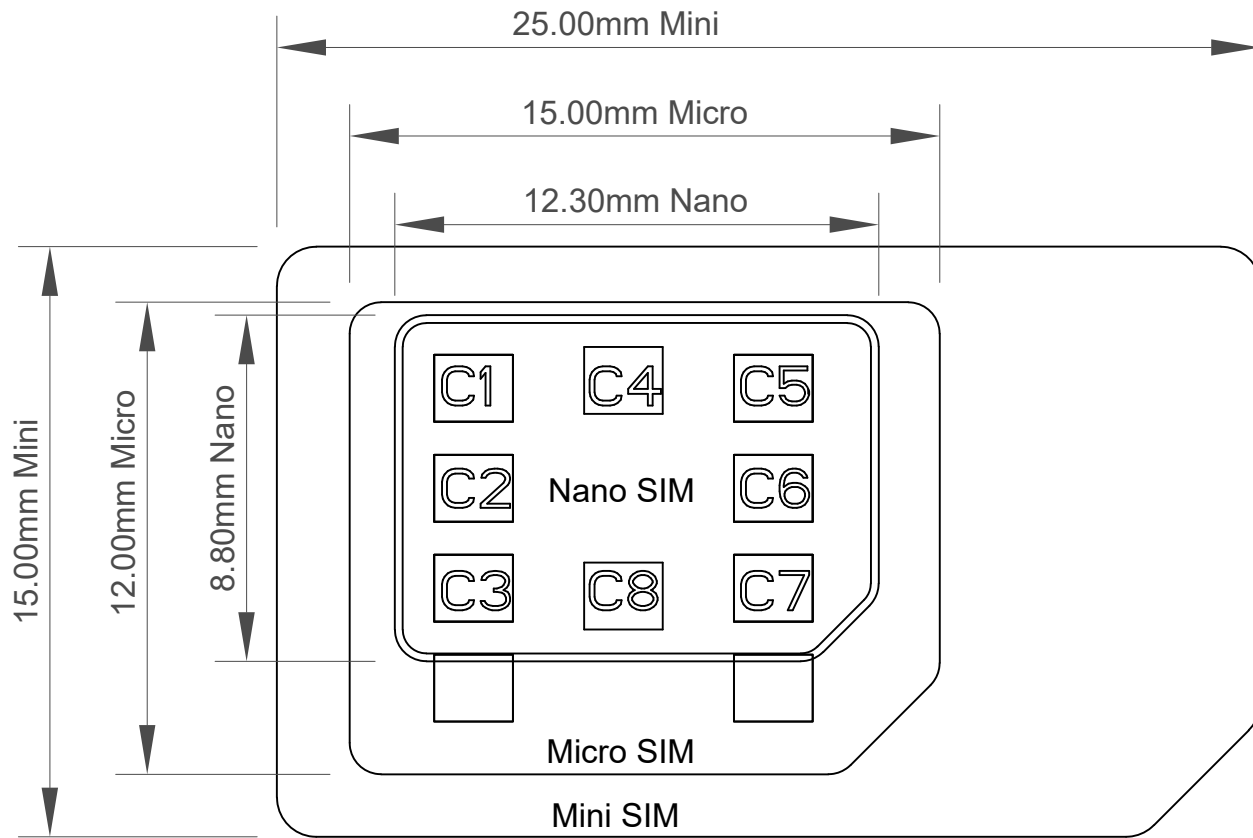


Part Number		Product Description		
SIM8066		Nano SIM Card Connector		
Drawing Date		Push-Push Type, SMT, 6Pin, 1.44mm Profile		
19th March 2021				
By	CC	Tolerances (Except as Noted)	Units:	
Detail	Drawing Release	Length	Metric (mm)	
Revision	A1	X.X ± 0.30		
Date	22/09/21	X.XX ± 0.20		
		X.XXX ± 0.10	± 2°	

**GCT**  
www.gct.co

This drawing is confidential and copyright of Global Connector Technology, Ltd (GCT). This drawing must not be copied or disclosed without written consent. E & OE

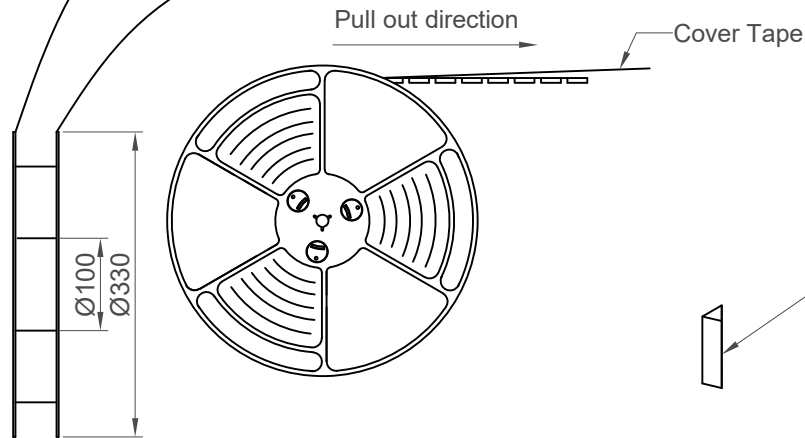
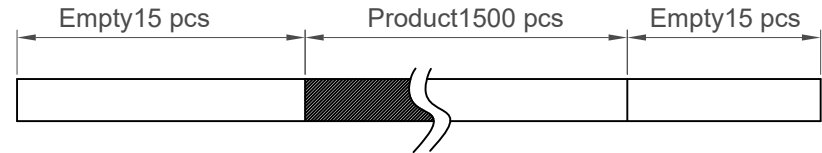
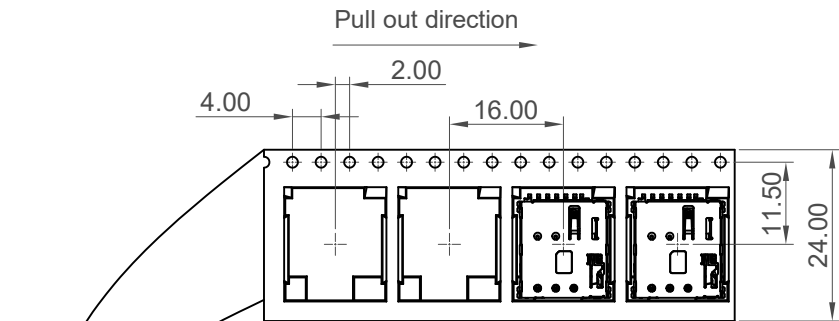
Not to Scale	Drawn By CC	Sheet No. 1/3
--------------	-------------	---------------



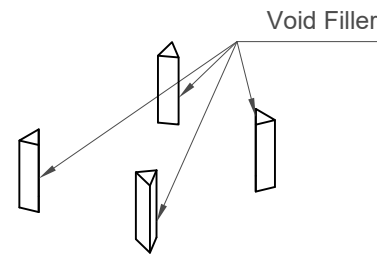
- C1----->VCC
- C2----->RST
- C3----->CLK
- C5----->GND
- C6----->Vpp
- C7----->I/O

### Reference

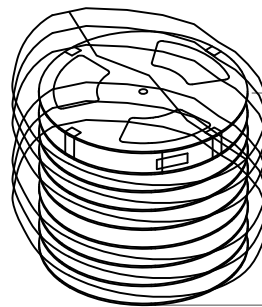
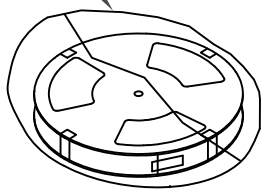
Part Number		Product Description			
SIM8066		Nano SIM Card Connector			
Drawing Date		Push-Push Type, SMT, 6Pin, 1.44mm Profile			
19th March 2021					
By	CC	Tolerances (Except as Noted)		Units:	 This drawing is confidential and copyright of Global Connector Technology, Ltd (GCT). This drawing must not be copied or disclosed without written consent. E & OE
Detail	Drawing Release	Length	Angle	Metric (mm)	
Revision	A1	X.X ± 0.30		± 2°	
Date	22/09/21	X.XX ± 0.20	X.XXX ± 0.10	 <small>3rd Angle Projection</small>	
				 <a href="http://www.gct.co">www.gct.co</a>	
				Not to Scale    Drawn By CC    Sheet No. 2/3	



Pcs/Reel	Reels/Carton	Pcs/Carton
1500	10	15000

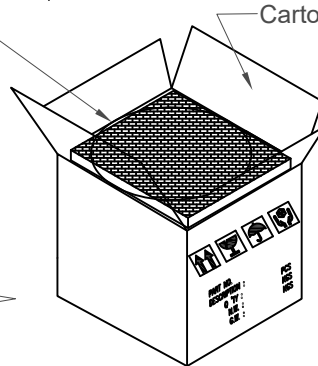


Vacuum Bag



10 Reels

PE Foam

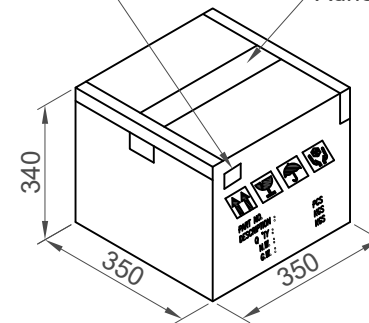


Carton

1500pcs x 10=15000pcs

Label

Adhesive Tape



Part Number		Product Description	
SIM8066		Nano SIM Card Connector	
Drawing Date		Push-Push Type, SMT, 6Pin, 1.44mm Profile	
19th March 2021			
By	CC	Tolerances (Except as Noted)	Units:
Detail	Drawing Release	Length	Metric (mm)
Revision	A1	X.X ± 0.30	 
Date	22/09/21	X.XX ± 0.20	
		X.XXX ± 0.10	± 2°

This drawing is confidential and copyright of Global Connector Technology, Ltd (GCT). This drawing must not be copied or disclosed without written consent. E & OE



Not to Scale	Drawn By CC	Sheet No. 3/3
--------------	-------------	---------------

## X-ON Electronics

Largest Supplier of Electrical and Electronic Components

*Click to view similar products for [Memory Card Connectors](#) category:*

*Click to view products by [GCT](#) manufacturer:*

Other Similar products are found below :

[M21-033321-005](#) [6407-249V-25273P](#) [6407-249V-25343P](#) [6426-201-21343](#) [69.920.0553.0](#) [FCN-568P068-G/07-4V](#) [809180410000000](#)  
[N7E50-7516PG-20-WF](#) [HMCAP001](#) [2041353-2](#) [33CFAE-DN](#) [502431-1011](#) [EN2997S61212BN](#) [EN2997SE61212BN](#) [617230001](#) [NX1-32T-](#)  
[KT3K\(05\)](#) [95622-003LF](#) [95079-00CALF](#) [33DVIR-29S12R](#) [125A-78C00](#) [MI20A-50PD-SF-EJL\(71\)](#) [KP10S-SF-PEJ\(812\)](#) [504536-0691](#)  
[504580-0691](#) [CCM03-3109 B LFT](#) [MI21-50PD-SF\(91\)](#) [2309923-1](#) [61126-050CAHLF](#) [IC1GA-68PD-1.27DS-EJ\(72\)](#) [GTFP08432B1HR](#)  
[G85DT17001P1EU](#) [G85B21611142HHR](#) [GSD090144HR](#) [G85D1140022P1HR](#) [GMCB05801124EU](#) [G85C11101152HHR](#)  
[G85B231021B1HR](#) [G85D1160022HHR](#) [112K-TAA0-RA1](#) [115S-ACA2](#) [115S-ACA3](#) [115S-BS00](#) [115S-BT00](#) [115V-AD00](#) [MCSP-Q1-08-A-](#)  
[SG-T/R](#) [503960-0695](#) [101B-TAA0-R](#) [101D-TAAA-R01](#) [101D-TAAB-R01](#) [104D-TCA0-R06](#)