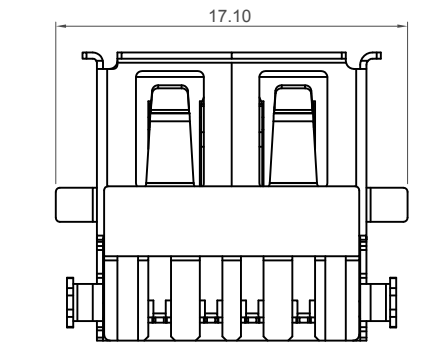
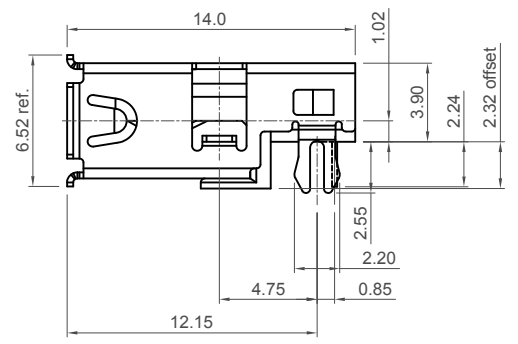
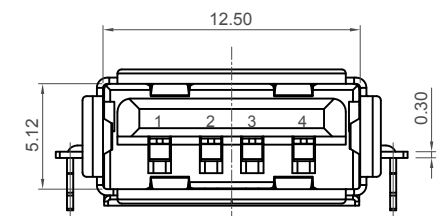


Recommended PCB Layout
 Thickness: 1.4mm General Tolerance: ±0.05
 As viewed from component side
 ▨ Solder Area ▭ Component Outline



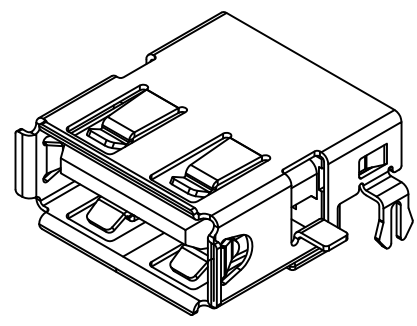
Ordering Grid

USB1015 - **XX** - **L** - **A** Request Samples and Quotation

Contact Plating
GF = Gold Flash (Standard)
 15 = 15µ" Gold

Packing Options
 A = Tape & Reel
 (400 per Reel)

Insulator Material
 L = LCP



Specifications:

Material:
 Plastic Housing: Thermoplastic, LCP UL94V-0, Black
 Contact Terminal: Brass
 Metallic Shell: Brass

Plating:
 Underplating: 50µ" Nickel
 Contact Area: See Ordering Grid
 Solder Tails: 50µ" Tin
 Metallic Shell: Nickel

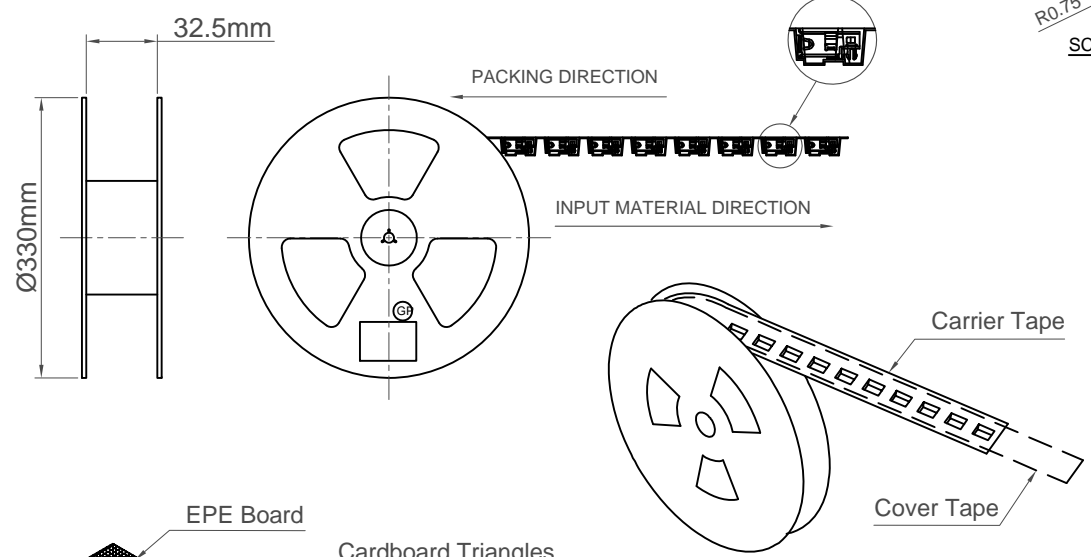
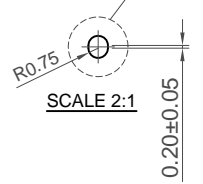
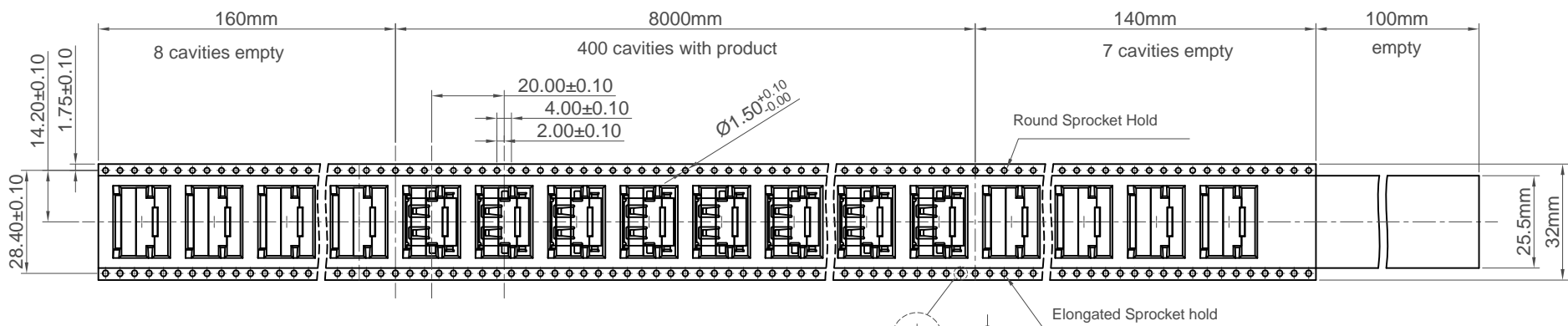
Electrical:
 Voltage Rating: 30V
 Current Rating: 1.5A
 Contact Resistance: 30mΩ max.
 Insulating Resistance: 1000MΩ min.
 Dielectric Withstand Voltage: 500V AC

Mechanical & Environmental:
 Mating Force: 35N (3.57Kgf) max.
 Unmating Force: 10N (1.02Kgf) min.
 Durability: 1,500 Cycles
 Operating Temperature: -40°C to +85°C

Part Number USB1015		Product Description USB Receptacle, Type A, Top Mid Mount, 2.32mm Offset, Thru-Hole, Horizontal, w/Shell Stakes & SMT Holdowns	
Drawing Date 14th February 2011			
By CC	Tolerances (Except as Noted) Length	Units: Metric (mm)	 This drawing is confidential and copyright of Global Connector Technology, Ltd (GCT). This drawing must not be copied or disclosed without written consent. E & OE
Detail USB1015 C PCN	X.X ± 0.35	X.° ± 3°	
Revision C1	X.XX ± 0.25	X.X° ± 1.5°	
Date 02/04/18		3rd Angle Projection	

GCT
 www.gct.co

Not to Scale Drawn By AJO Sheet No. 1/2



Part Number	Specification	Q'ty
Carrier Tape	32.0mm (W) x 8.3m (L)	8
Cover Tape	25.5mm (W)	67.2m
Reel	Ø330 x 32.5mm	8
Bag	400 x 400 x 400mm, PE	1
Cardboard Triangles	305 x 310 x 5mm	4
Carton	350 x 350 x 330mm	1
EPE Board	335 x 335 x 10mm	2

Part Number	Pcs./Reel	Reels/Carton	Pcs./Carton
USB1015	400	8	3200

Part Number USB1015		Product Description USB Receptacle, Type A, Top Mid Mount, 2.32mm Offset, Thru-Hole, Horizontal, w/Shell Stakes & SMT Holdowns	
Drawing Date 14th February 2011			
By CC	Tolerances (Except as Noted) Length Angle	Units: Metric (mm)	
Detail USB1015 C PCN			
Revision C1			
Date 02/04/18			
		This drawing is confidential and copyright of Global Connector Technology, Ltd (GCT). This drawing must not be copied or disclosed without written consent. E & OE	
		www.gct.co	
		Not to Scale Drawn By AJO Sheet No. 2/2	

X-ON Electronics

Largest Supplier of Electrical and Electronic Components

Click to view similar products for [USB Connectors](#) category:

Click to view products by [GCT](#) manufacturer:

Other Similar products are found below :

[65-647-8-BK-BU](#) [950](#) [952](#) [E8144-B01021-L](#) [A-USB B-TOP-C](#) [MUSBA511N5](#) [MUSBD11135](#) [217450-1](#) [KMBVX-TH-5S-B30](#) [896-30-004-00-000000](#) [KUSBVX-BS1N-W30](#) [KUSBX-AP-KIT-SCBLK](#) [KUSBX-AS2N-W](#) [KUSBX-SMT2AP1S-W](#) [KUSBX-SMT2AP1S-W30](#) [935](#) [957](#) [30-498-6](#) [SK-60A-2](#) [17-210051](#) [1734082-1](#) [30-1574](#) [30-470](#) [30-489](#) [30-541](#) [30-572-3](#) [A-USB A-2P-C](#) [MIKROE-1451](#) [USBFTV2PEM2G](#) [USBFTVC6ZN](#) [KUSBX-AS2N-W30](#) [KUSBX-SLAS1N-W](#) [KUSBX-SMT-AS1N-W30](#) [4689-1](#) [1-1734084-2](#) [E8110-001-01](#) [33UBARS1-04SW11](#) [33UBAR-04SW11](#) [USBF21ZNSCC](#) [USBBFTV6ZC](#) [10135326-001LF](#) [M9177/3-1](#) [USB-A-S-F-B-VT](#) [925](#) [4198](#) [690-024-633-031](#) [KUSBEX-BSFS1N-W](#) [USBFTVC6MRG](#) [UA-20BMFA-SL8001](#) [17-250101](#)