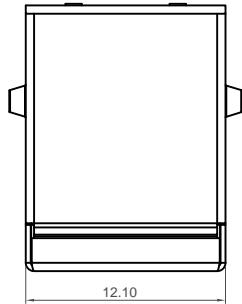
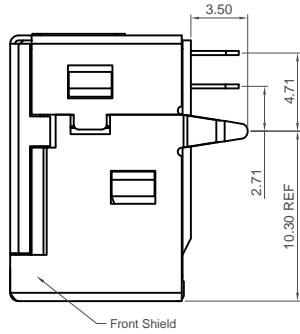


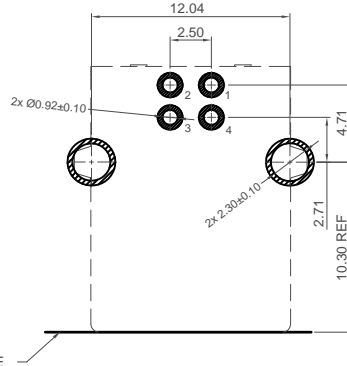
Rear Shield



12.10



Front Shield

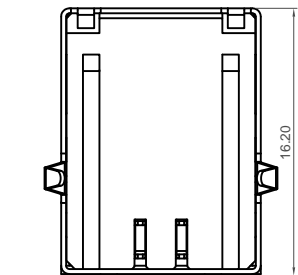
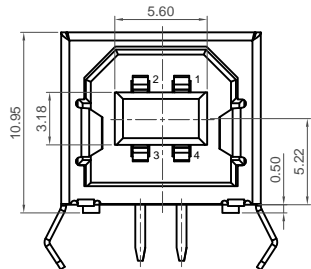
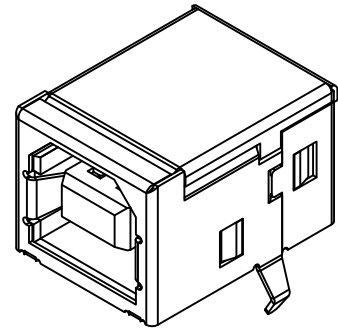


P.C.B. EDGE

**RECOMMENDED P.C.B. LAYOUT**  
THICKNESS: 1.6mm GENERAL TOLERANCE: ±0.05

AS VIEWED FROM COMPONENT SIDE

Solder Area  
Component Outline



16.20

Ordering Grid

USB1030 - XX - P - X - B Request Samples and Quotation

Contact Plating  
**GF = Gold Flash (Standard)**  
15 = 15µ" Gold

Packing Options  
B = Tray  
(100 per tray)

Insulator Colour  
**B = Black (Standard)**

Insulator Material  
P = PBT

**Specifications 规格:**

**Materials & Plating 物料与电镀:**

Plastic Housing 塑胶外壳: Thermoplastic, PBT, Glass Fibre Filled, UL94V-0  
热塑性塑料, PBT; 玻纤填充, UL94V-0

Contact Terminal 接触端子: Brass (t=0.25mm) 黄铜

Metallic Shell 金属外壳: Brass 黄铜

Metallic Shell Rear 金属外壳后: Steel 钢

Finish 表面处理:

Underplating 底层电镀: 50µ" Nickel 50µ" 镍

Plating 电镀:

Contact Area 接触面积: Gold Flash or 15µ" Gold 闪金或15µ"金

Solder Tails 焊接末端: 50µ" Tin 50µ" 锡

Metallic Shell 金属外壳: Nickel 镍

**Electrical 电气规格:**

Voltage Rating 电压额定值: 30V

Current Rating 电流额定值: 1.5A

Operating Temperature 工作温度: -40°C to +85°C

Contact Resistance 接触电阻值: 30mΩ Max.

Insulating Resistance 绝缘电阻值: 1000MΩ Min.

Dielectric Withstand Voltage 耐压: 500V AC

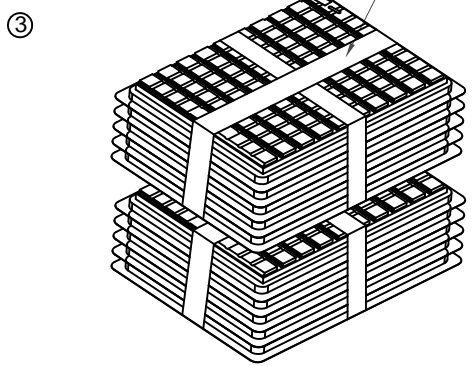
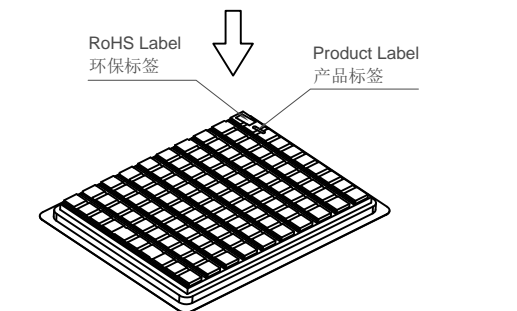
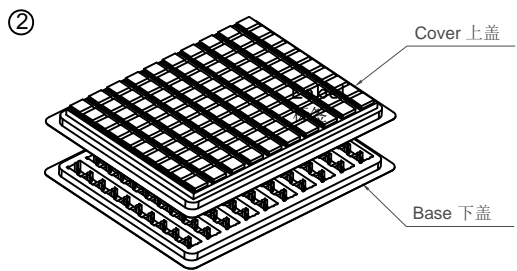
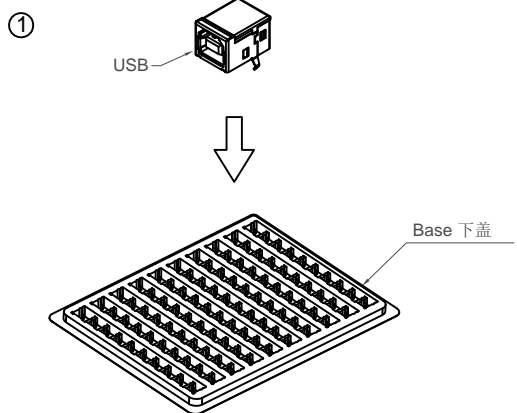
**Mechanical 机械性规格:**

Mating Force 插入力: 35N (3.57Kg) Max.

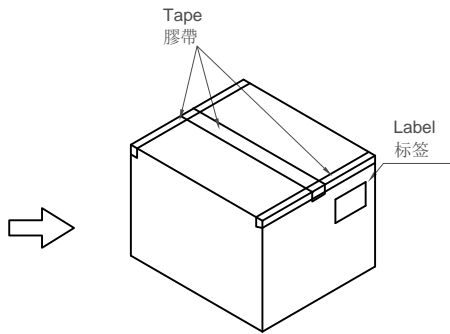
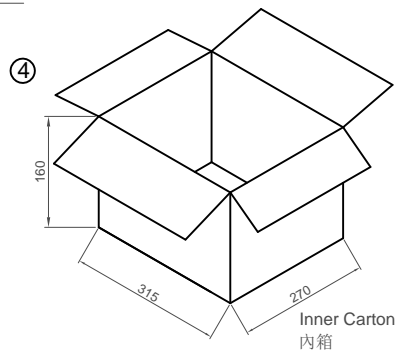
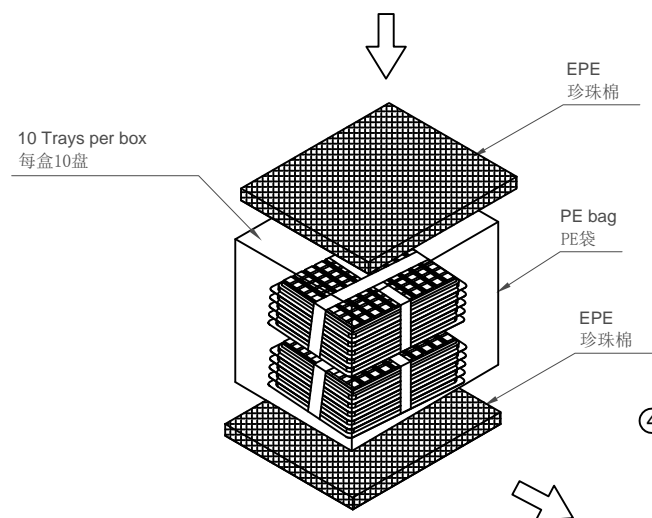
Unmating Force 拔出力: 10N (1.02Kg) Min.

Durability 耐久性: 1,500 Cycles 1500次插拔

Part Number USB1030		Product Description USB Receptacle, Type B, 4 Pin, Through Hole, R/A, Top Mount, With Kinked Shell Stakes			www.gct.co
Drawing Date 14th February 2011					
By CC	Detail USB1030 B PCN	Tolerances (Except as Noted) Length X.X ± 0.35 X.XX ± 0.25	Units: Metric (mm)		
Revision Date	B1 05/12/16	X, X° ± 1° X, X° ± 0.5°			
This drawing is confidential and copyright of Global Connector Technology, Ltd (GCT). This drawing must not be copied or disclosed without written consent. E & OE				Not to Scale	Drawn By SA
				Sheet No. 1/2	



5 trays taped together 5盘叠加  
2 sets per box 每盒2套



Products P/N	PCS/Tray	Trays/Carton	PCS/Carton
USB1030-XX-P-X-B	100	10	1000

Packing Rules 封裝規則:

1. USB's placed into the tray base. 将USB连接器放入吸塑盘内
2. Tray cover and base taped together to keep USB's in place. USB连接器放好后, 加上吸塑盖, 并用胶带缠绕好
3. 10 trays put into carton. 10吸塑盘一叠, 放入纸箱
4. Boxed taped and label stuck on the outer carton. 用胶带封住纸箱; 并贴上标签。

Part Number USB1030		Product Description USB Receptacle, Type B, 4 Pin, Through Hole, R/A, Top Mount, With Kinked Shell Stakes	
Drawing Date 14th February 2011			
By CC		Tolerances (Except as Noted)	Units: Metric (mm)
Detail USB1030 B PCN		Length X.X ± 0.35	Angle X.° ± 1°
Revision B1		X.XX ± 0.25	X.X° ± 0.5°
Date 05/12/16			



This drawing is confidential and copyright of Global Connector Technology, Ltd (GCT). This drawing must not be copied or disclosed without written consent. E & OE



Not to Scale	Drawn By SA	Sheet No. 2/2
--------------	----------------	------------------

## X-ON Electronics

Largest Supplier of Electrical and Electronic Components

*Click to view similar products for [USB Connectors](#) category:*

*Click to view products by [GCT](#) manufacturer:*

Other Similar products are found below :

[950](#) [A-USB A-LP-SMT-C](#) [A-USB B-TOP-C](#) [MUSBA511N5](#) [MUSBD11135](#) [217450-1](#) [KMBVX-TH-5S-B30](#) [896-30-004-00-000000](#)  
[KUSBX-AS2N-W](#) [KUSBX-SMT2AP1S-W30](#) [935](#) [957](#) [30-498-6](#) [SK-60A-2](#) [1734082-1](#) [CIR08AF-20-27S-F80-20](#) [CIR08F-20](#) [30-1574](#) [30-470](#) [30-489](#) [30-541](#) [30-572-3](#) [A-USB A-2P-C](#) [MIKROE-1451](#) [USBFTV2PEM2G](#) [USBFTVC6ZN](#) [USBFTVSCCG](#) [4689-1](#) [1-1734084-2](#)  
[CIR08F-20-27P-F80-VO](#) [USBF21ZNSCC](#) [USBBFTV6ZC](#) [MUSBB151341](#) [10135326-001LF](#) [M9177/3-1](#) [USB-A-S-F-B-VT](#) [925](#) [4198](#) [690-024-633-031](#) [UB-20PMFP-LC7001](#) [USBFTVC6MRG](#) [UA-20BMFA-SL8001](#) [17-200011](#) [USBFTVC7ZC](#) [UB-20AFMM-LL7A01](#)  
[USBFTVC2MN](#) [CAP-WCCMLPB1](#) [CAP-WCCMLPC1](#) [2041386-1](#) [2274475-3](#)