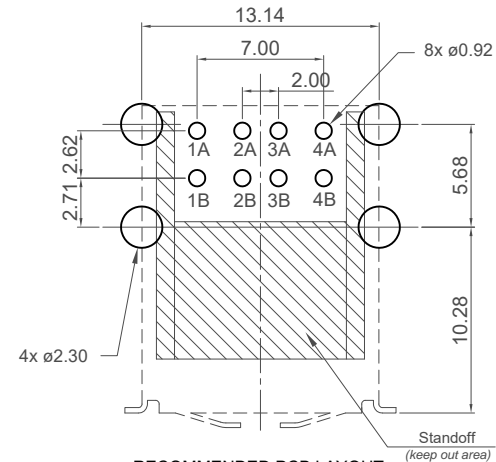
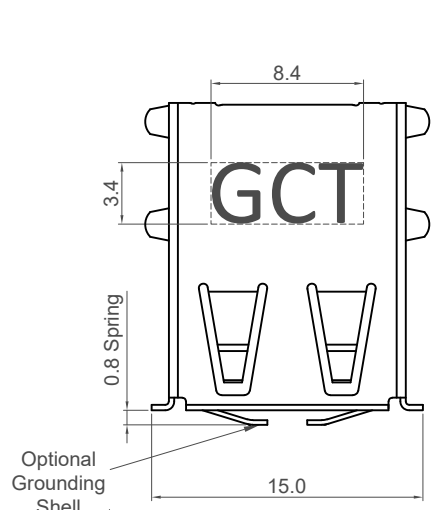
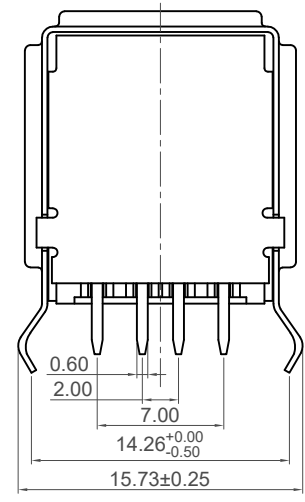
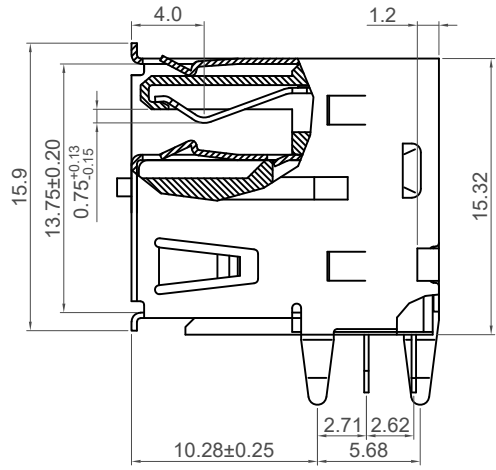
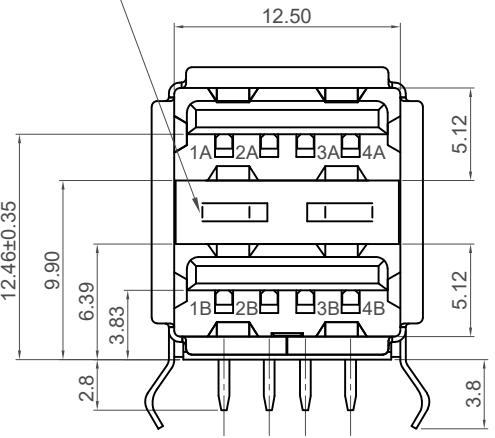
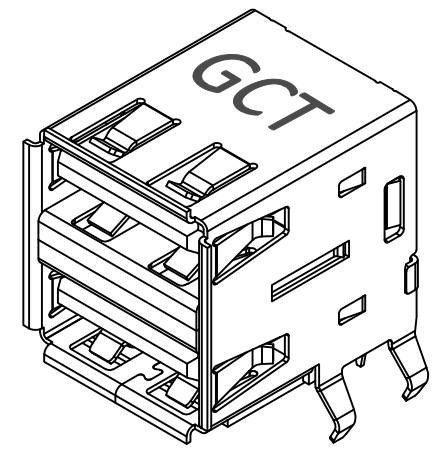


H
G
F
E
D
C
B
A



RECOMMENDED PCB LAYOUT
 Thickness: 1.2mm General Tolerance: ±0.05
 as viewed from component side
 □ Component Outline



Specifications

Material

Plastic Housing: PBT, G.F. Filled, UL94V-0
 Contact Terminal: Brass
 Metallic Shell: Stainless steel

Plating

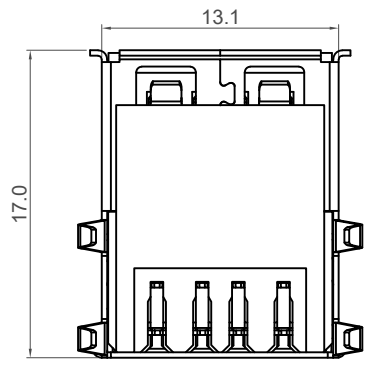
Underplating: 50µ" Nickel
 Contact Area: Gold Flash or 15µ" Gold
 Solder Tails: 50µ" Tin
 Metallic Shell: Nickel

Electrical

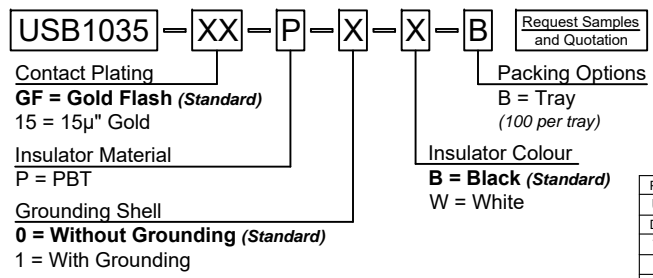
Voltage Rating: 30V
 Current Rating: 1.8A
 Contact Resistance: 30 mΩ max.
 Insulating Resistance: 1000 MΩ min.
 Dielectric Withstand Voltage: 500V AC

Mechanical & Environmental

Operating Temperature: -40°C to +85°C
 Mating Force: 35N (3.57Kgf) max.
 Unmating Force: 10N (1.02Kgf) min.
 Durability: 1,500 Cycles

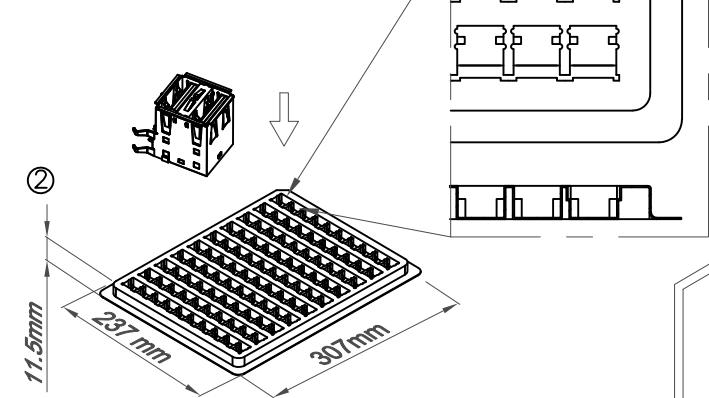
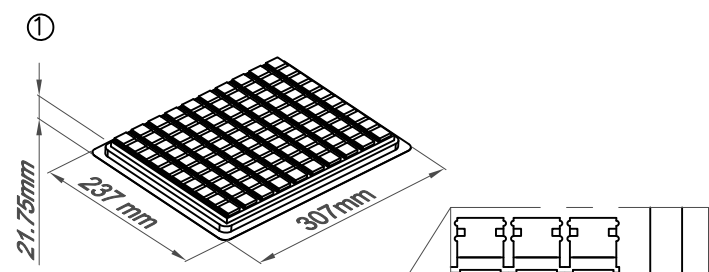


Ordering Grid

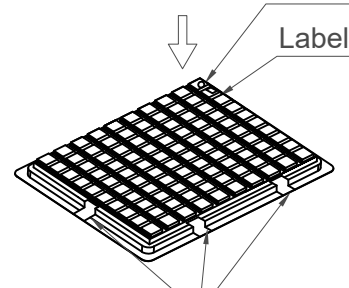


Part Number		Product Description				This drawing is confidential and copyright of Global Connector Technology, Ltd (GCT). This drawing must not be copied or disclosed without written consent. E & OE		www.gct.co	
USB1035		USB Dual Receptacle, Type A, 8 Pin, Through Hole, Horizontal, Top Mount, With Kinked Shell Stakes							
Drawing Date		14th February 2011							
By	CC	Tolerances (Except as Noted)	Units:			Metric (mm)		Not to Scale	
Detail	USB1035 F PCN	Length	Angle						
Revision	F	X.X ± 0.35	X° ± 3°						
Date	03/11/21	X.XX ± 0.25	X.X° ± 1.5°						
Revision		Date		Drawn By		Sheet No.		1/2	

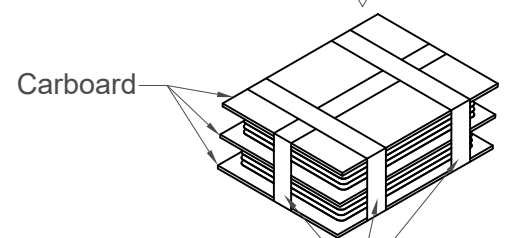
H
G
F
E
D
C
B
A



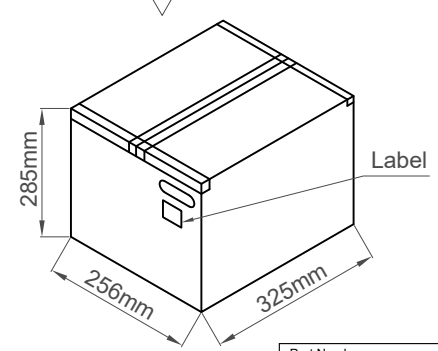
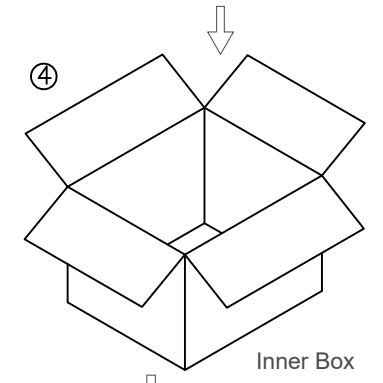
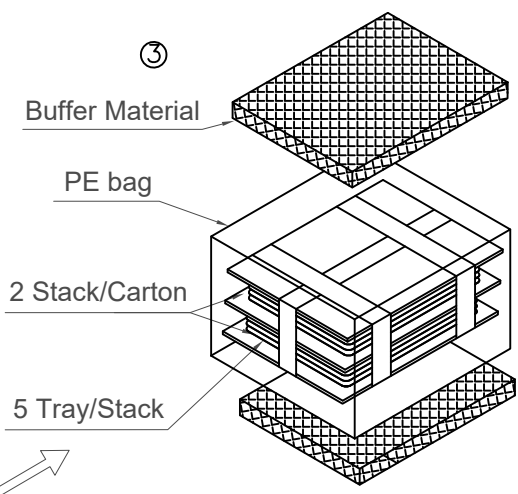
100PCS/tray
RoHS label
Label



Sealed by adhesive Tape



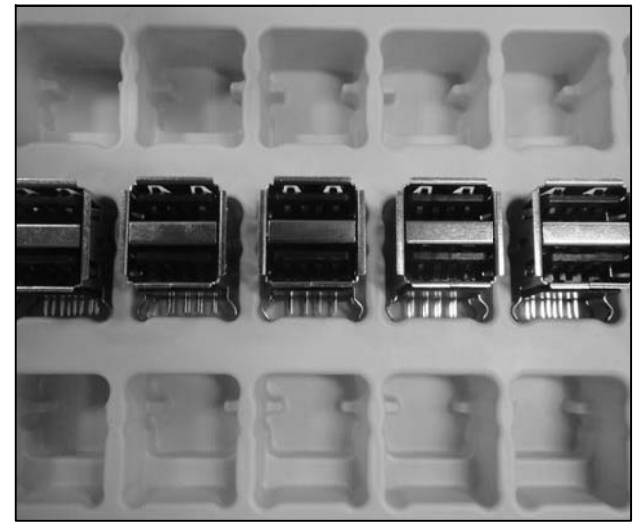
Use stretch film winding



Products P/N	PCS/Tray	Trays/Carton	PCS/Carton
USB1035	100	10	1000

Packing Rules:

- 1.USB's placed into the tray base.
- 2.Tray cover and base taped together to keep USB's in place.
- 3.10 trays put into carton.
- 4.Boxed taped and label stuck on the outer carton.



USB's placed into the tray base.

Part Number USB1035		Product Description USB Dual Receptacle, Type A, 8 Pin, Through Hole, Horizontal, Top Mount, With Kinked Shell Stakes	
Drawing Date 14th February 2011			
By CC	Tolerances (Except as Noted) Length Angle	Units: Metric (mm)	
Detail USB1035 F PCN			
Revision F			
Date 03/11/21			
		This drawing is confidential and copyright of Global Connector Technology, Ltd (GCT). This drawing must not be copied or disclosed without written consent. E & OE	
		 www.gct.co	
		Not to Scale	Drawn By SA Sheet No. 2/2

X-ON Electronics

Largest Supplier of Electrical and Electronic Components

Click to view similar products for [USB Connectors](#) category:

Click to view products by [GCT](#) manufacturer:

Other Similar products are found below :

[65-647-8-BK-BU](#) [950](#) [952](#) [E8144-B01021-L](#) [A-USB B-TOP-C](#) [MUSBA511N5](#) [MUSBD11135](#) [217450-1](#) [KMBVX-TH-5S-B30](#) [896-30-004-00-000000](#) [KUSBVX-BS1N-W30](#) [KUSBX-AP-KIT-SCBLK](#) [KUSBX-AS2N-W](#) [KUSBX-SMT2AP1S-W](#) [KUSBX-SMT2AP1S-W30](#) [935](#) [957](#) [30-498-6](#) [SK-60A-2](#) [17-210051](#) [1734082-1](#) [30-1574](#) [30-470](#) [30-489](#) [30-541](#) [30-572-3](#) [A-USB A-2P-C](#) [MIKROE-1451](#) [USBFTV2PEM2G](#) [USBFTVC6ZN](#) [KUSBX-AS2N-W30](#) [KUSBX-SLAS1N-W](#) [KUSBX-SMT-AS1N-W30](#) [4689-1](#) [1-1734084-2](#) [E8110-001-01](#) [33UBARS1-04SW11](#) [33UBAR-04SW11](#) [USBF21ZNSCC](#) [USBBFTV6ZC](#) [10135326-001LF](#) [M9177/3-1](#) [USB-A-S-F-B-VT](#) [925](#) [4198](#) [690-024-633-031](#) [KUSBEX-BSFS1N-W](#) [USBFTVC6MRG](#) [UA-20BMFA-SL8001](#) [17-250101](#)