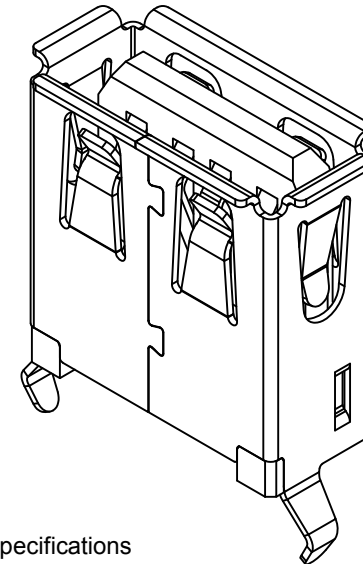


Recommended P.C.B Layout

Thickness: 1.6mm General Tolerance: ± 0.05
as viewed from component side

▨ Solder Area □ Component Outline



Specifications

Material

Plastic Housing: LCP, UL94V-0, Black
Contact Terminal: Brass
Metallic Shell: Brass

Plating

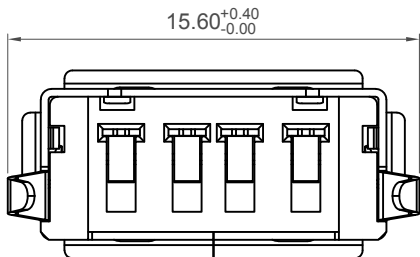
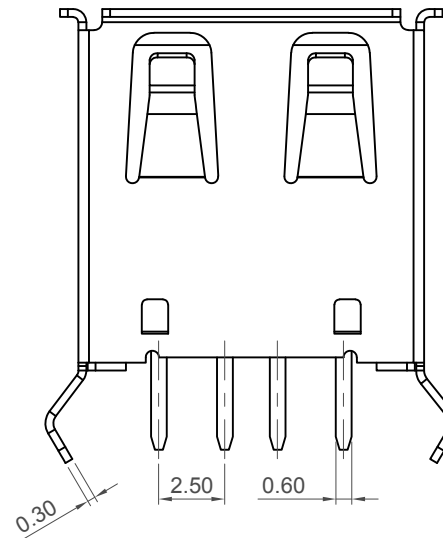
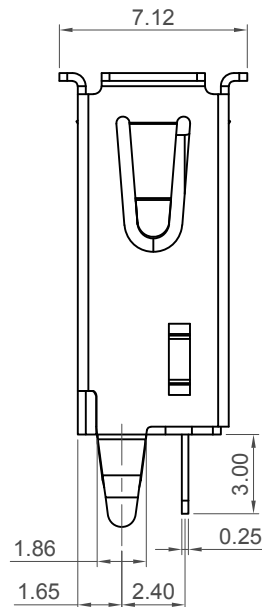
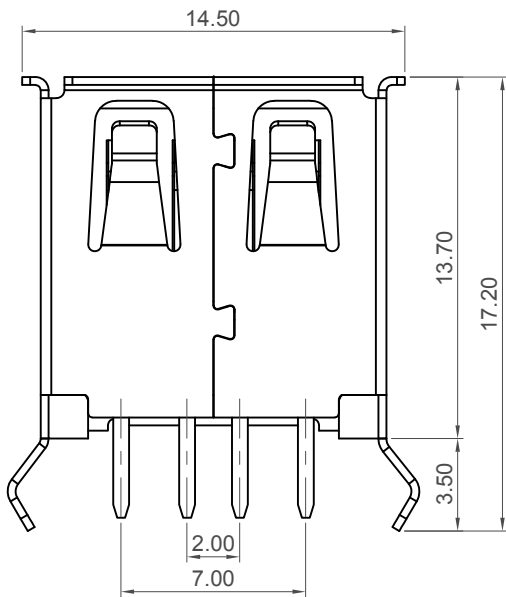
Underplating: Nickel all over
Contact Area: Gold Flash or 15µ" Gold
Solder Tails: Tin
Metallic Shell: Nickel

Electrical:

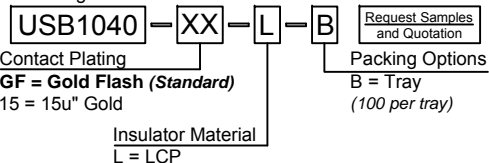
Voltage Rating: 30V
Current Rating: 1.5A
Operating Temperature: -40°C to +85°C
Contact Resistance: 30 mΩ max.
Insulating Resistance: 1000 MΩ min.
Dielectric Withstand Voltage: 500V AC

Mechanical & Environmental

Mating Force: 35N (3.57Kgf) max.
Unmating Force: 10N (1.02Kgf) min.
Durability: 1,500 Cycles



Ordering Grid



Part Number		Product Description	
USB1040		USB Receptacle, Type A, 4 Pin, Through Hole, Vertical, With Kinked Shell Stakes	
Drawing Date		14th February 2011	
By	CC	Tolerances (Except as Noted)	Units:
Detail	USB1040	Length	Metric (mm)
Revision	C PCN	Angle	
Date	C2	X.X ± 0.35	X.° ± 3.0°
	17/01/20	X.XX ± 0.25	X.X° ± 1.5°

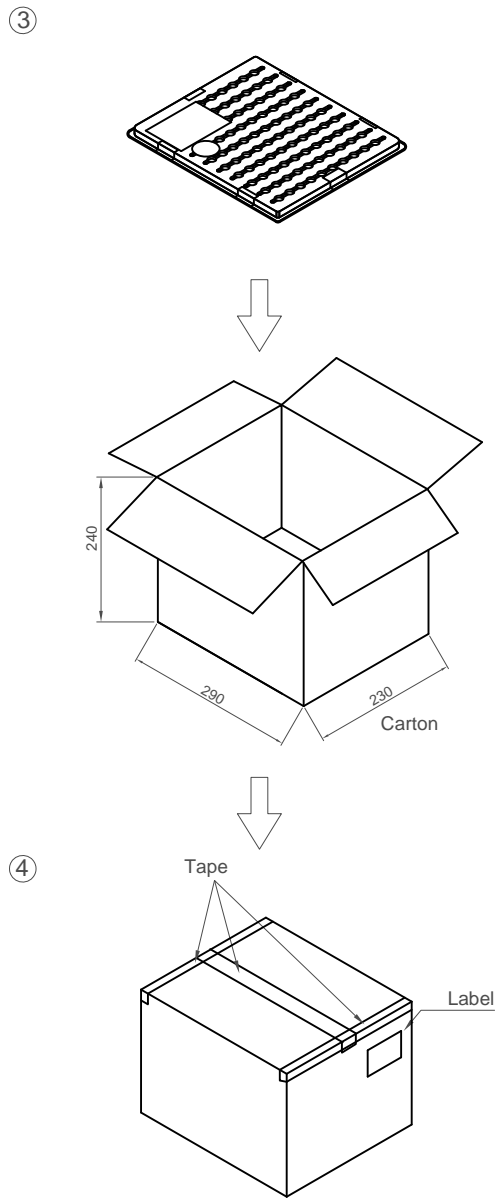
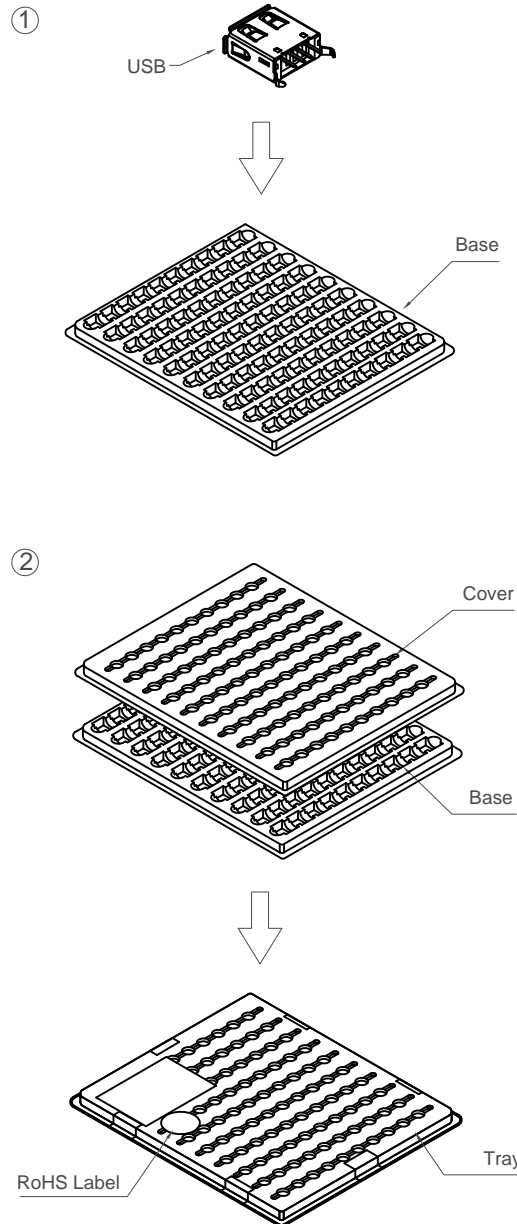


This drawing is confidential and copyright of Global Connector Technology, Ltd (GCT). This drawing must not be copied or disclosed without written consent. E & OE



Not to Scale	Drawn By SA	Sheet No. 1/2
--------------	-------------	---------------

H
G
F
E
D
C
B
A



Packing Rules :

- 1.USB's placed into the tray base.
- 2.Tray cover and base taped together to keep USB's in place.
- 3.25 trays put into carton.
- 4.Boxed taped and label stuck on the outer carton.

Products P/N	PCS/Tray	Trays/Carton	PCS/Carton
USB1040	100	25	2500

Part Number USB1040		Product Description USB Receptacle, Type A, 4 Pin, Through Hole, Vertical, With Kinked Shell Stakes				
Drawing Date 14th February 2011						
By CC	Tolerances (Except as Noted) Length	Units: Metric (mm)	 <small>This drawing is confidential and copyright of Global Connector Technology, Ltd (GCT). This drawing must not be copied or disclosed without written consent. E & OE</small>			
Detail USB1040 C PCN	Angle					
Revision C2						
Date 17/01/20						
		<table border="1"> <tr> <td>Not to Scale</td> <td>Drawn By SA</td> <td>Sheet No. 1/2</td> </tr> </table>		Not to Scale	Drawn By SA	Sheet No. 1/2
Not to Scale	Drawn By SA	Sheet No. 1/2				



X-ON Electronics

Largest Supplier of Electrical and Electronic Components

Click to view similar products for [USB Connectors](#) category:

Click to view products by [GCT](#) manufacturer:

Other Similar products are found below :

[950](#) [A-USB A-LP-SMT-C](#) [A-USB B-TOP-C](#) [MUSBA511N5](#) [MUSBD11135](#) [217450-1](#) [KMBVX-TH-5S-B30](#) [896-30-004-00-000000](#)
[KUSBX-AS2N-W](#) [KUSBX-SMT2AP1S-W30](#) [935](#) [957](#) [30-498-6](#) [SK-60A-2](#) [1734082-1](#) [CIR08AF-20-27S-F80-20](#) [CIR08F-20](#) [30-1574](#) [30-470](#) [30-489](#) [30-541](#) [30-572-3](#) [A-USB A-2P-C](#) [MIKROE-1451](#) [USBFTV2PEM2G](#) [USBFTVC6ZN](#) [USBFTVSCCG](#) [4689-1](#) [1-1734084-2](#)
[CIR08F-20-27P-F80-VO](#) [USBF21ZNSCC](#) [USBBFTV6ZC](#) [MUSBB151341](#) [10135326-001LF](#) [M9177/3-1](#) [USB-A-S-F-B-VT](#) [925](#) [4198](#) [690-024-633-031](#) [UB-20PMFP-LC7001](#) [USBFTVC6MRG](#) [UA-20BMFA-SL8001](#) [17-200011](#) [USBFTVC7ZC](#) [UB-20AFMM-LL7A01](#)
[USBFTVC2MN](#) [CAP-WCCMLPB1](#) [CAP-WCCMLPC1](#) [2041386-1](#) [2274475-3](#)