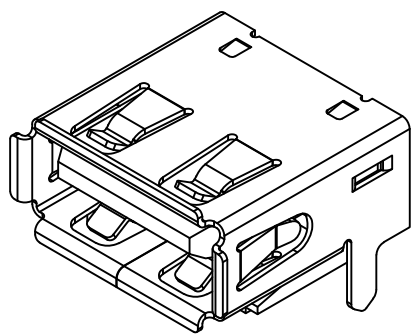
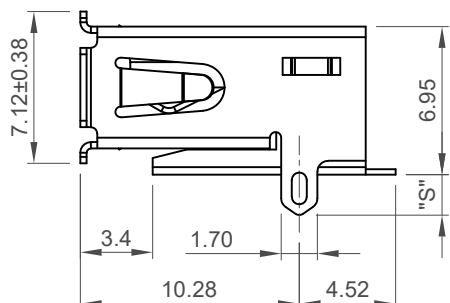


Recommended PCB Layout (Top View)
 T=1.4mm (General Tolerances: ±0.05mm)
 ▨ Solder Area □ Component Outline



Specifications

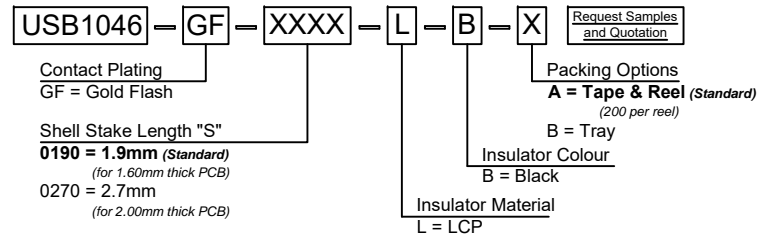
Materials & Plating
 Plastic Housing: LCP, UL94V-0, Black
 Contact Terminal: Copper Alloy
 Metallic Shell: SPCC

Plating:
 Underplating: 50µ" Nickel
 Contact Area: Gold Flash
 Solder Tails: 50µ" Tin
 Metallic Shel: Nickel

Electrical:
 Voltage Rating: 30V
 Current Rating: 1.5A
 Operating Temperature: -40°C to +85°C
 Contact Resistance: 30 mΩ max.
 Insulating Resistance: 1000 MΩ min.
 Dielectric Withstand Voltage: 500V AC

Mechanical:
 Mating Force: 35N (3.57Kgf) max.
 Unmating Force: 10N (1.02Kgf) min.
 Durability: 1,500 Cycles

Ordering Grid



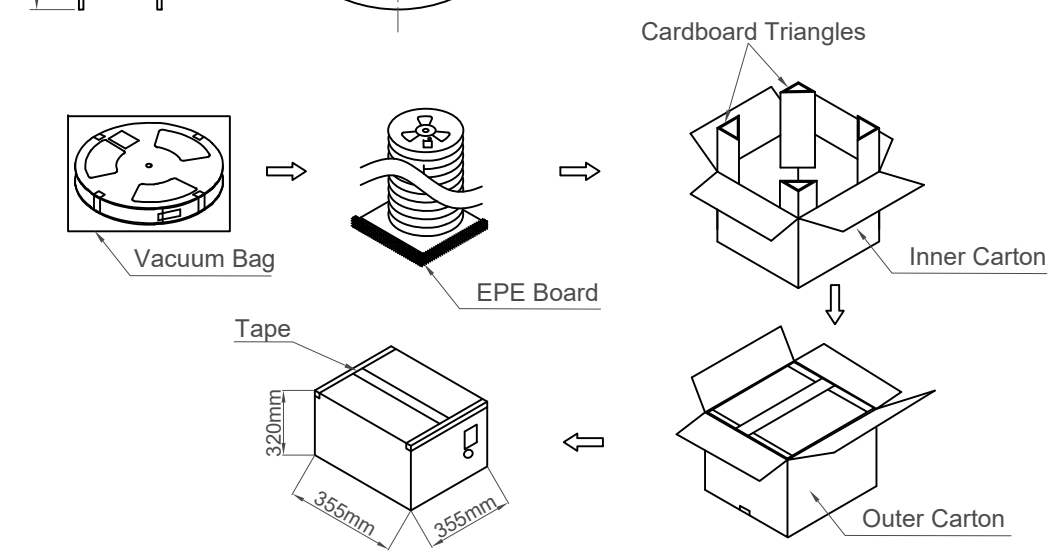
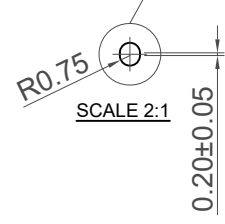
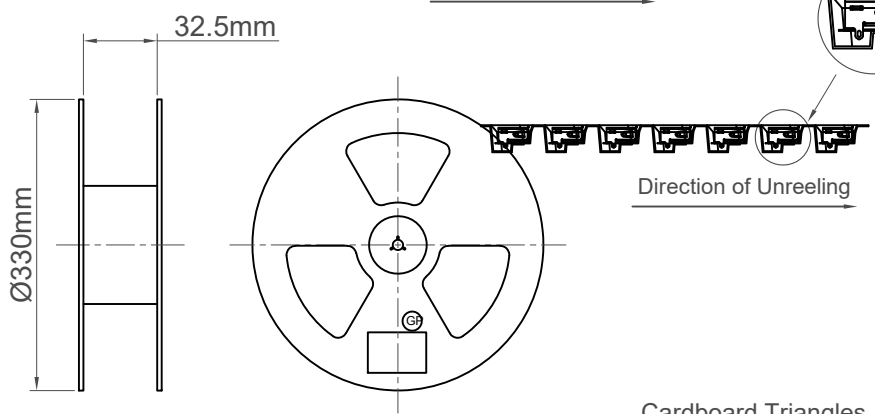
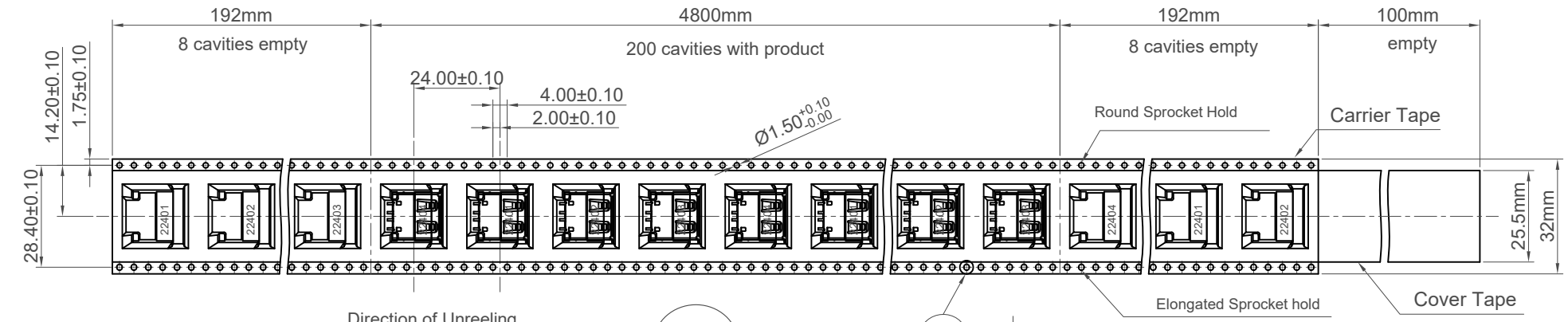
Part Number		Product Description	
USB1046		USB Receptacle, Type A, 4 Pin, Surface Mount, Horizontal, Top Mount, with Shell Stakes	
Drawing Date		8th September 2014	
By	CC	Tolerances (Except as Noted)	Units:
Detail	USB1046 B PCN	Length X.X ± 0.35 X.XX ± 0.25	Metric (mm)
Revision	B3	Angle X.° ± 3° X.X° ± 1.5°	3rd Angle Projection
Date	14/05/21		



This drawing is confidential and copyright of Global Connector Technology, Ltd (GCT). This drawing must not be copied or disclosed without written consent. E & OE



Not to Scale	Drawn By AJO	Sheet No. 1/2
--------------	--------------	---------------



Part Number	Specification	Q'ty
Carrier Tape	32.0mm (W) x 5.184m (L)	8
Cover Tape	25.5mm (W)	47.272m
Reel	Ø330 x 32.5mm	8
Vacuum Bag	PE	8
Cardboard Triangles	260 x 245x 5mm	4
Inner Carton	340 x 340 x 300mm	1
Outer Carton	355 x 355 x 320mm	1
EPE Board	350 x 350 x 10mm	1

Part Number	Pcs./Reel	Reels/Carton	Pcs./Carton
USB1046	200	8	1600

Part Number USB1046		Product Description USB Receptacle, Type A, 4 Pin, Surface Mount, Horizontal, Top Mount, with Shell Stakes	
Drawing Date 8th September 2014			
By CC	Tolerances (Except as Noted) Length Angle	Units: Metric (mm)	 <small>This drawing is confidential and copyright of Global Connector Technology, Ltd (GCT). This drawing must not be copied or disclosed without written consent. E & OE</small>
Detail USB1046 B PCN			
Revision B3			
Date 14/05/21			



X-ON Electronics

Largest Supplier of Electrical and Electronic Components

Click to view similar products for [USB Connectors](#) category:

Click to view products by [GCT](#) manufacturer:

Other Similar products are found below :

[65-647-8-BK-BU](#) [950](#) [952](#) [E8144-B01021-L](#) [A-USB B-TOP-C](#) [MUSBA511N5](#) [MUSBD11135](#) [217450-1](#) [KMBVX-TH-5S-B30](#) [896-30-004-00-000000](#) [KUSBVX-BS1N-W30](#) [KUSBX-AP-KIT-SCBLK](#) [KUSBX-AS2N-W](#) [KUSBX-SMT2AP1S-W](#) [KUSBX-SMT2AP1S-W30](#) [935](#) [957](#) [30-498-6](#) [17-210051](#) [1734082-1](#) [30-1574](#) [30-470](#) [30-489](#) [30-541](#) [30-572-3](#) [A-USB A-2P-C](#) [MIKROE-1451](#) [USBFTV2PEM2G](#) [USBFTVC6ZN](#) [KUSBX-AS2N-W30](#) [KUSBX-SLAS1N-W](#) [KUSBX-SMT-AS1N-W30](#) [4689-1](#) [1-1734084-2](#) [E8110-001-01](#) [33UBARS1-04SW11](#) [33UBAR-04SW11](#) [USBF21ZNSCC](#) [USBBFTV6ZC](#) [10135326-001LF](#) [USB-A-S-F-B-VT](#) [925](#) [4198](#) [690-024-633-031](#) [KUSBEX-BSFS1N-W](#) [USBFTVC6MRG](#) [UA-20BMFA-SL8001](#) [17-250101](#) [USBFTVC7ZC](#) [USBFTV75NF459](#)