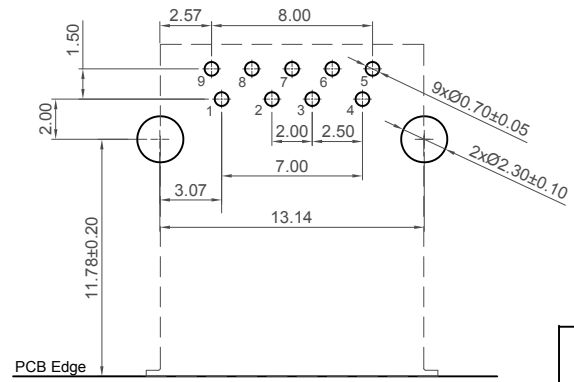
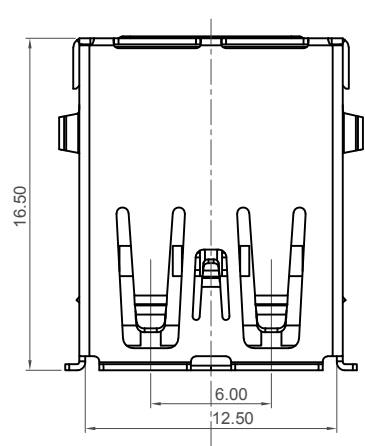
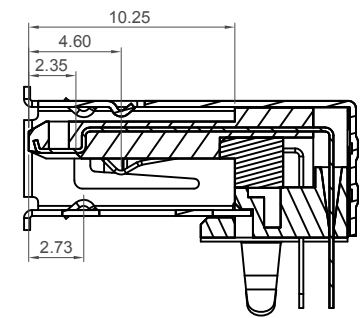
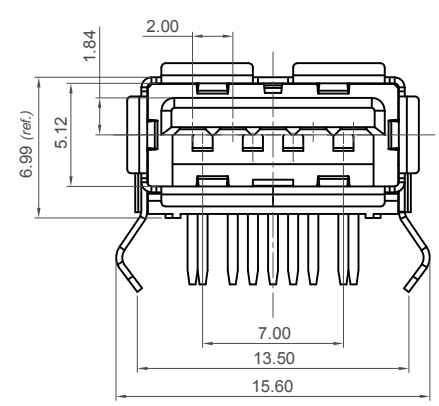
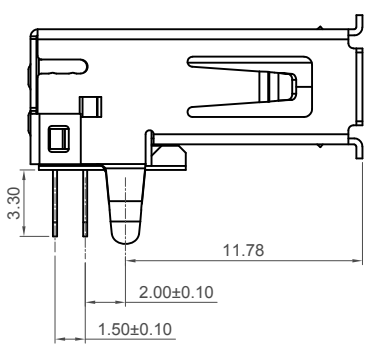
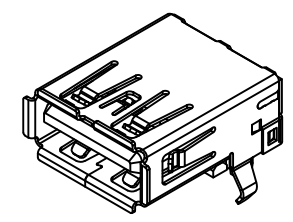


H  
G  
F  
E  
D  
C  
B  
A

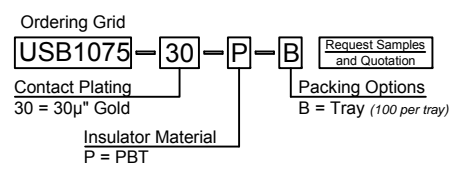
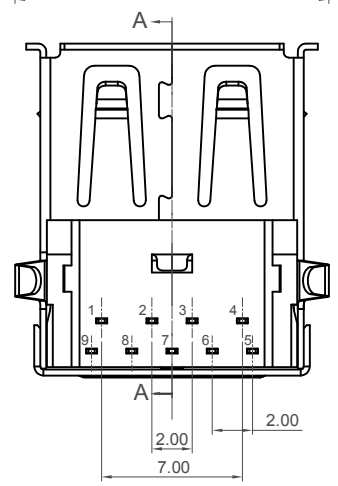


**Recommended P.C.B Layout**  
as viewed from component side  
□ Component Outline

Designed to comply with physical, electrical and environmental requirements of full size USB Standard Compliance (USB3.0).



Section A-A



**Specifications**

**Material**

Plastic Housing: PBT, UL94V-0, Blue  
Contact Terminal: Copper Alloy  
Metallic Shell: Copper Alloy

**Plating**

Underplating: Nickel  
Contact Area: 30µ" Gold  
Solder Tails: 100µ" min. Tin  
Metallic Shell: Nickel

**Electrical**

Voltage Rating: 100V  
Current Rating:  
0.25 A (Signal Pins 2,3,5,6,7,8,9)  
1.8 A (Power Pins 1,4)  
Operating Temperature: -55°C to +85°C  
Contact Resistance: 30 mΩ max.  
Insulating Resistance: 1000 MΩ min.  
Dielectric Withstand Voltage: 100V AC

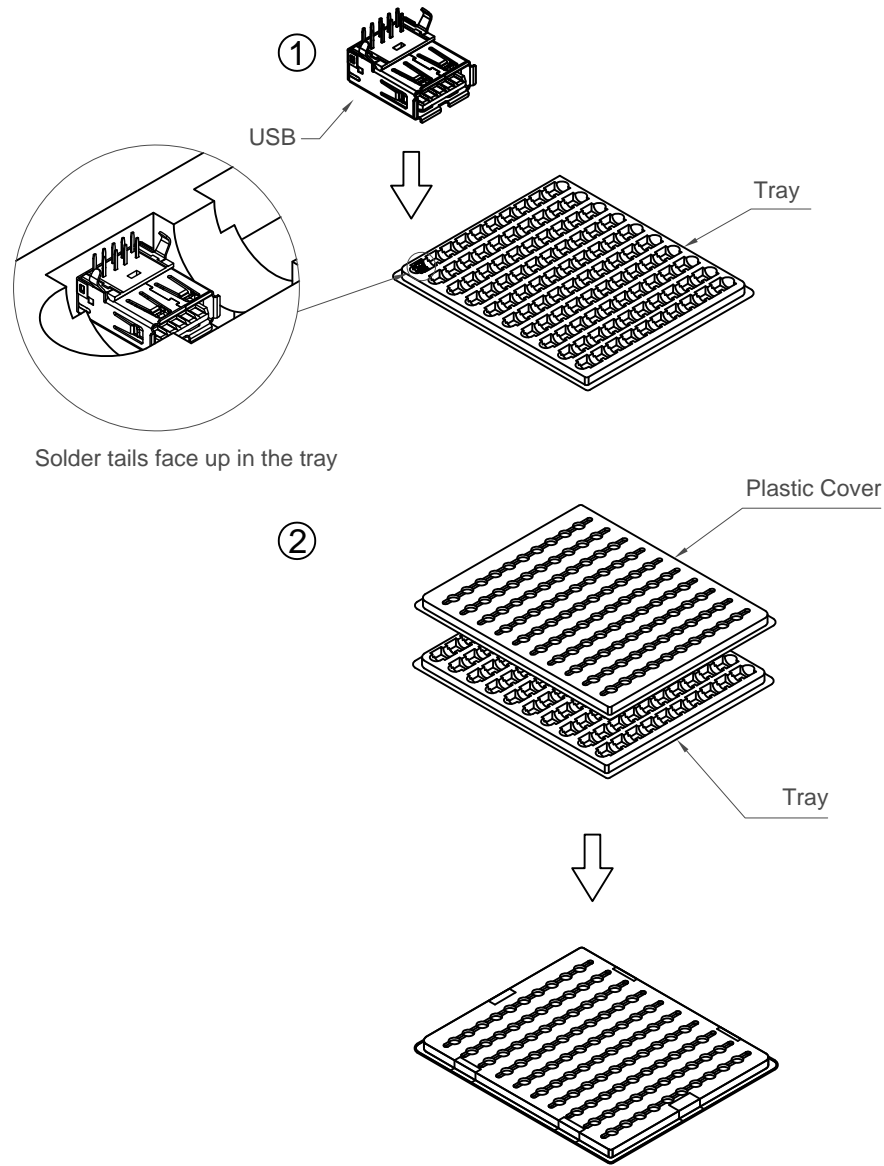
**Mechanical & Environmental**

Mating Force: 35N max.  
Unmating Force: 10N initial, 8N min. after test  
Durability: 5,000 Cycles

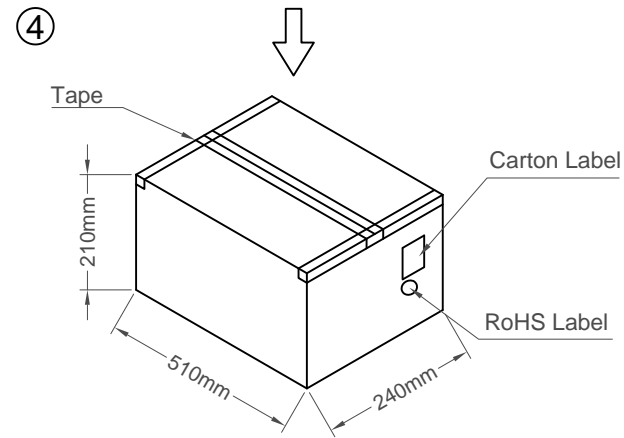
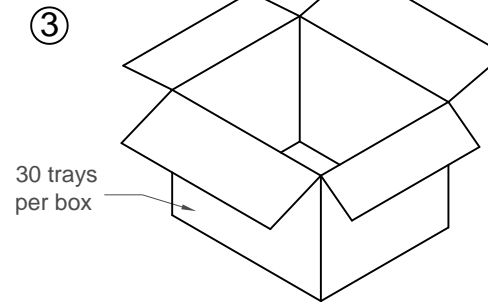
Part Number		Product Description			This drawing is confidential and copyright of Global Connector Technology, Ltd (GCT). This drawing must not be copied or disclosed without written consent. E & OE
USB1075		USB 3.0 Receptacle, Type A, Through Hole, Horizontal, 9 Pin, Top Mount, with Kinked Shell Stakes			
Drawing Date		16th May 2011			
By	CC	Tolerances (Except as Noted)	Units:	3rd Angle Projection	Not to Scale
Detail	USB1075	Length	Metric (mm)		
Revision	E PCN	Angle			
Date	E2	X.X ± 0.40 X.XX ± 0.25 X.XXX ± 0.05	X.X° ± 2° X.XX° ± 1° X.XXX° ± 0.5°		



H  
G  
F  
E  
D  
C  
B  
A



Products P/N	PCS/Tray	Trays/Carton	PCS/Carton
USB1075	100	30	3000



Part Number		Product Description	
USB1075		USB 3.0 Receptacle, Type A, Through Hole, Horizontal, 9 Pin, Top Mount, with Kinked Shell Stakes	
Drawing Date		16th May 2011	
By	CC	Tolerances (Except as Noted)	Units:
Detail	USB1075 E PCN	Length X.X ± 0.40 X.XX ± 0.25 X.XXX ± 0.05	Metric (mm)
Revision	E2	Angle X.X° ± 2° X.XX° ± 1° X.XXX° ± 0.5°	3rd Angle Projection
Date	28/04/21		



This drawing is confidential and copyright of Global Connector Technology, Ltd (GCT). This drawing must not be copied or disclosed without written consent. E & OE



Not to Scale	Drawn By AJO	Sheet No. 2/2
--------------	--------------	---------------

1 2 3 4 5 6 7 8

## X-ON Electronics

Largest Supplier of Electrical and Electronic Components

*Click to view similar products for [USB Connectors](#) category:*

*Click to view products by [GCT](#) manufacturer:*

Other Similar products are found below :

[65-647-8-BK-BU](#) [950](#) [952](#) [E8144-B01021-L](#) [A-USB B-TOP-C](#) [MUSBA511N5](#) [MUSBD11135](#) [217450-1](#) [KMBVX-TH-5S-B30](#) [896-30-004-00-000000](#) [KUSBVX-BS1N-W30](#) [KUSBX-AP-KIT-SCBLK](#) [KUSBX-AS2N-W](#) [KUSBX-SMT2AP1S-W](#) [KUSBX-SMT2AP1S-W30](#) [935](#) [957](#) [30-498-6](#) [SK-60A-2](#) [17-210051](#) [1734082-1](#) [30-1574](#) [30-470](#) [30-489](#) [30-541](#) [30-572-3](#) [A-USB A-2P-C](#) [MIKROE-1451](#) [USBFTV2PEM2G](#) [USBFTVC6ZN](#) [KUSBX-AS2N-W30](#) [KUSBX-SLAS1N-W](#) [KUSBX-SMT-AS1N-W30](#) [4689-1](#) [1-1734084-2](#) [E8110-001-01](#) [33UBARS1-04SW11](#) [33UBAR-04SW11](#) [USBF21ZNSCC](#) [USBBFTV6ZC](#) [10135326-001LF](#) [M9177/3-1](#) [USB-A-S-F-B-VT](#) [925](#) [4198](#) [690-024-633-031](#) [KUSBEX-BSFS1N-W](#) [USBFTVC6MRG](#) [UA-20BMFA-SL8001](#) [17-250101](#)