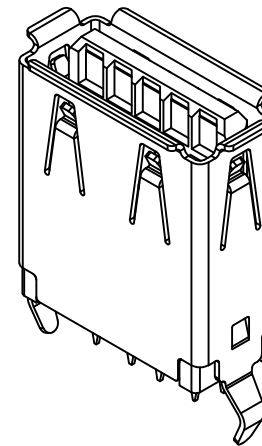


**Recommended PCB Layout (Top View)**  
T=1.6mm (General Tolerances: ±0.05mm)



**Specifications**

**Materials & Plating**

Plastic Housing: LCP, Blue, UL94V-0  
Contact Terminal: Copper Alloy, T=0.20mm  
Metallic Shell: SUS201, T=0.30mm

**Plating:**

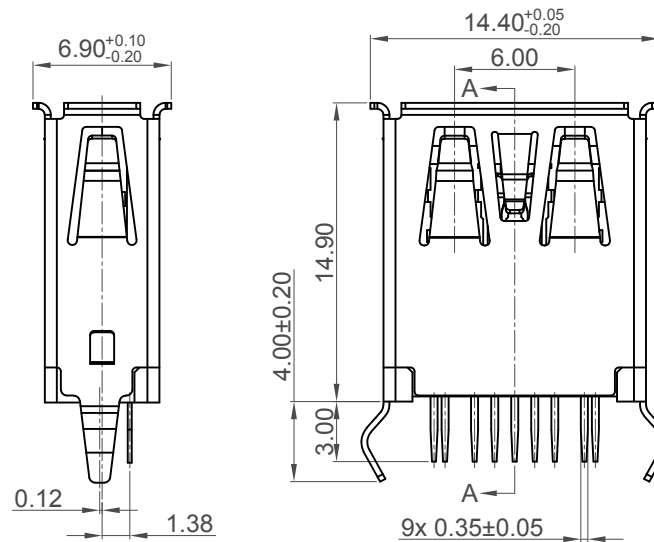
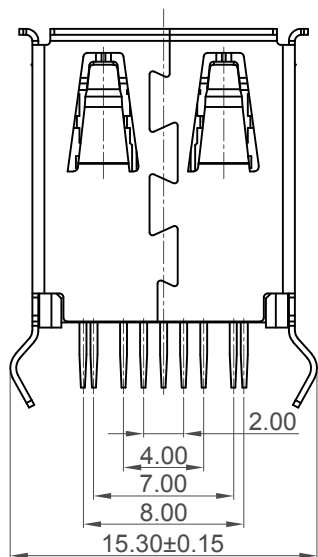
Contact:  
Contact Area: Gold Flash  
Solder Tails: 100u" min. Tin  
Underplating: 50u" min. Nickel  
Shell: 50u" min. Nickel Plating Overall

**Electrical:**

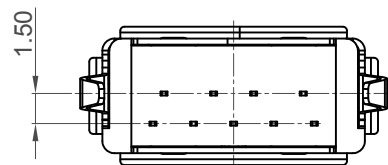
Voltage Rating: 30V  
Current Rating: 0.25A (Signal Pins)  
3.0A (Power Pins)  
Operating Temperature: -40°C to +85°C  
Contact Resistance:  
30 mΩ max. (Power Pins)  
50 mΩ max. (Signal Pins)  
Insulation Resistance: 100 MΩ min.  
Dielectric Withstand Voltage: 100V R.M.S.

**Mechanical:**

Mating Force: 35N max.  
Unmating Force: 10N min. Initial  
8N min. Final  
Durability: 20000 Cycles



**Section A-A**



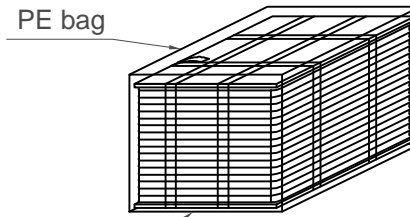
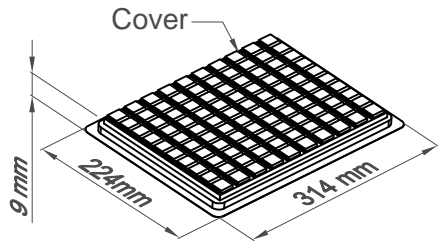
Pin No.	Signal
1	VBUS
2	D-
3	D+
4	GND
5	STDA_SSRX-
6	STDA_SSRX+
7	GND_DRAIN
8	STDA_SSTX-
9	STDA_SSTX+

**Ordering Grid**

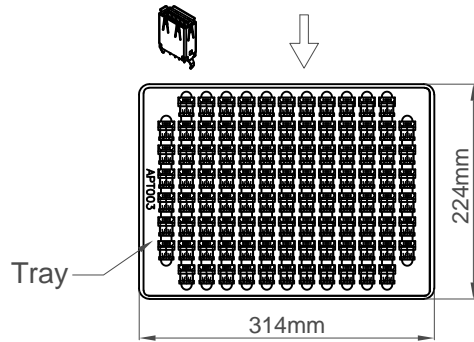
**USB1086** - **GF** - **B** Request Samples and Quotation

Contact Plating: GF = Gold Flash  
Packing Options: B = Tray (100 per tray)

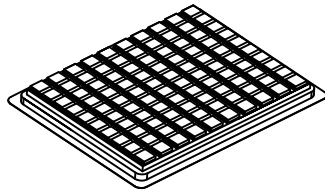
Part Number USB1086		Product Description USB 3.0 Receptacle, Type A, Through Hole, Vertical, Top Mount		
Drawing Date 06th January 2020				
By	CC	Tolerances (Except as Noted)	Units:	
Detail	Drawing Release	Length X.X ± 0.35 X.XX ± 0.25	Metric (mm)	
Revision	A2	Angle X.° ± 3.0° X.X° ± 1.5°		
Date	08/12/20			
This drawing is confidential and copyright of Global Connector Technology, Ltd (GCT). This drawing must not be copied or disclosed without written consent. E & OE				©
Not to Scale	Drawn By CC	Sheet No. 1/2		



32 Trays/Stack

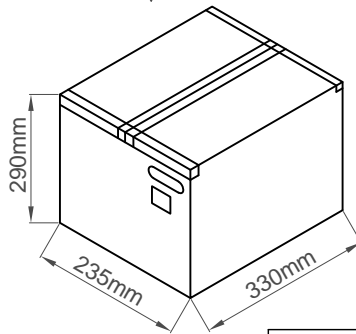
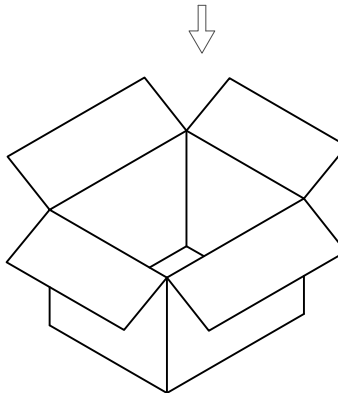
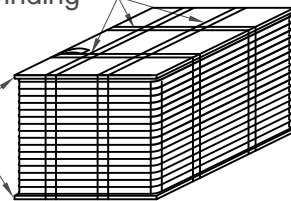


100PCS/tray



Use stretch film winding

Carboard



PCS/Tray	Trays/Carton	PCS/Carton
100	32	3200

Part Number		Product Description	
USB1086		USB 3.0 Receptacle, Type A, Through Hole, Vertical, Top Mount	
Drawing Date		06th January 2020	
By	CC	Tolerances (Except as Noted)	Units:
Detail	Drawing Release	Length	Metric (mm)
Revision	A2	$X.X \pm 0.35$	$X.^{\circ} \pm 3.0^{\circ}$
Date	08/12/20	$X.XX \pm 0.25$	$X.X^{\circ} \pm 1.5^{\circ}$
		3rd Angle Projection	
		This drawing is confidential and copyright of Global Connector Technology, Ltd (GCT). This drawing must not be copied or disclosed without written consent. E & OE	



Not to Scale	Drawn By CC	Sheet No. 2/2
--------------	----------------	------------------

## X-ON Electronics

Largest Supplier of Electrical and Electronic Components

*Click to view similar products for [USB Connectors](#) category:*

*Click to view products by [GCT](#) manufacturer:*

Other Similar products are found below :

[65-647-8-BK-BU](#) [950](#) [952](#) [E8144-B01021-L](#) [A-USB B-TOP-C](#) [MUSBA511N5](#) [MUSBD11135](#) [217450-1](#) [KMBVX-TH-5S-B30](#) [896-30-004-00-000000](#) [KUSBVX-BS1N-W30](#) [KUSBX-AP-KIT-SCBLK](#) [KUSBX-AS2N-W](#) [KUSBX-SMT2AP1S-W](#) [KUSBX-SMT2AP1S-W30](#) [935](#) [957](#) [30-498-6](#) [17-210051](#) [1734082-1](#) [30-1574](#) [30-470](#) [30-489](#) [30-541](#) [30-572-3](#) [A-USB A-2P-C](#) [MIKROE-1451](#) [USBFTV2PEM2G](#) [USBFTVC6ZN](#) [KUSBX-AS2N-W30](#) [KUSBX-SLAS1N-W](#) [KUSBX-SMT-AS1N-W30](#) [4689-1](#) [1-1734084-2](#) [E8110-001-01](#) [33UBARS1-04SW11](#) [33UBAR-04SW11](#) [USBF21ZNSCC](#) [USBBFTV6ZC](#) [10135326-001LF](#) [USB-A-S-F-B-VT](#) [925](#) [4198](#) [690-024-633-031](#) [KUSBEX-BSFS1N-W](#) [USBFTVC6MRG](#) [UA-20BMFA-SL8001](#) [17-250101](#) [USBFTVC7ZC](#) [USBFTV75NF459](#)