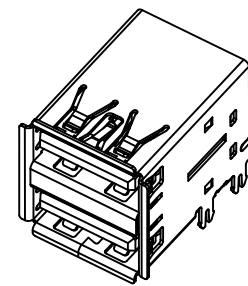
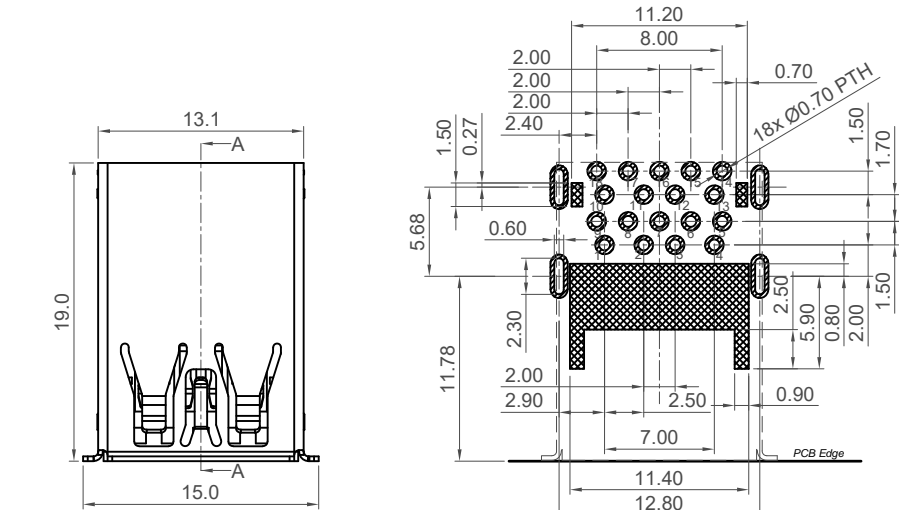
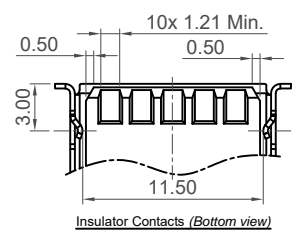
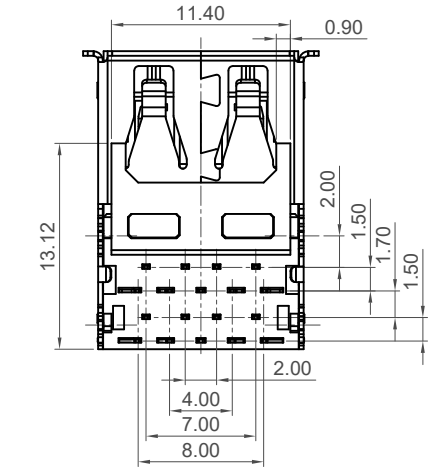
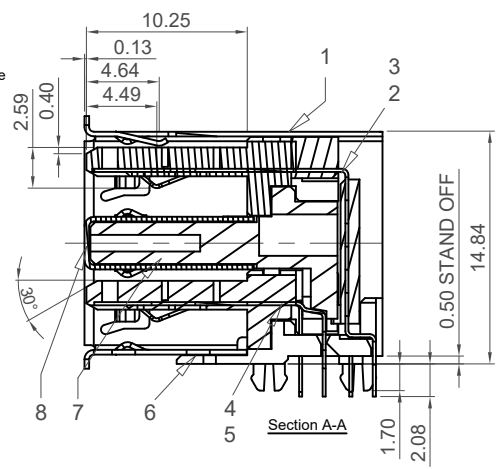
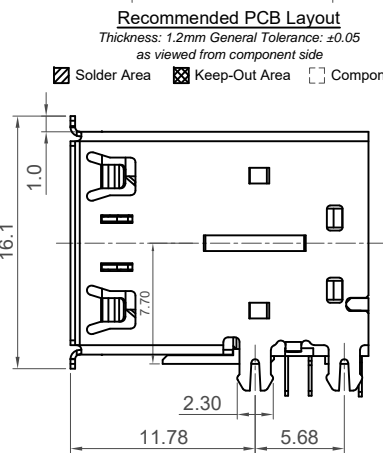
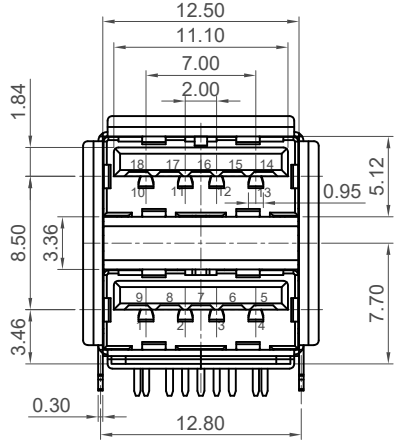


H
G
F
E
D
C
B
A



No.	Part Name	Material	Finish	Q'ty
1	Cover	SUS201	Ni Plating	1
2	Top Housing	PA9T		1
3	Top Pin	C5210 EH	Au Plating	1
4	Bottom Housing	PA9T		1
5	Bottom Pin	C5210 EH	Au Plating	1
6	Base	PA9T		1
7	Spacer	PA9T		1
8	Mid-Plate	SUS201	Degrease	

PIN LAYOUT			
PIN No.	SIGNAL NAME	DESCRIPTION	MATING SEQUENCE
1	VBUS	Power	Second
2	D-	USB2.0 Differential pair	Third
3	D+		
4	GND	Ground for power return	Second
5	StdA_SSRX-	Superspeed receiver differential pair	Last
6	StdA_SSRX+		
7	GND_DRAIN	Ground for signal return	
8	StdA_SSTX-	Superspeed transmitter differential pair	
9	StdA_SSTX+		
SHELL	SHIELD	Connector metal shell	First



Designed to comply with physical, electrical and environmental requirements of full size USB Standard Compliance (USB3.0).

Ordering Grid
USB1100-30-A
 Contact Plating: 30 = 30µ" Gold
 Packing Options: A = Tape & Reel (200 per reel)
 Request Samples and Quotation

Specifications

Material
 Plastic Housing: PA9T, UL94V-0, Blue
 Terminal: Copper Alloy
 Metallic Shell: SUS201 (T=0.30mm)

Plating (See table above for more info)
 Terminal:
 Contact Area: Gold (See ordering grid)
 Solder Tails: 80µ" min. Tin
 Underplating: 50µ" min. Nickel
 Metallic Shell: 50µ" min. Nickel

Electrical
 Voltage Rating: 100 V AC
 Current Rating:
 0.25A (Signal Pins 2,3,5,6,7,8,9)
 1.8A (Power Pins 1,4)
 Operating Temperature: -55°C to +85°C
 Contact Resistance: 30 mΩ max.
 Insulating Resistance: 1000 MΩ min.
 Dielectric Withstand Voltage: 500V AC/minute

Mechanical & Environmental
 Mating Force: 35N max.
 Unmating Force: 10N min. initial, 8N min. after test
 Durability: 5000 Cycles

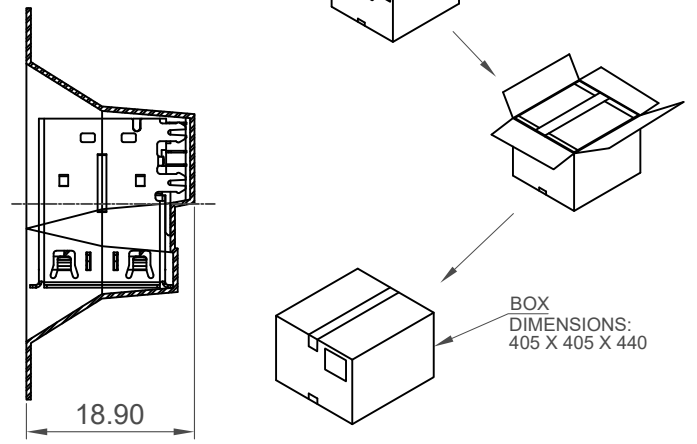
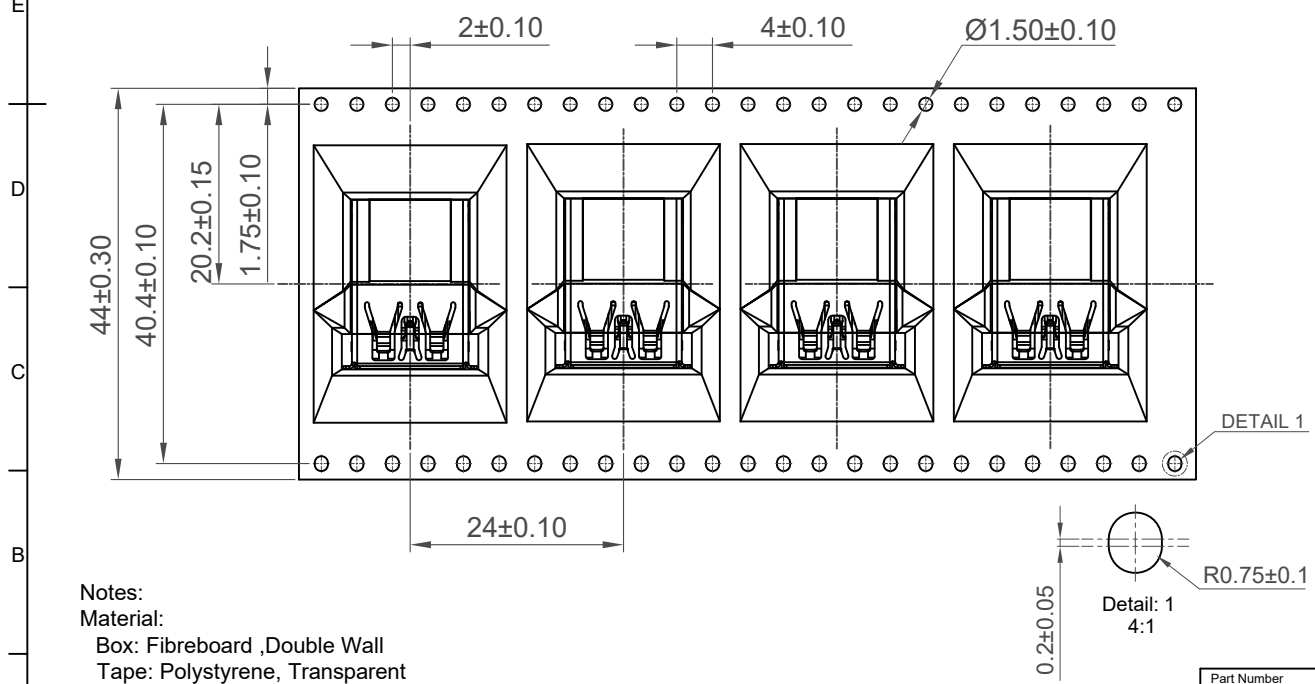
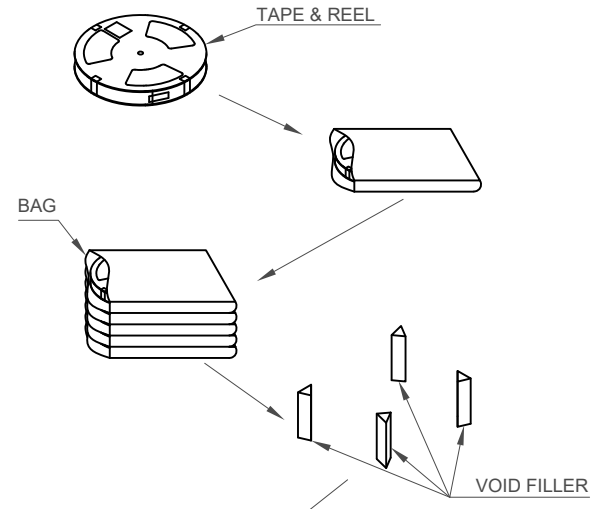
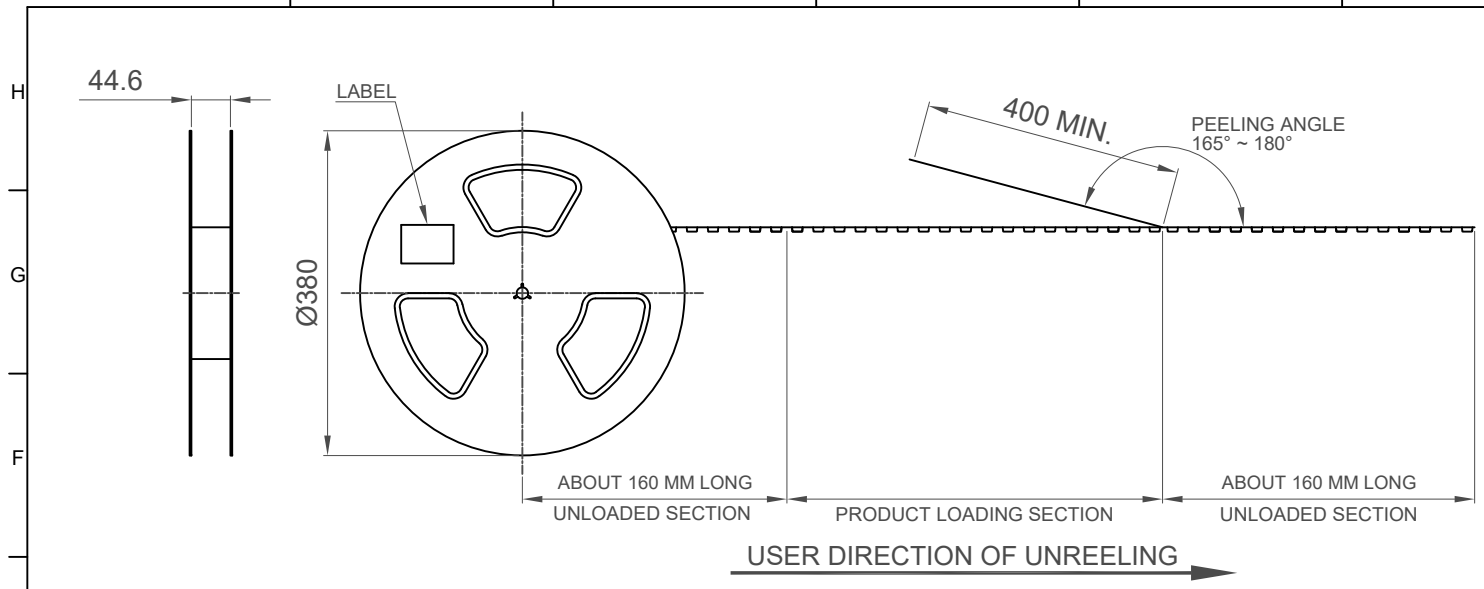
Part Number		Product Description	
USB1100		USB 3.0 Dual Receptacle, Full Size, Type A, Top Mount, Horizontal, Through-Hole	
Drawing Date		20th February 2013	
By	CC	Tolerances (Except as Noted)	Units:
Detail	USB1100 C PCN	X. ± 0.50 XX ± 0.38 X.XX ± 0.20 X.XXX ± 0.10	Metric (mm)
Revision	C1	± 2°	3rd Angle Projection
Date	24/08/21		



This drawing is confidential and copyright of Global Connector Technology, Ltd (GCT). This drawing must not be copied or disclosed without written consent. E & OE



Not to Scale	Drawn By AJO	Sheet No. 1/2
--------------	--------------	---------------



Notes:
 Material:
 Box: Fibreboard ,Double Wall
 Tape: Polystyrene, Transparent
 Heat Resistant Temperature: 120°C
 Reel: Polystyrene, Blue
 Heat Resistant Temperature: 70°C
 Bag: Polyethylene ,Heat Resistant Temperature: 100°C

Packing Spec
 1. Peeling strength: 0.1N~1.3N (10~130grams)
 2. Peeling Speed: 300 mm/min
 3. Each bag will include desiccant.

Products P/N	PCS/Reel	Reels/Carton	PCS/Carton
USB1100	200	8	1600

Part Number USB1100		Product Description USB 3.0 Dual Receptacle, Full Size, Type A, Top Mount, Horizontal, Through-Hole	
Drawing Date 20th February 2013			
By CC	Tolerances (Except as Noted) Length	Units: Metric (mm)	 <small>This drawing is confidential and copyright of Global Connector Technology, Ltd (GCT). This drawing must not be copied or disclosed without written consent. E & OE</small>
Detail USB1100 C PCN	Angle		
Revision C1			
Date 24/08/21			

Not to Scale Drawn By AJO Sheet No. 2/2

X-ON Electronics

Largest Supplier of Electrical and Electronic Components

Click to view similar products for [USB Connectors](#) category:

Click to view products by [GCT](#) manufacturer:

Other Similar products are found below :

[65-647-8-BK-BU](#) [950](#) [952](#) [E8144-B01021-L](#) [A-USB B-TOP-C](#) [MUSBA511N5](#) [MUSBD11135](#) [217450-1](#) [KMBVX-TH-5S-B30](#) [896-30-004-00-000000](#) [KUSBVX-BS1N-W30](#) [KUSBX-AP-KIT-SCBLK](#) [KUSBX-AS2N-W](#) [KUSBX-SMT2AP1S-W](#) [KUSBX-SMT2AP1S-W30](#) [935](#) [957](#) [30-498-6](#) [SK-60A-2](#) [17-210051](#) [1734082-1](#) [30-1574](#) [30-470](#) [30-489](#) [30-541](#) [30-572-3](#) [A-USB A-2P-C](#) [MIKROE-1451](#) [USBFTV2PEM2G](#) [USBFTVC6ZN](#) [KUSBX-AS2N-W30](#) [KUSBX-SLAS1N-W](#) [KUSBX-SMT-AS1N-W30](#) [4689-1](#) [1-1734084-2](#) [E8110-001-01](#) [33UBARS1-04SW11](#) [33UBAR-04SW11](#) [USBF21ZNSCC](#) [USBBFTV6ZC](#) [10135326-001LF](#) [M9177/3-1](#) [USB-A-S-F-B-VT](#) [925](#) [4198](#) [690-024-633-031](#) [KUSBEX-BSFS1N-W](#) [USBFTVC6MRG](#) [UA-20BMFA-SL8001](#) [17-250101](#)