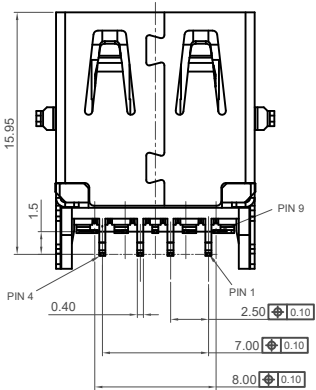
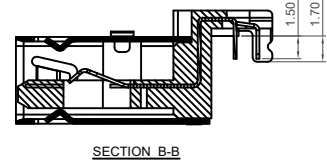
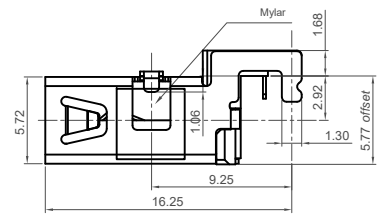
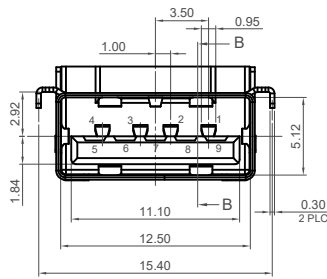
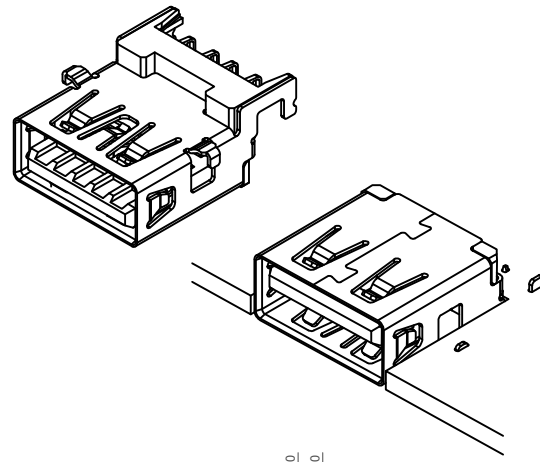


Recommended PCB Layout
as viewed from component side. Tolerance: ±0.05mm
□ Component Outline ■ Keep Out Area



PIN No.	SIGNAL NAME	DESCRIPTION	MATING SEQUENCE
1	VBUS	POWER	SECOND
2	D-	USB2.0 DIFFERENTIAL PAIR	THIRD
3	D+		
4	GND	GROUND FOR POWER RETURN	SECOND
5	StdA_SSRX-	SUPERSPEED RECEIVER DIFFERENTIAL PAIR	LAST
6	StdA_SSRX+		
7	GND_DRAIN	GROUND FOR SIGNAL RETURN	
8	StdA_SSTX-	SUPERSPEED TRANSMITTER DIFFERENTIAL PAIR	
9	StdA_SSTX+		
SHELL	Shield	CONNECTOR METAL SHELL	FIRST

Ordering Grid

USB1110 - **30** - **A** Request Samples and Quotation

Contact Plating
30 = 30µ" Gold

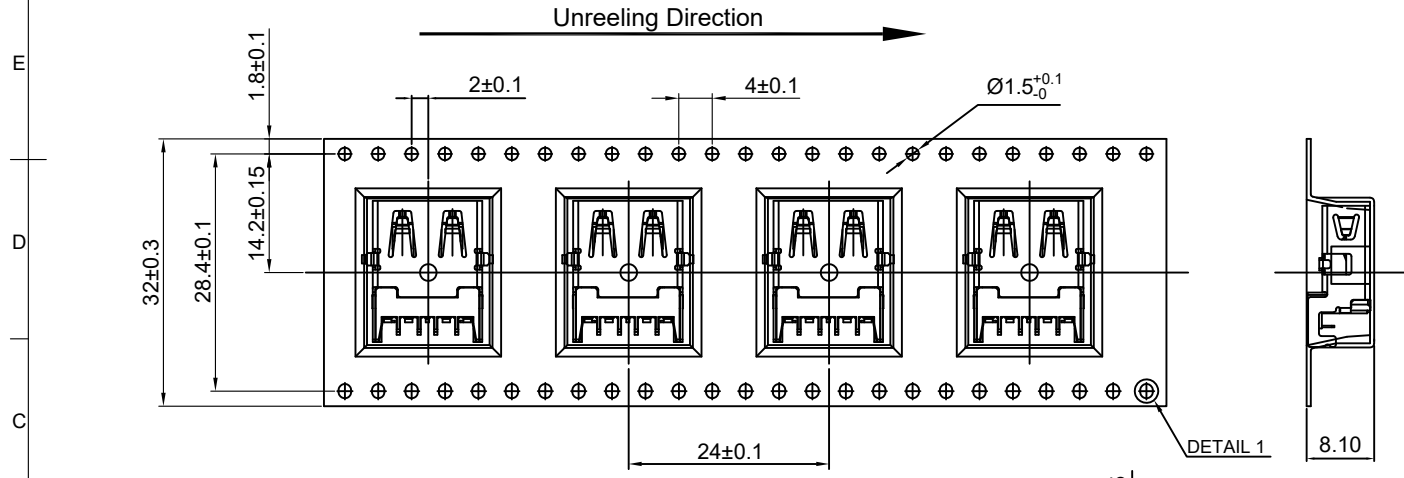
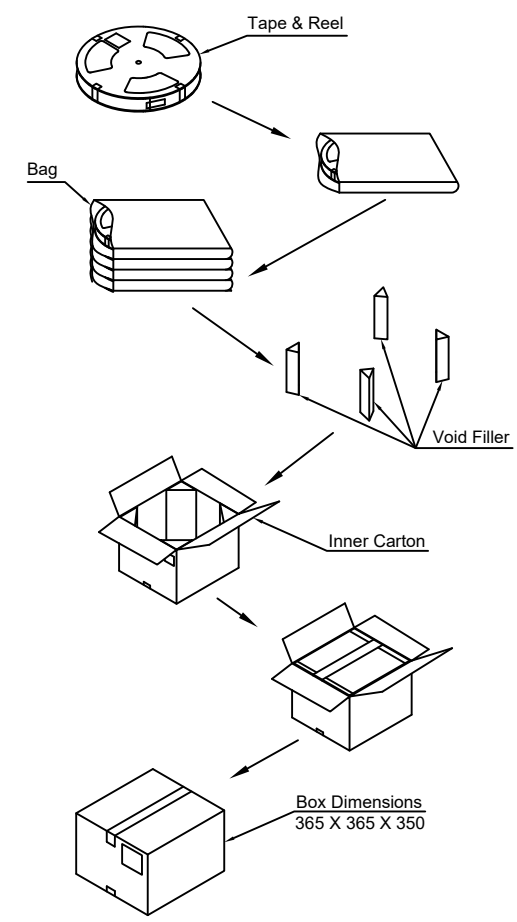
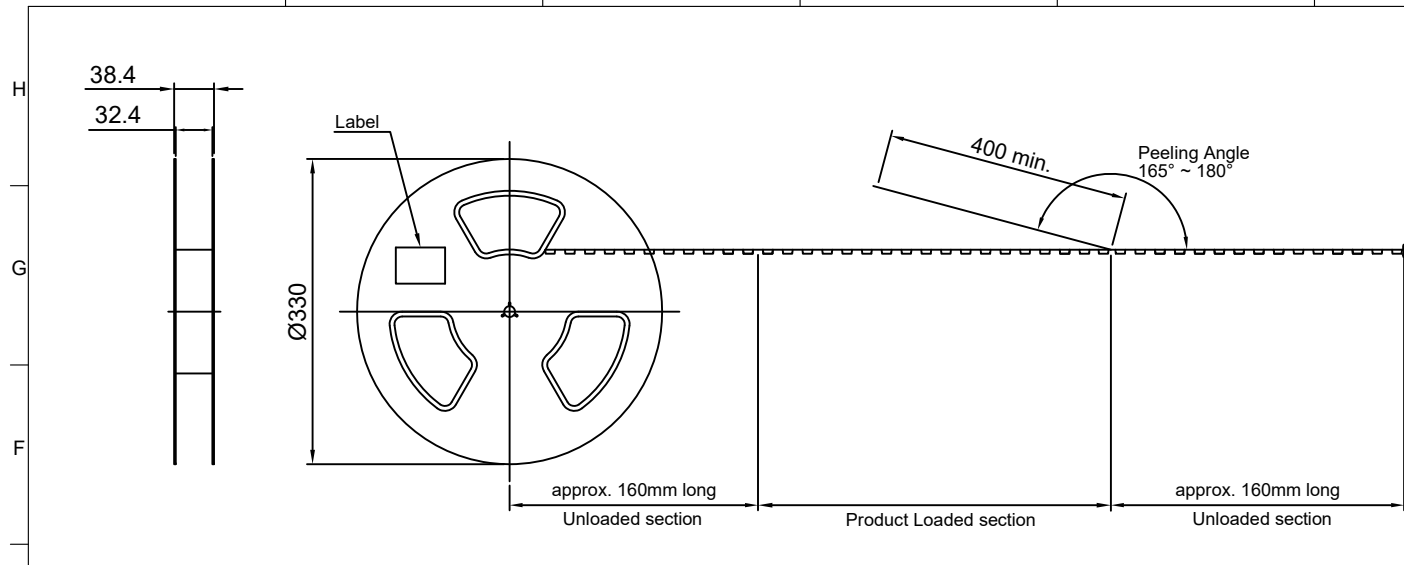
Packing Options
A = Tape & Reel
(350 per reel)

Part Number		Product Description	
USB1110		USB 3.0 Receptacle, Full Size, Type A,	
Drawing Date		Mid-Bottom Mount, Horizontal, Through-Hole	
20th February 2013			
By	AJO	Tolerances (Except as Noted)	Units:
Detail	Drawing Release	Length X ± 0.50 X.X ± 0.38 X.XX ± 0.20 X.XXX ± 0.10	Metric (mm)
Revision	A1	Angle ± 2°	3rd Angle Projection
Date	09/12/14		

GCT
www.gct.co

This drawing is confidential and copyright of Global Connector Technology, Ltd (GCT).
This drawing must not be copied or disclosed without written consent. E & OE

Not to Scale Drawn By AJO Sheet No. 1/2



Note:

- Material:
 Box: Fibreboard, Corrugated, Double Wall.
 Tape: Polystyrene, Heat-Resistant Temperature: 120°C, Color: Black.
 Reel: Polystyrene, Heat-Resistant Temperature: 70°C, Color: Blue.
 Bag: Polystyrene, Heat-Resistant Temperature: 100°C.

- Peeling Strength: 0.1 ~ 1.3 N (10 ~ 130 Grams)
- Peeling Speed: 300 mm/min.
- Each bag includes desiccant.

Product no.	PCS/Reel	Reels/Carton	PCS/Carton
USB1110	350	8	2800

DETAIL 1
4:1

Part Number		Product Description	
USB1110		USB 3.0 Receptacle, Full Size, Type A,	
Drawing Date		Mid-Bottom Mount, Horizontal, Through-Hole	
20th February 2013			
By	AJO	Tolerances (Except as Noted)	Units:
Detail	Drawing Release	Length	Metric (mm)
Revision	A1	X ± 0.50	
Date	09/12/14	X.X ± 0.38	
		X.XX ± 0.20	
		X.XXX ± 0.10	Angle
			± 2°

GCT
www.gct.co

This drawing is confidential and copyright of Global Connector Technology, Ltd (GCT). This drawing must not be copied or disclosed without written consent. E & OE

Not to Scale Drawn By AJO Sheet No. 1/2

X-ON Electronics

Largest Supplier of Electrical and Electronic Components

Click to view similar products for [USB Connectors](#) category:

Click to view products by [GCT](#) manufacturer:

Other Similar products are found below :

[65-647-8-BK-BU](#) [950](#) [952](#) [E8144-B01021-L](#) [A-USB B-TOP-C](#) [MUSBA511N5](#) [MUSBD11135](#) [217450-1](#) [KMBVX-TH-5S-B30](#) [896-30-004-00-000000](#) [KUSBVX-BS1N-W30](#) [KUSBX-AP-KIT-SCBLK](#) [KUSBX-AS2N-W](#) [KUSBX-SMT2AP1S-W](#) [KUSBX-SMT2AP1S-W30](#) [935](#) [957](#) [30-498-6](#) [17-210051](#) [1734082-1](#) [30-1574](#) [30-470](#) [30-489](#) [30-541](#) [30-572-3](#) [A-USB A-2P-C](#) [MIKROE-1451](#) [USBFTV2PEM2G](#) [USBFTVC6ZN](#) [KUSBX-AS2N-W30](#) [KUSBX-SLAS1N-W](#) [KUSBX-SMT-AS1N-W30](#) [4689-1](#) [1-1734084-2](#) [E8110-001-01](#) [33UBARS1-04SW11](#) [33UBAR-04SW11](#) [USBF21ZNSCC](#) [USBBFTV6ZC](#) [10135326-001LF](#) [USB-A-S-F-B-VT](#) [925](#) [4198](#) [690-024-633-031](#) [KUSBEX-BSFS1N-W](#) [USBFTVC6MRG](#) [UA-20BMFA-SL8001](#) [17-250101](#) [USBFTVC7ZC](#) [USBFTV75NF459](#)