

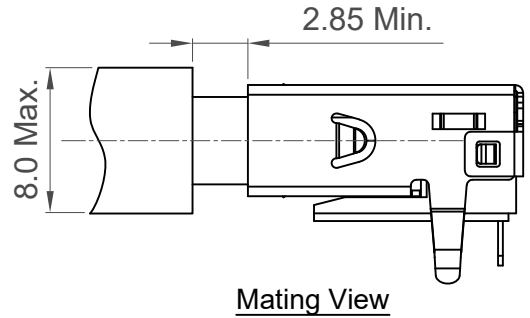
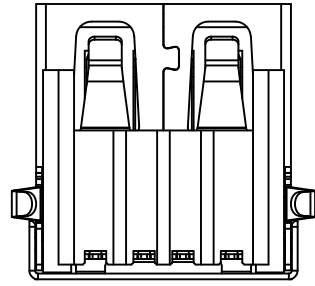
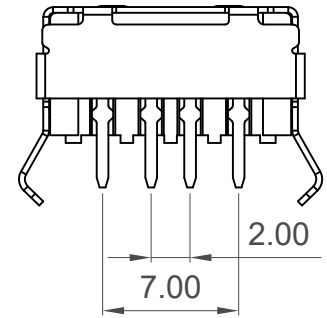
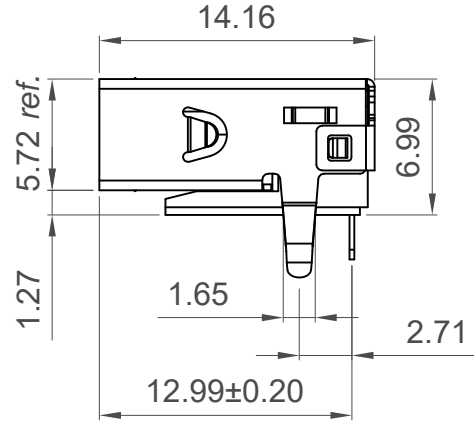
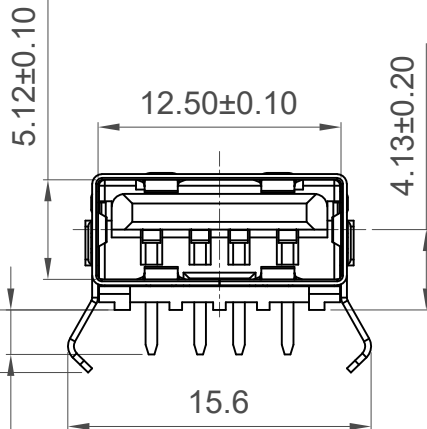
**Specifications**

**Material**  
 Insulator: LCP, E130i, UL94V-0, Black  
 Contact: C2680  
 Shell: SUS304

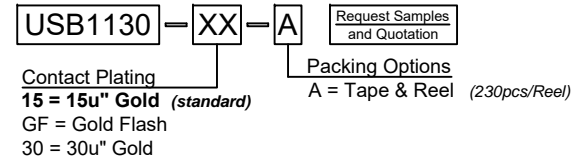
**Plating**  
**Terminal:**  
 Contact Area: See Ordering Grid  
 Solder Area: 100-150u" Tin  
 Underplating: 50-100u"Nickel  
 Shell: 50-120u"Nickel

**Electrical**  
 Current Rating: 3.0 Amp  
 Voltage Rating: 30V  
 Contact Resistance: 30 mΩ max.  
 Insulation Resistance: 1000 MΩ min.  
 Dielectric Withstand Voltage: 500 V AC

**Mechanical & Environmental**  
 Operating Temperature: -25°C to +85°C  
 Mating Force: 35N max.  
 Unmating Force: 10N min.  
 Durability: 10000 cycles



**Ordering Grid**



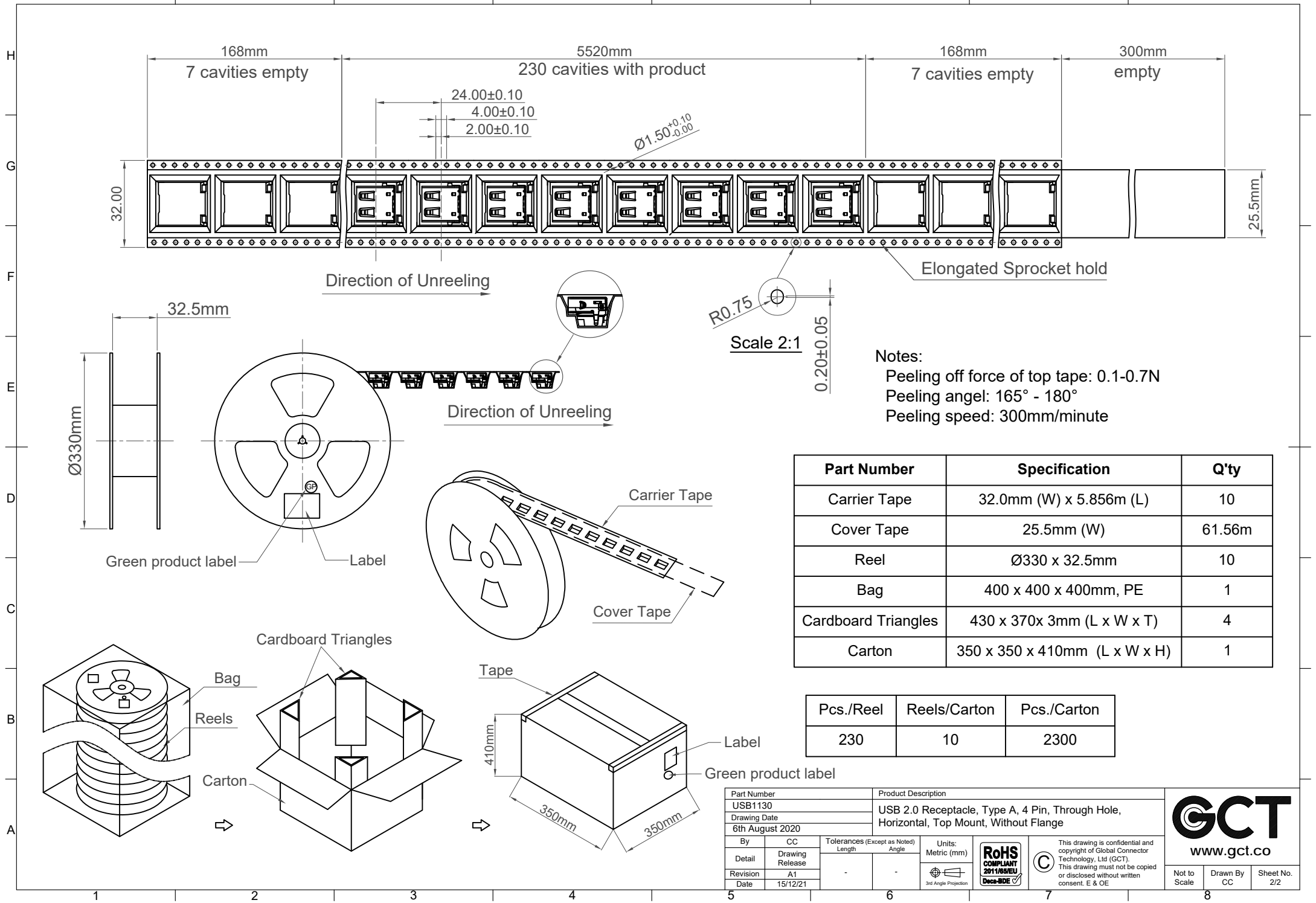
Part Number		Product Description	
USB1130		USB 2.0 Receptacle, Type A, 4 Pin, Through Hole, Horizontal, Top Mount, Without Flange	
Drawing Date		6th August 2020	
By	CC	Tolerances (Except as Noted)	Units:
Detail	Drawing Release	Length	Metric (mm)
Revision	A1	Angle	°
Date	15/12/21	X.X ± 0.35	X ° ± 3°
		X.XX ± 0.25	X.X ° ± 1.5°



This drawing is confidential and copyright of Global Connector Technology, Ltd (GCT). This drawing must not be copied or disclosed without written consent. E & OE



Not to Scale	Drawn By CC	Sheet No. 1/2
--------------	-------------	---------------



Notes:  
 Peeling off force of top tape: 0.1-0.7N  
 Peeling angle: 165° - 180°  
 Peeling speed: 300mm/minute

Part Number	Specification	Q'ty
Carrier Tape	32.0mm (W) x 5.856m (L)	10
Cover Tape	25.5mm (W)	61.56m
Reel	Ø330 x 32.5mm	10
Bag	400 x 400 x 400mm, PE	1
Cardboard Triangles	430 x 370x 3mm (L x W x T)	4
Carton	350 x 350 x 410mm (L x W x H)	1

Pcs./Reel	Reels/Carton	Pcs./Carton
230	10	2300

Part Number USB1130		Product Description USB 2.0 Receptacle, Type A, 4 Pin, Through Hole, Horizontal, Top Mount, Without Flange	
Drawing Date 6th August 2020			
By CC	Detail Drawing Release	Tolerances (Except as Noted) Length	Angle
Revision A1	Date 15/12/21		
		Units: Metric (mm)	
			This drawing is confidential and copyright of Global Connector Technology, Ltd (GCT). This drawing must not be copied or disclosed without written consent. E & OE



## X-ON Electronics

Largest Supplier of Electrical and Electronic Components

*Click to view similar products for [USB Connectors](#) category:*

*Click to view products by [GCT](#) manufacturer:*

Other Similar products are found below :

[950](#) [A-USB A-LP-SMT-C](#) [A-USB B-TOP-C](#) [MUSBA511N5](#) [MUSBD11135](#) [217450-1](#) [KMBVX-TH-5S-B30](#) [896-30-004-00-000000](#)  
[KUSBX-AS2N-W](#) [KUSBX-SMT2AP1S-W30](#) [935](#) [957](#) [30-498-6](#) [SK-60A-2](#) [1734082-1](#) [CIR08AF-20-27S-F80-20](#) [CIR08F-20](#) [30-1574](#) [30-470](#) [30-489](#) [30-541](#) [30-572-3](#) [A-USB A-2P-C](#) [MIKROE-1451](#) [USBFTV2PEM2G](#) [USBFTVC6ZN](#) [USBFTVSCCG](#) [4689-1](#) [1-1734084-2](#)  
[CIR08F-20-27P-F80-VO](#) [USBF21ZNSCC](#) [USBBFTV6ZC](#) [MUSBB151341](#) [10135326-001LF](#) [M9177/3-1](#) [USB-A-S-F-B-VT](#) [925](#) [4198](#) [690-024-633-031](#) [UB-20PMFP-LC7001](#) [USBFTVC6MRG](#) [UA-20BMFA-SL8001](#) [17-200011](#) [USBFTVC7ZC](#) [UB-20AFMM-LL7A01](#)  
[USBFTVC2MN](#) [CAP-WCCMLPB1](#) [CAP-WCCMLPC1](#) [2041386-1](#) [2274475-3](#)