

**Specifications**

**Material**

Insulator: See Ordering Grid, UL94 V-0  
 Contact: Copper Alloy, T=0.25mm  
 Shell: SUS304

**Plating**

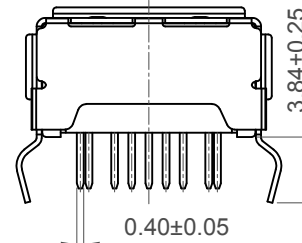
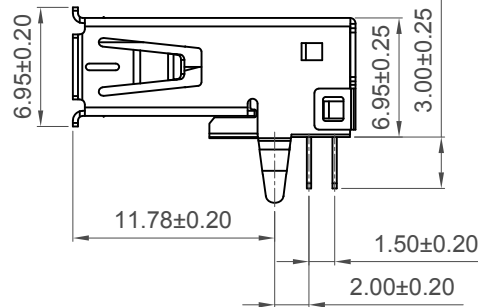
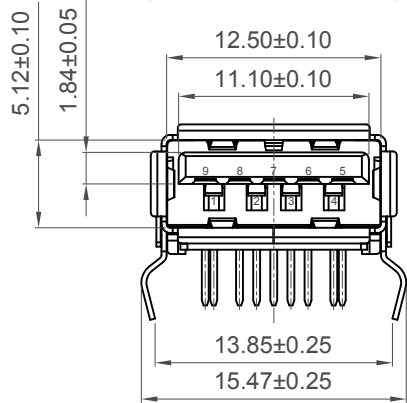
Terminal:  
 Contact Area: See Ordering Grid  
 Solder Area: 100u" Tin  
 Underplating: 50u" Nickel  
 Shell: 50u" min. Nickel

**Electrical**

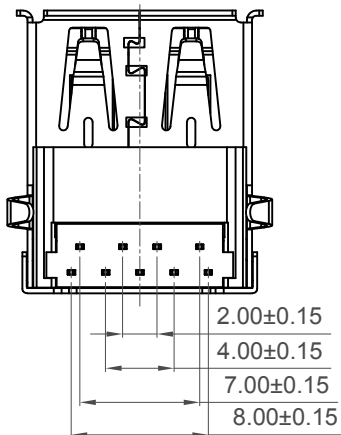
Voltage Rating: 30V  
 Current Rating: 0.25A (Signal Pins)  
 3.0A (Power and GND Pins)  
 Operating Temperature: -55°C to +85°C  
 Contact Resistance:  
 30 mΩ max. (Power Pins)  
 50 mΩ max. (Signal Pins)  
 Insulation Resistance: 100 MΩ min.  
 Dielectric Withstand Voltage: 100V R.M.S.

**Mechanical:**

Mating Force: 35N max.  
 Unmating Force: 10N min. Initial  
 8N. min. Final  
 Durability: 20000 cycles

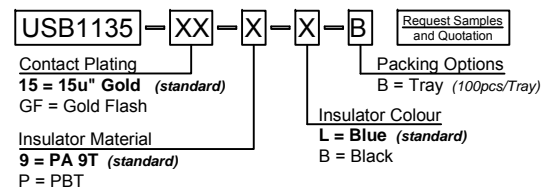


**Recommended PCB Layout**  
 Thickness=1.6mm Tolerance:±0.05mm



Pin No.	Signal
1	VBUS
2	D-
3	D+
4	GND
5	SSRX-
6	SSRX+
7	GND
8	SSTX-
9	SSTX+

**Ordering Grid**



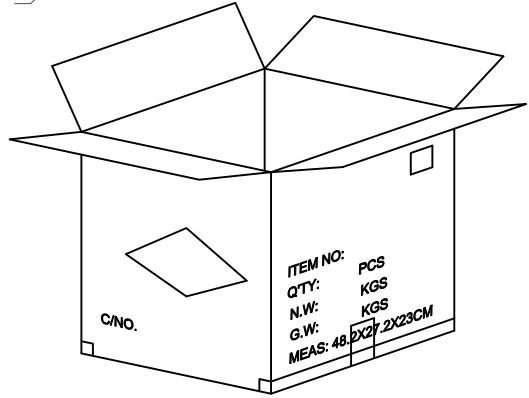
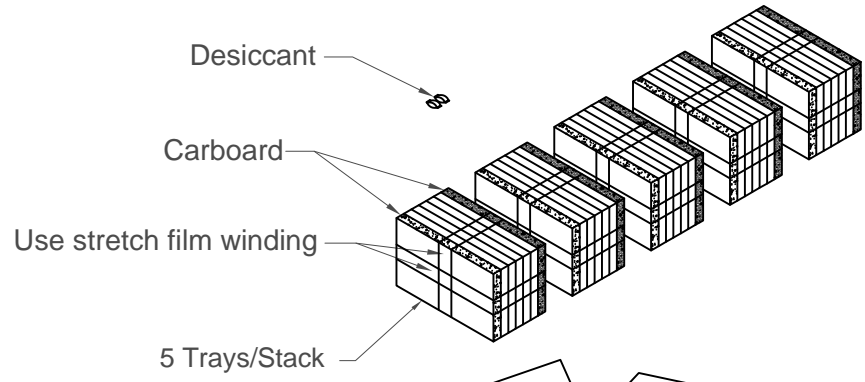
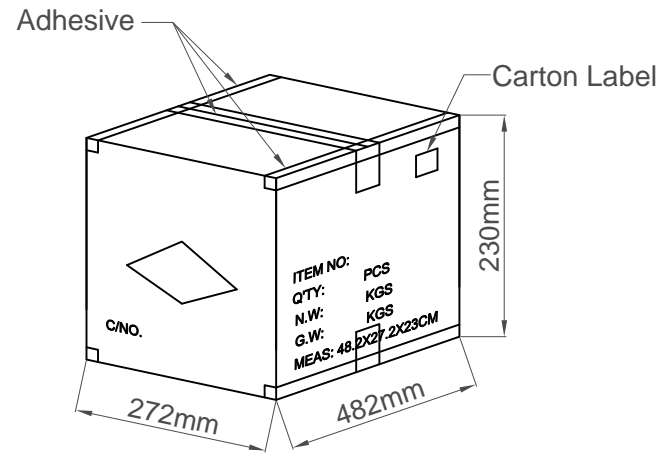
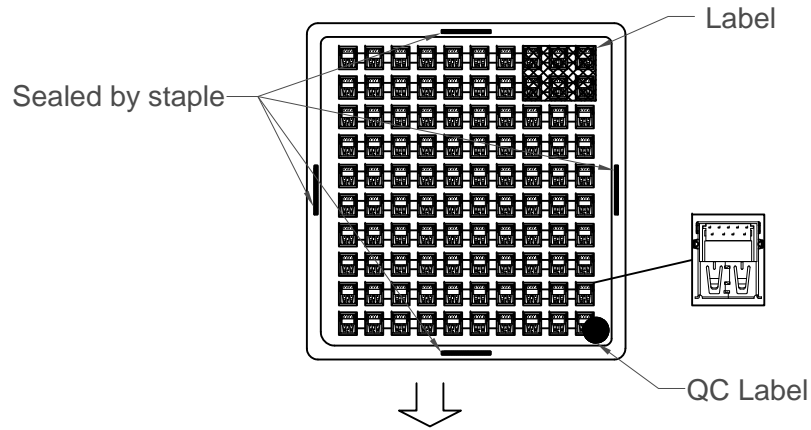
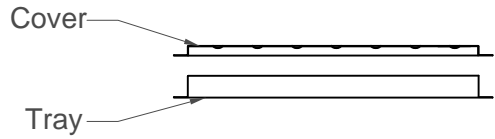
Part Number		Product Description		
USB1135		USB 3.0 Receptacle, Type A, Through Hole, Horizontal, Top Mount		
Drawing Date		6th August 2020		
By	CC	Tolerances (Except as Noted)	Units:	
Detail	Drawing Release	Length	Metric (mm)	
Revision	A1	X.X ± 0.50		
Date	21/08/20	X.XX ± 0.30		
		X.XXX ± 0.20	± 2°	



This drawing is confidential and copyright of Global Connector Technology, Ltd (GCT). This drawing must not be copied or disclosed without written consent. E & OE

Not to Scale	Drawn By CC	Sheet No. 1/2
--------------	-------------	---------------

H  
G  
F  
E  
D  
C  
B  
A



PCS/Tray	Trays/Carton	PCS/Carton
100	30	3000

Part Number USB1135		Product Description USB 3.0 Receptacle, Type A, Through Hole, Horizontal, Top Mount	
Drawing Date 6th August 2020			
By CC	Detail Drawing Release	Tolerances (Except as Noted) Length X.X ± 0.50 X.XX ± 0.30 X.XXX ± 0.20	Units: Metric (mm)
Revision A1	Date 21/08/20	± 2°	3rd Angle Projection



This drawing is confidential and copyright of Global Connector Technology, Ltd (GCT). This drawing must not be copied or disclosed without written consent. E & OE



Not to Scale	Drawn By CC	Sheet No. 2/2
--------------	----------------	------------------

1 2 3 4 5 6 7 8

## X-ON Electronics

Largest Supplier of Electrical and Electronic Components

*Click to view similar products for [USB Connectors](#) category:*

*Click to view products by [GCT](#) manufacturer:*

Other Similar products are found below :

[950](#) [A-USB A-LP-SMT-C](#) [A-USB B-TOP-C](#) [MUSBA511N5](#) [MUSBD11135](#) [217450-1](#) [KMBVX-TH-5S-B30](#) [896-30-004-00-000000](#)  
[KUSBX-AS2N-W](#) [KUSBX-SMT2AP1S-W30](#) [935](#) [957](#) [30-498-6](#) [SK-60A-2](#) [1734082-1](#) [CIR08AF-20-27S-F80-20](#) [CIR08F-20](#) [30-1574](#) [30-470](#) [30-489](#) [30-541](#) [30-572-3](#) [A-USB A-2P-C](#) [MIKROE-1451](#) [USBFTV2PEM2G](#) [USBFTVC6ZN](#) [USBFTVSCCG](#) [4689-1](#) [1-1734084-2](#)  
[CIR08F-20-27P-F80-VO](#) [USBF21ZNSCC](#) [USBBFTV6ZC](#) [MUSBB151341](#) [10135326-001LF](#) [M9177/3-1](#) [USB-A-S-F-B-VT](#) [925](#) [4198](#) [690-024-633-031](#) [UB-20PMFP-LC7001](#) [USBFTVC6MRG](#) [UA-20BMFA-SL8001](#) [17-200011](#) [USBFTVC7ZC](#) [UB-20AFMM-LL7A01](#)  
[USBFTVC2MN](#) [CAP-WCCMLPB1](#) [CAP-WCCMLPC1](#) [2041386-1](#) [2274475-3](#)