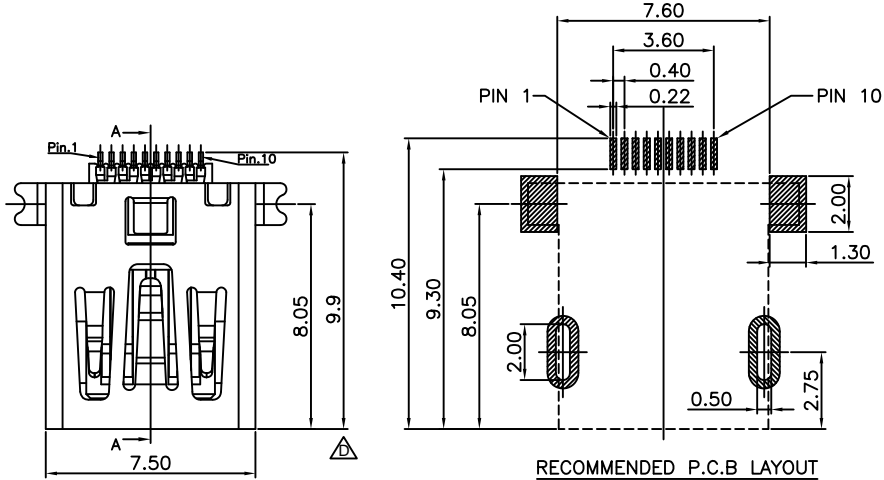
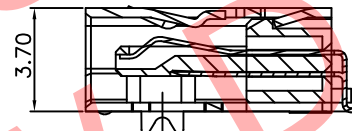
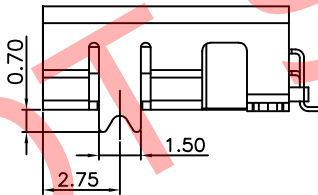
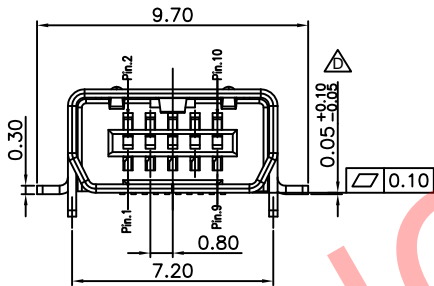
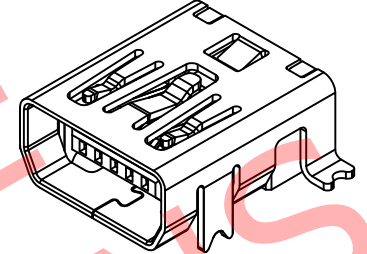


Global Connector Technology Ltd. - USB2070: Mini USB Receptacle, Type A/B, 10 Pin, SMT, Horizontal



RECOMMENDED P.C.B LAYOUT

GENERAL TOLERANCE:  $\pm 0.05$   
 AS VIEWED FROM COMPONENT SIDE



SECTION A-A

Specifications 规格:

Materials 物料规格:

- Plastic Housing 塑胶外壳: LCP UL94V-0 Black  $\triangle$   
 LCP UL94V-0, 黑色
- Contact Terminal 接触端子: Phosphor Bronze 磷青铜
- Metallic Shell 金属外壳: Brass 黄铜  $\triangle$

Plating 电镀规格:

- Contact Terminal plating 接触端子部分电镀:  
 Underplating 底层电镀: Nickel all over 全部镀镍  
 Contact Area 接触部分:  $15\mu$ " Gold 镀金 $15\mu$ "  
 Solder Tails 焊接末端: Tin  $50\mu$ " 镀锡 $50\mu$ "  $\triangle$
- Metallic Shell plating 金属外壳电镀:  
 Underplating 底层电镀:  $50\mu$ " Min. Nickel all over 全部镀镍最少 $50\mu$ "  
 Finish 表面处理: Matte Tin  $50\mu$ " all over 整体镀雾锡 $50\mu$ "  $\triangle$

Electrical 电气规格:

- Voltage Rating 电压额定值: 30VDC
- Current Rating 电流额定值: 1A
- Operating Temperature 工作温度:  $-50^{\circ}\text{C}$  to  $+85^{\circ}\text{C}$   $\triangle$   $\triangle$
- Contact Resistance 接触电阻值: 50mW Max.
- Insulation Resistance 绝缘电阻值: 100MW Min (Apply施加100VDC)
- Dielectric Withstanding Voltage 耐压: No Discharge or Flash没有放电或火花 (100VAC is applied for 1 min. 施加100VAC共一分钟)

Mechanical 机械性规格:

- Mating Force 插入力: 35N (3.57KgF) Max.
- Unmating Force 拔出力: 7N (0.71KgF) Min. - 1st mating cycle  $\triangle$
- Unmating Force 拔出力: 3N (0.31KgF) Min. - 5001st mating cycle  $\triangle$
- Durability 耐久性: 5,000 Cycles 5,000次插拔  $\triangle$

Ordering Grid

USB2070 - 10 - RCHM - 15 - STB - 00 - 00 - A REQUEST SAMPLES AND QUOTATION

No. of Contacts  
10

Contact Plating  
15 =  $15\mu$ " Gold

Packing Options  
A = Tape & Reel (With Mylar)  
(Quantity per Reel: 800pcs)

00 = Without Post  
Offset  
00 = No Offset

Tolerances (Except as noted)	Part Number:- USB2070	Date:- 13 MAR 08
Dimensions in mm X.X $\pm$ 0.35 X.X° $\pm$ 1° X.XX $\pm$ 0.25 X.X° $\pm$ 0.5° X.XXX $\pm$ 0.150 X.XX° $\pm$ 0.25°	Description:- MINI USB RECEPTACLE, TYPE A/B, 10 PIN, SMT, HORIZONTAL	
	THIS DRAWING IS CONFIDENTIAL AND MUST NOT BE COPIED OR DISCLOSED WITHOUT WRITTEN CONSENT	
Third Angle Projection	Scale NTS	Revision E

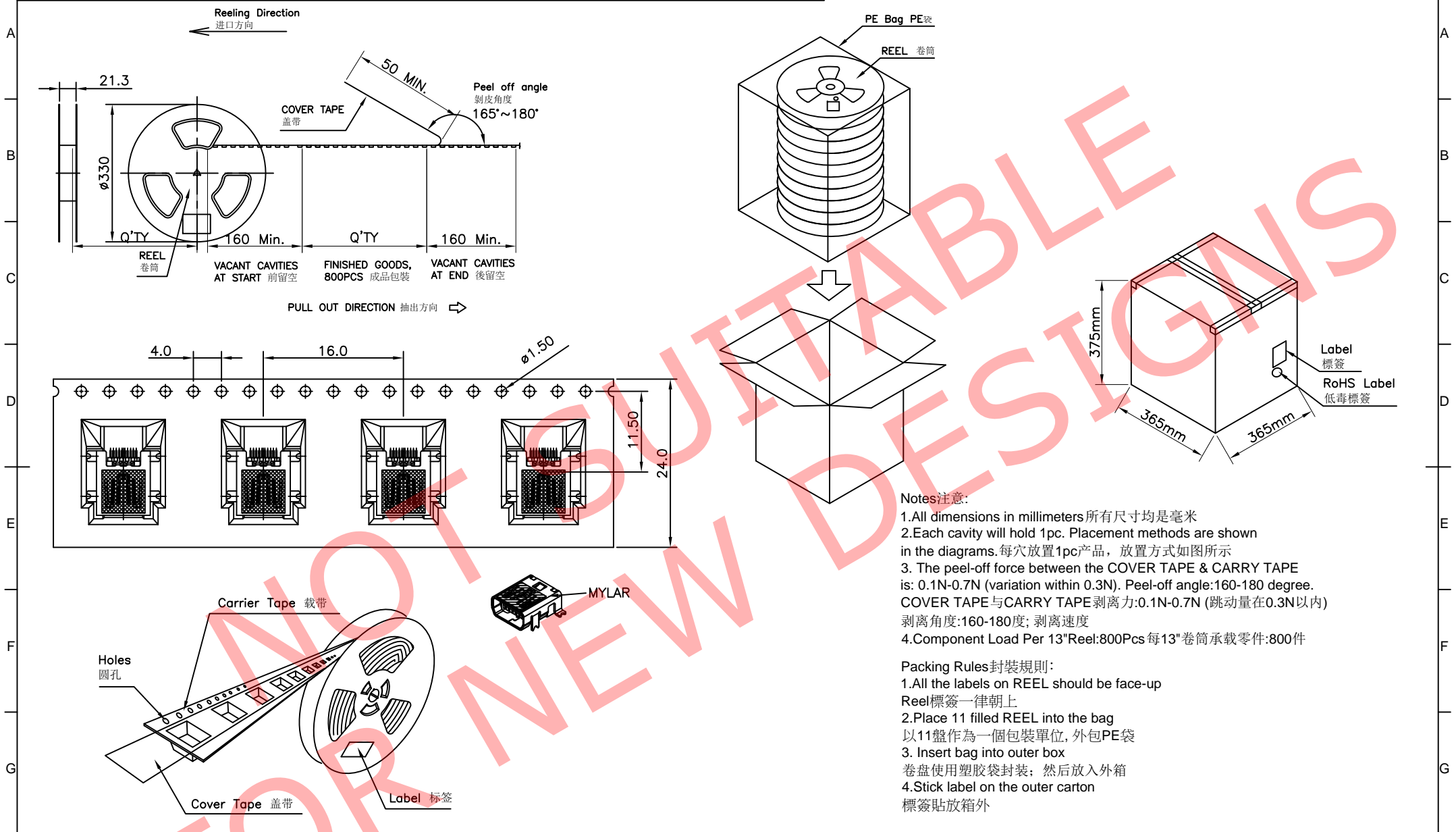
**GCT**

www.globalconnectortechology.com

By	LYH	ASE	ASE	SA	ASE
DETAIL	DRAWING RELEASE	ECN080331A	ECN080922A	PCN20101004-2	PCNUSB2070-001
REV	A	B	C	D	E
DATE	13/03/08	31/03/08	22/09/08	04/11/10	07/12/11

Scale NTS	Revision E	Material See Note	Drawn by LYH	Sheet No. E & OE 1/2
--------------	---------------	----------------------	-----------------	----------------------------

Global Connector Technology Ltd. - USB2070: Mini USB Receptacle, Type A/B, 10 Pin, SMT, Horizontal



Notes 注意:

1. All dimensions in millimeters 所有尺寸均是毫米
2. Each cavity will hold 1pc. Placement methods are shown in the diagrams. 每穴放置1pc产品, 放置方式如图所示
3. The peel-off force between the COVER TAPE & CARRY TAPE is: 0.1N-0.7N (variation within 0.3N). Peel-off angle: 160-180 degree. COVER TAPE 与 CARRY TAPE 剥离力: 0.1N-0.7N (跳动量在0.3N以内) 剥离角度: 160-180度; 剥离速度
4. Component Load Per 13" Reel: 800Pcs 每13"卷筒承载零件: 800件

Packing Rules 封装规则:

1. All the labels on REEL should be face-up  
Reel 标签一律朝上
2. Place 11 filled REEL into the bag  
以11盘作为一个包装单位, 外包PE袋
3. Insert bag into outer box  
卷盘使用塑胶袋封装; 然后放入外箱
4. Stick label on the outer carton  
标签贴放箱外

By	LYH	ASE	ASE	SA	ASE
DETAIL	DRAWING RELEASE	ECN080331A	ECN080922A	PCN20101004-2	PCNUSB2070-001
REV DATE	A 13/03/08	B 31/03/08	C 22/09/08	D 04/11/10	E 07/12/11



Tolerances (Except as noted)	Part Number:- USB2070	Date:- 13 MAR 08
Dimensions in mm	Description:- MINI USB RECEPTACLE, TYPE A/B, 10 PIN, SMT, HORIZONTAL	
Third Angle Projection	© THIS DRAWING IS CONFIDENTIAL AND MUST NOT BE COPIED OR DISCLOSED WITHOUT WRITTEN CONSENT	

<b>GCT</b>					www.globalconnectortech.com
Scale NTS	Revision E	Material See Note	Drawn by LYH	E & OE	Sheet No. 2/2

## X-ON Electronics

Largest Supplier of Electrical and Electronic Components

*Click to view similar products for [gct manufacturer](#):*

Other Similar products are found below :

[BG302-03-A-L-G](#) [BD021-09A-A1-0350-0200-0550-LD](#) [BG095-10-A-N-D](#) [BG165-04-A-A-N-H](#) [BC070-06-A-1-L-D](#) [BG120-10-A-0-N-D](#)  
[SIM7050-8-0-00-A](#) [BF020-03-A-B-0600-0300-N-G](#) [DCJ250-15-A-K1-C](#) [BG030-06-A-0450-0300-N-G](#) [DCJ065-05-A-K1-A](#) [USB4085-GF-A](#)  
[BC085-08-A-0390-L-D](#) [BC034-10-A-V-0150-L-D](#) [BG300-06-A-L-A](#) [BG301-02-A-0540-L-B](#) [BG095-07-A-N-D](#) [BG040-06-A-0450-0300-N-](#)  
[G](#) [BG030-04-A-0450-0300-N-G](#) [USB3105-30-A](#) [BD020-10-A-J-0350-0300-L-G](#) [BG303-04-A-0300-L-G](#) [DCJ235-05-A-K1-K](#) [BG301-05-A-](#)  
[0540-L-B](#) [BC050-06A-K0-0200-0160-0480-LG](#) [MEM2075-00-140-01-A](#) [USB4055-30-A](#) [BG055-04A-1-0450-0530-0350-L-G](#) [BC050-10A-](#)  
[K0-0200-0160-0480-LD](#) [BC070-20-A-1-L-D](#) [MEM2067-02-180-00-A](#) [BG120-04-A-0-N-D](#) [BC085-06-A-0390-L-D](#) [BC050-08A-K0-0200-](#)  
[0160-0480-LG](#) [BC050-14A-K0-0200-0160-0480-LD](#) [DCJ250-10-A-K1-K](#) [BG302-05-A-L-G](#) [USB4065-30-A](#) [USB1035-GF-P-0-B-B](#) [BF085-](#)  
[02-A-0240-N-G](#) [BG050-10A-0-0450-0737-0350-L-D](#) [BG302-04-A-L-G](#) [BG055-03A-1-0650-0530-0350-L-G](#) [BC075-08-A-L-D](#) [BC032-06-A-](#)  
[2-0200-0200-L-D](#) [BF020-02-A-B-0400-0300-N-G](#) [BD020-03-A-J-0350-0300-L-G](#) [BC050-12A-K0-0200-0160-0480-LD](#) [USB3160-30-0170-1-](#)  
[C](#) [BC020-06-A-0200-0300-L-D](#)