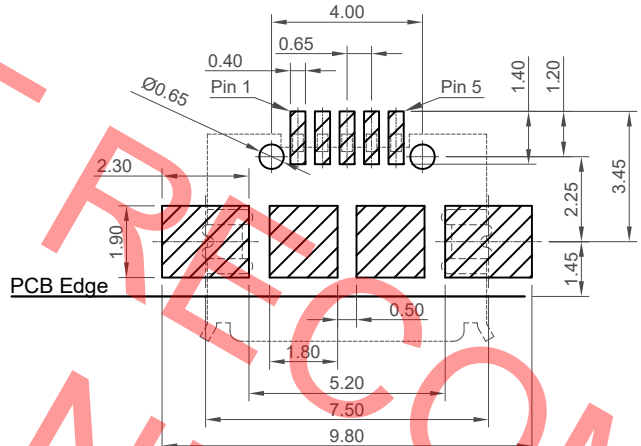
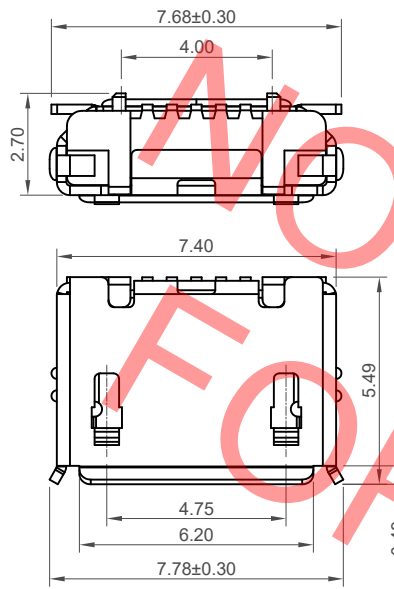
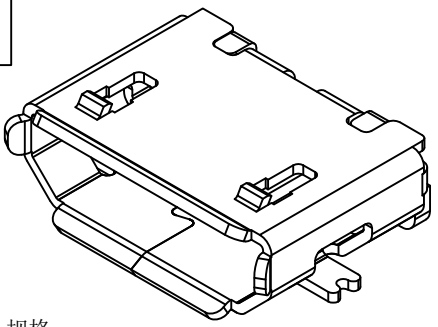
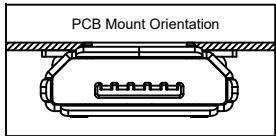


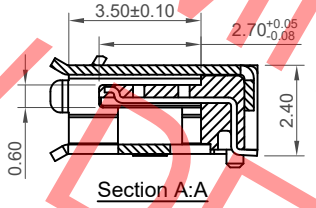
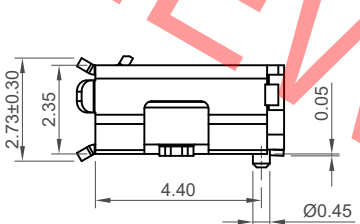
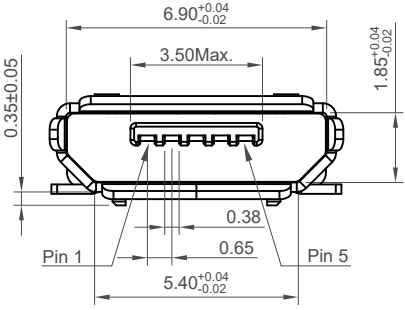
Designed to comply with physical, electrical and environmental requirements of Micro USB Standard (USB2.0).



Recommended PCB Layout

As viewed from component side
General Tolerance: ±0.05

☒ Solder Area ☐ Component Outline



Specifications 规格

Material 物料

Plastic Housing 塑胶外壳: LCP, UL94V-0, Black
Contact Terminal 接触端子: Copper Alloy
Metallic Shell 金属外壳: Stainless Steel
SUS 304, T = 0.25mm

Plating 电镀

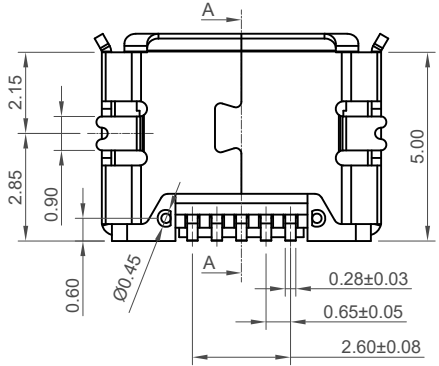
Underplating 底层电镀: 50µ" Nickel
Finish 表面处理: Contact Area 接触面积: 30µ" Gold plating
Solder Tails 焊接末端: Gold Flash
Metallic Shell 金属外壳: Matte Tin

Electrical 电气

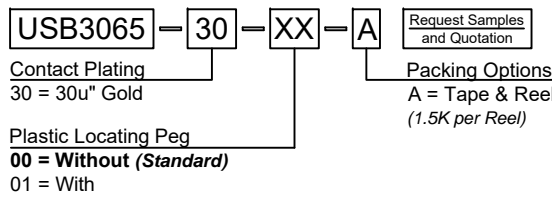
Voltage Rating 电压额定值: 30 V AC
Current Rating 电流额定值: Signal (Pins 2,3,4): 1.0A.
Power (Pins 1,5): 1.8A.
Operating Temperature 工作温度: -30°C to +85°C
Contact Resistance 接触电阻值: 30mΩ max.
Insulating Resistance 绝缘电阻值: 1000MΩ min.
Dielectric Withstand Voltage 耐电压: 500V AC/Minute

Mechanical & Environmental 机械 & 环境

Mating Force 插入力: 35N max.
Unmating Force 拔出力: 10N min.
Durability 耐久性: 10,000 Cycles



Ordering Grid



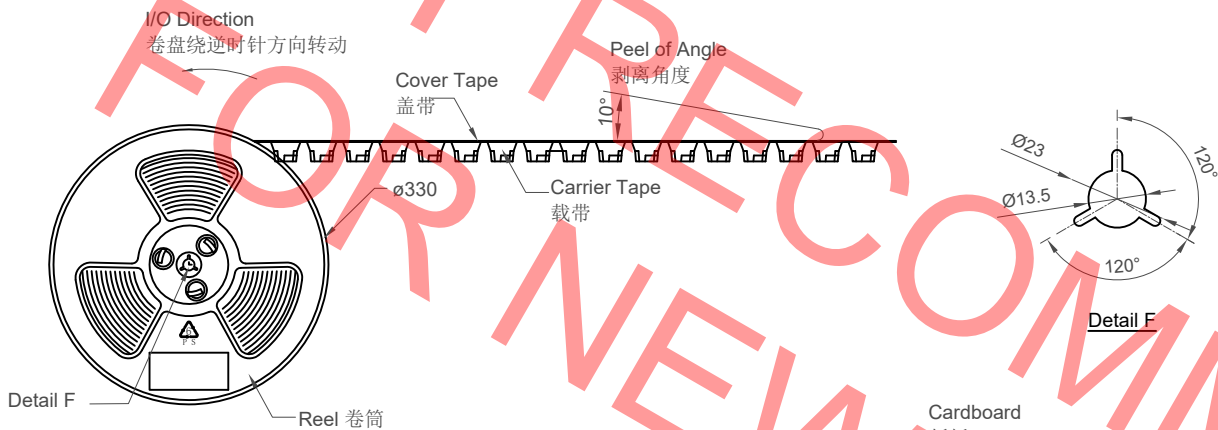
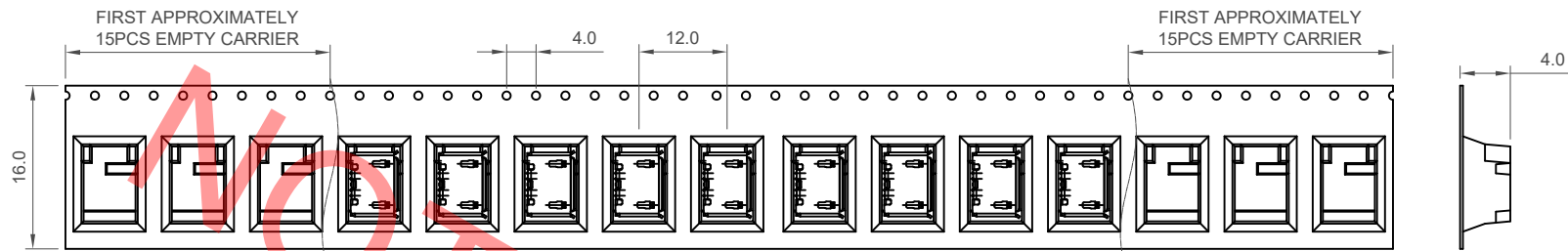
Part Number USB3065		Product Description Micro USB Receptacle, Type B, 5 Pin, SMT, Horizontal, Bottom Mount (Standard), Optional Plastic Locating Peg	
Drawing Date 4th April 2011			
By CC	USB3065	Tolerances (Except as Noted)	
Detail EPCN		Length X.X ± 0.2	Angle X.X° ± 2°
Revision E2		X.XX ± 0.10	X.XX° ± 1°
Date 13/12/16		X.XXX ± 0.05	X.XXX° ± 0.5°
		Units: Metric (mm)	3rd Angle Projection



This drawing is confidential and copyright of Global Connector Technology, Ltd (GCT).
This drawing must not be copied or disclosed without written consent. E & OE

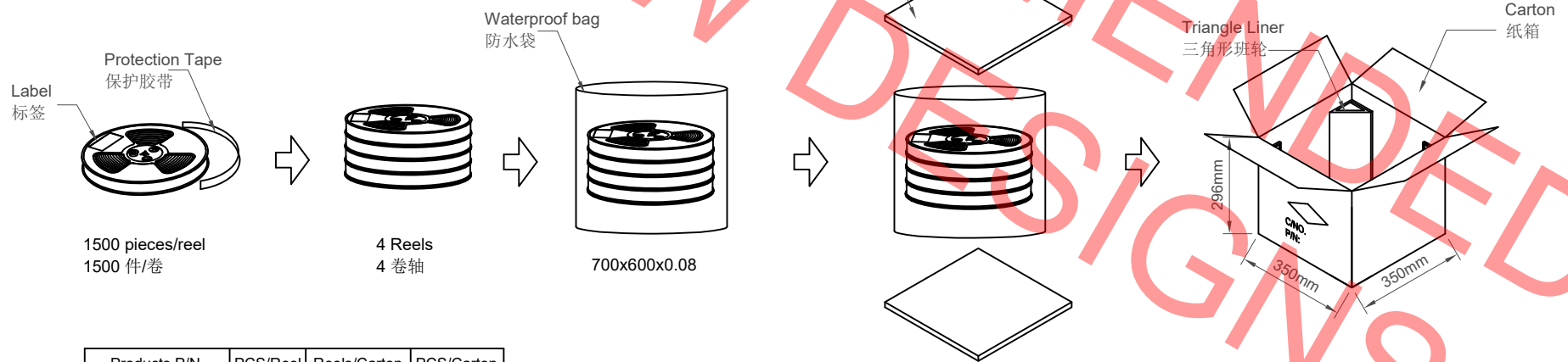


www.gct.co
Not to Scale
Drawn By ASE
Sheet No. 1/2



Notes注意:

1. Peeling off force of top tape: 0.1-1.3N
2. Part Conforms to EIA-481-C Standards 产品符合EIA-481-C标准
3. All dimensions in millimeters 所有尺寸均是毫米
4. 10 sprocket hole pitch cumulative tolerance±0.2mm



Products P/N	PCS/Reel	Reels/Carton	PCS/Carton
USB3065-30-XX-A	1500	4	6000

Part Number		Product Description	
USB3065		Micro USB Receptacle, Type B, 5 Pin, SMT, Horizontal, Bottom Mount (Standard), Optional Plastic Locating Peg	
Drawing Date		4th April 2011	
By	CC	Tolerances (Except as Noted)	Units:
Detail	USB3065 E PCN	Length	Metric (mm)
Revision	E2	-	3rd Angle Projection
Date	13/12/16	-	



This drawing is confidential and copyright of Global Connector Technology, Ltd (GCT). This drawing must not be copied or disclosed without written consent. E & OE



www.gct.co

Not to Scale	Drawn By ASE	Sheet No. 2/2
--------------	--------------	---------------

X-ON Electronics

Largest Supplier of Electrical and Electronic Components

Click to view similar products for [USB Connectors](#) category:

Click to view products by [GCT](#) manufacturer:

Other Similar products are found below :

[65-647-8-BK-BU](#) [950](#) [952](#) [E8144-B01021-L](#) [A-USB B-TOP-C](#) [MUSBA511N5](#) [MUSBD11135](#) [217450-1](#) [KMBVX-TH-5S-B30](#) [896-30-004-00-000000](#) [KUSBVX-BS1N-W30](#) [KUSBX-AP-KIT-SCBLK](#) [KUSBX-AS2N-W](#) [KUSBX-SMT2AP1S-W](#) [KUSBX-SMT2AP1S-W30](#) [935](#) [957](#) [30-498-6](#) [SK-60A-2](#) [17-210051](#) [1734082-1](#) [30-1574](#) [30-470](#) [30-489](#) [30-541](#) [30-572-3](#) [A-USB A-2P-C](#) [MIKROE-1451](#) [USBFTV2PEM2G](#) [USBFTVC6ZN](#) [KUSBX-AS2N-W30](#) [KUSBX-SLAS1N-W](#) [KUSBX-SMT-AS1N-W30](#) [4689-1](#) [1-1734084-2](#) [E8110-001-01](#) [33UBARS1-04SW11](#) [33UBAR-04SW11](#) [USBF21ZNSCC](#) [USBBFTV6ZC](#) [10135326-001LF](#) [M9177/3-1](#) [USB-A-S-F-B-VT](#) [925](#) [4198](#) [690-024-633-031](#) [KUSBEX-BSFS1N-W](#) [USBFTVC6MRG](#) [UA-20BMFA-SL8001](#) [17-250101](#)