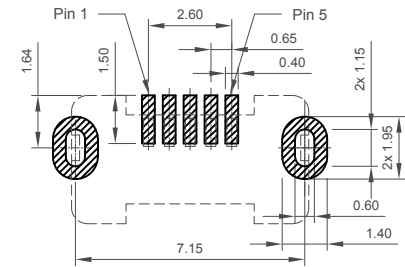
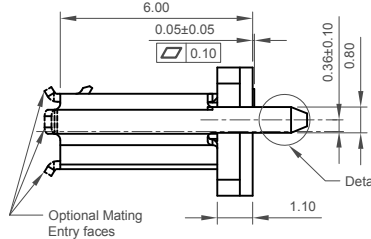
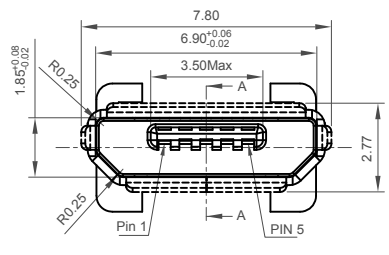
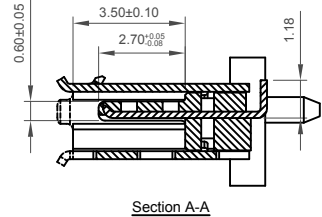
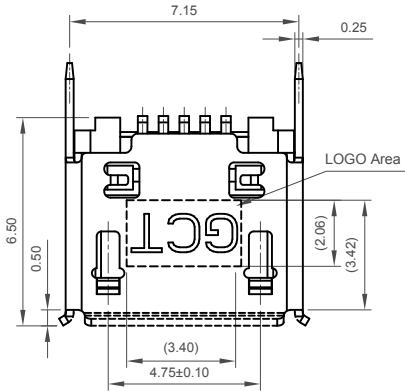
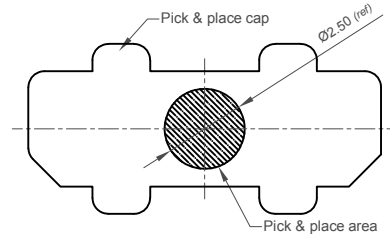
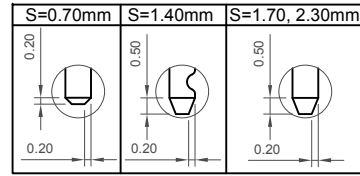
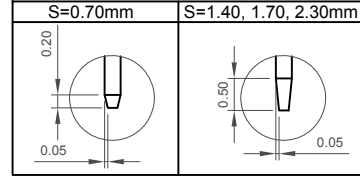
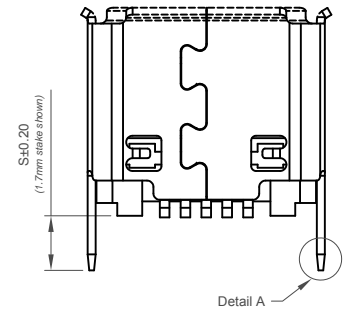


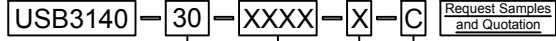
**PCB Mount & Cap Information**



**Recommended PCB Layout**  
As viewed from component side General tolerance: ±0.05  
☒ Solder Area ☐ Component Outline



**Ordering Grid**



**Contact Plating**  
30 = 30µm Gold

**Shell Stake Length "S"**

- 0070 = 0.70mm
- 0140 = 1.40mm
- 0170 = 1.70mm
- 0230 = 2.30mm

Designed to comply with physical, electrical and environmental requirements of Micro USB Standard (USB2.0)

**Packing Options**  
C = Tape & Reel with Cap (500 per reel)

**Mating Entry Face**  
1 = With Mating Entry Face (Standard)  
0 = Without Mating Entry Face

**Specifications**

**Material**

- Plastic Housing: LCP, UL94V-0, Black
- Contact Terminal: Copper Alloy
- Metallic Shell: Stainless Steel T=0.25mm.

**Plating**

- Contact Terminal: Contact Area: 30µm Gold, Solder Tails: Gold Flash, Underplating: 50µm Nickel
- Metallic Shell: Matte Tin over 50µm Nickel

**Electrical**

- Voltage Rating: 30 V AC
- Current Rating: Signal (Pins 2,3,4): 1.0 A, Power (Pins 1,5): 1.8A.
- Operating Temperature: -25°C to +85°C.
- Contact Resistance: 30mΩ max.
- Insulating Resistance: 1000MΩ min.
- Dielectric Withstand Voltage: 500V AC/minute

**Mechanical & Environmental**

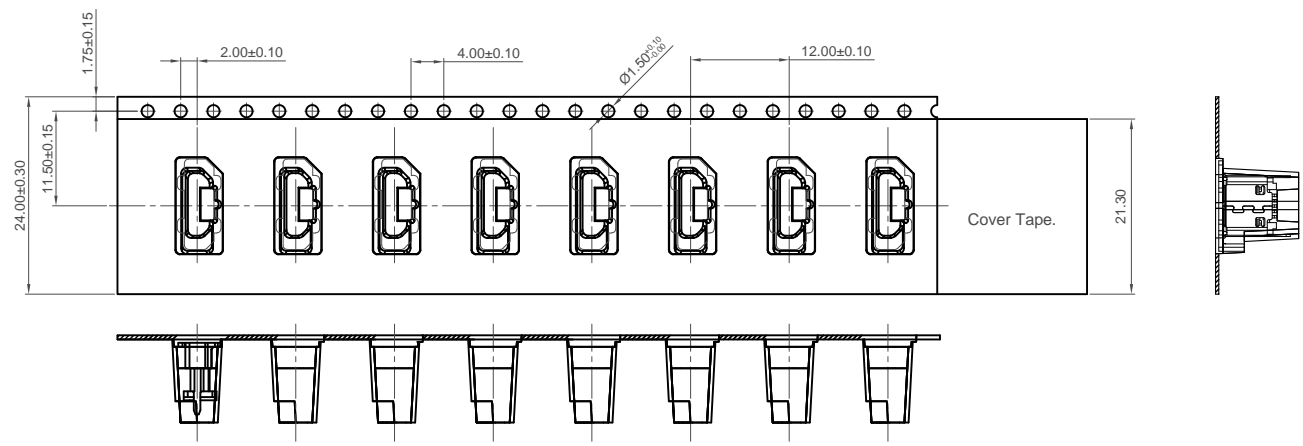
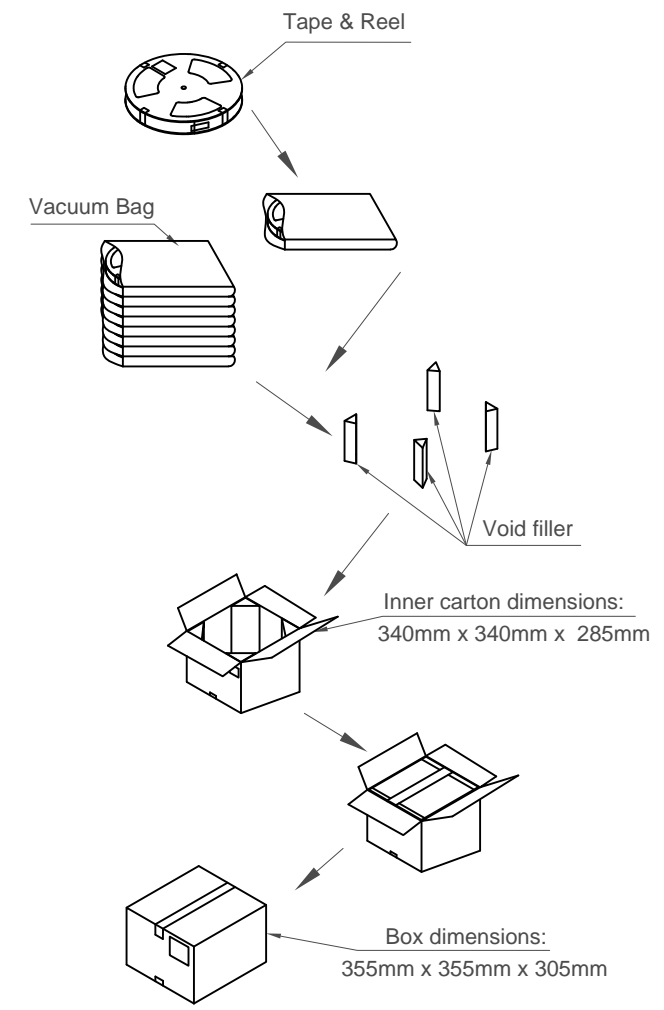
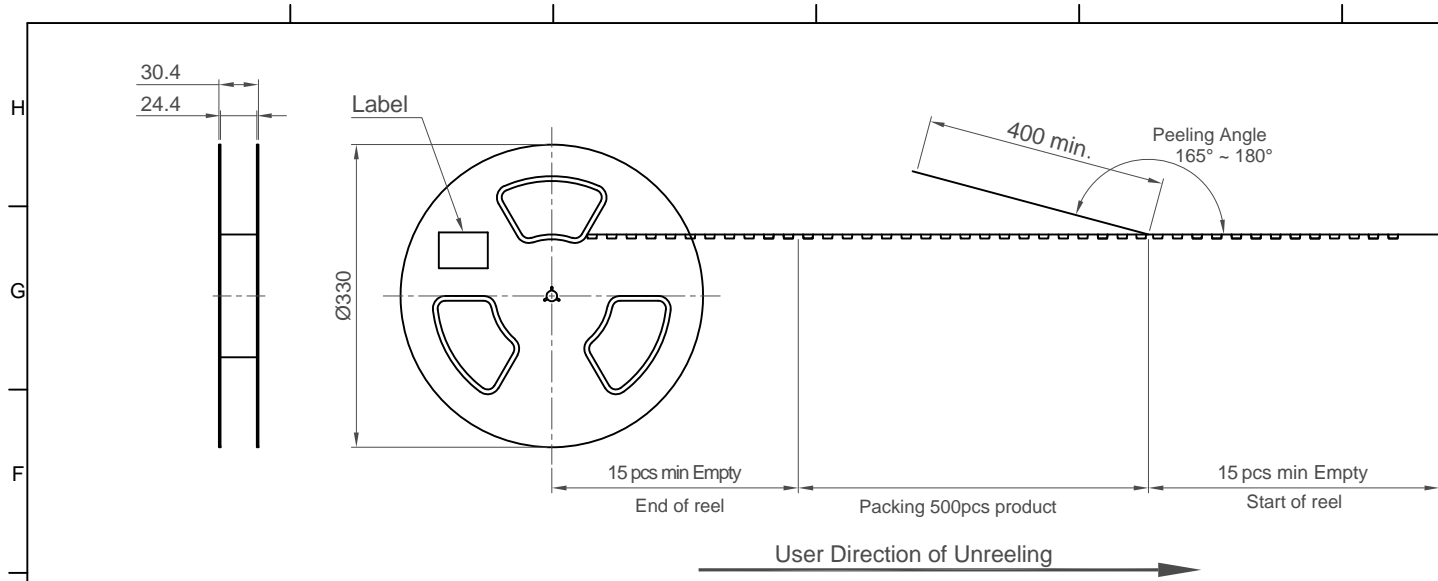
- Mating Force: 35N max.
- Unmating Force: Initial 10N min, Final 8N min after durability test
- Durability: 10,000 Cycles

Part Number		Product Description	
USB3140		Micro USB Receptacle, Type B, Surface Mount, Vertical, with Through-Hole Shell Stakes	
Drawing Date		2nd April 2013	
By	CC	Tolerances (Except as Noted)	Units:
Detail	USB3140 E PCN	Length: X ±0.50	Metric (mm)
Revision	E3	Angle: X.X ± 0.30	RoHS COMPLIANT 2011/65/EU
Date	04/05/21	X.XX ± 0.20	Deca-SIDE
		X.XXX ± 0.10	3rd Angle Projection



This drawing is confidential and copyright of Global Connector Technology, Ltd (GCT). This drawing must not be copied or disclosed without written consent. E & OE

Not to Scale	Drawn By AJO	Sheet No. 1/2
--------------	--------------	---------------



Notes:  
 Peeling off force of top tape: 0.1-1.3N (Peeling direction as shown)

Materials:  
 Carrier Tape: Polystyrene (PS)  
 Top Tape: PE  
 Reel Tape: Polystyrene (PS)

Pcs / Reel	Reels / Carton	Total Quantity
500	9	4500 pcs

Part Number USB3140		Product Description Micro USB Receptacle, Type B, Surface Mount, Vertical, with Through-Hole Shell Stakes		 	 This drawing is confidential and copyright of Global Connector Technology, Ltd (GCT). This drawing must not be copied or disclosed without written consent. E & OE	Not to Scale Drawn By AJO Sheet No. 2/2
Drawing Date 2nd April 2013		Units: Metric (mm)				
By CC	Tolerances (Except as Noted) Length X.±0.20 X.X ± 0.15 X.XX ± 0.10 X.XXX ± 0.05	Angle X.X° ± 2°	 3rd Angle Projection			
Detail USB3140 E PCN	Revision E3	Date 04/05/21				



## X-ON Electronics

Largest Supplier of Electrical and Electronic Components

*Click to view similar products for [USB Connectors](#) category:*

*Click to view products by [GCT](#) manufacturer:*

Other Similar products are found below :

[65-647-8-BK-BU](#) [950](#) [952](#) [E8144-B01021-L](#) [A-USB B-TOP-C](#) [MUSBA511N5](#) [MUSBD11135](#) [217450-1](#) [KMBVX-TH-5S-B30](#) [896-30-004-00-000000](#) [KUSBVX-BS1N-W30](#) [KUSBX-AP-KIT-SCBLK](#) [KUSBX-AS2N-W](#) [KUSBX-SMT2AP1S-W](#) [KUSBX-SMT2AP1S-W30](#) [935](#) [957](#) [30-498-6](#) [17-210051](#) [1734082-1](#) [30-1574](#) [30-470](#) [30-489](#) [30-541](#) [30-572-3](#) [A-USB A-2P-C](#) [MIKROE-1451](#) [USBFTV2PEM2G](#) [USBFTVC6ZN](#) [KUSBX-AS2N-W30](#) [KUSBX-SLAS1N-W](#) [KUSBX-SMT-AS1N-W30](#) [4689-1](#) [1-1734084-2](#) [E8110-001-01](#) [33UBARS1-04SW11](#) [33UBAR-04SW11](#) [USBF21ZNSCC](#) [USBBFTV6ZC](#) [10135326-001LF](#) [USB-A-S-F-B-VT](#) [925](#) [4198](#) [690-024-633-031](#) [KUSBEX-BSFS1N-W](#) [USBFTVC6MRG](#) [UA-20BMFA-SL8001](#) [17-250101](#) [USBFTVC7ZC](#) [USBFTV75NF459](#)