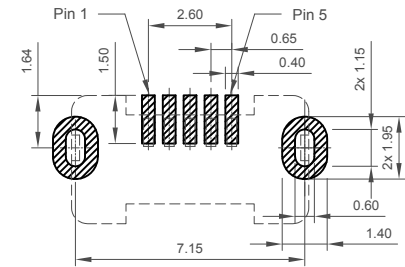
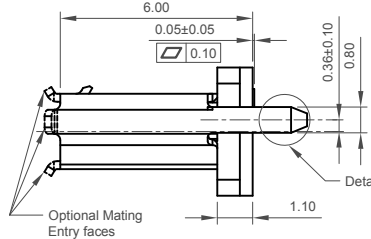
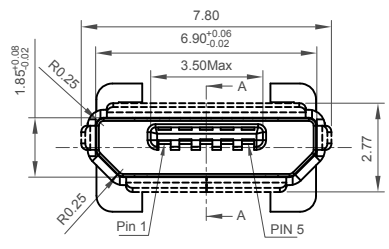
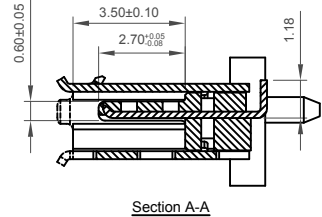
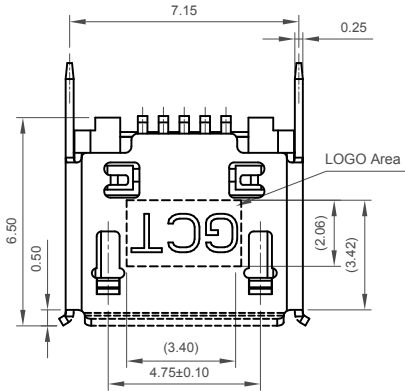
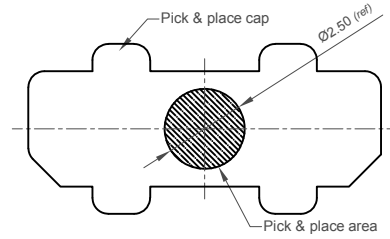
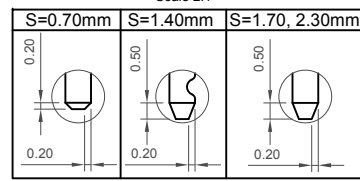
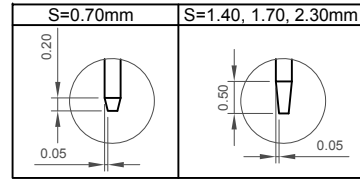
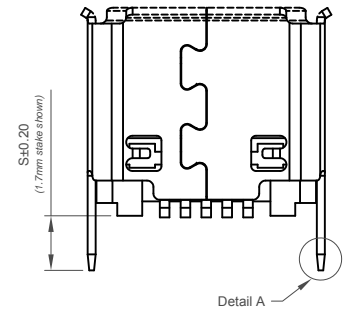


PCB Mount & Cap Information



Recommended PCB Layout
As viewed from component side General tolerance: ±0.05
☒ Solder Area ☐ Component Outline



Ordering Grid

USB3140 - 30 - XXXX - X - C Request Samples and Quotation

Contact Plating
30 = 30µ" Gold

Packing Options
C = Tape & Reel with Cap
(500 per reel)

Shell Stake Length "S"

0070 = 0.70mm
0140 = 1.40mm
0170 = 1.70mm
0230 = 2.30mm

Mating Entry Face

1 = With Mating Entry Face (Standard)
0 = Without Mating Entry Face

Designed to comply with physical, electrical and environmental requirements of Micro USB Standard (USB2.0)

Specifications

Material

Plastic Housing: LCP, UL94V-0, Black
Contact Terminal: Copper Alloy
Metallic Shell: Stainless Steel T=0.25mm.

Plating

Contact Terminal:
Contact Area: 30µ" Gold
Solder Tails: Gold Flash
Underplating: 50µ" Nickel
Metallic Shell: Matte Tin over 50µ" Nickel

Electrical

Voltage Rating: 30 V AC
Current Rating: Signal (Pins 2,3,4): 1.0 A.
Power (Pins 1,5): 1.8A.
Operating Temperature: -25°C to +85°C.
Contact Resistance: 30mΩ max.
Insulating Resistance: 1000MΩ min.
Dielectric Withstand Voltage: 500V AC/minute

Mechanical & Environmental

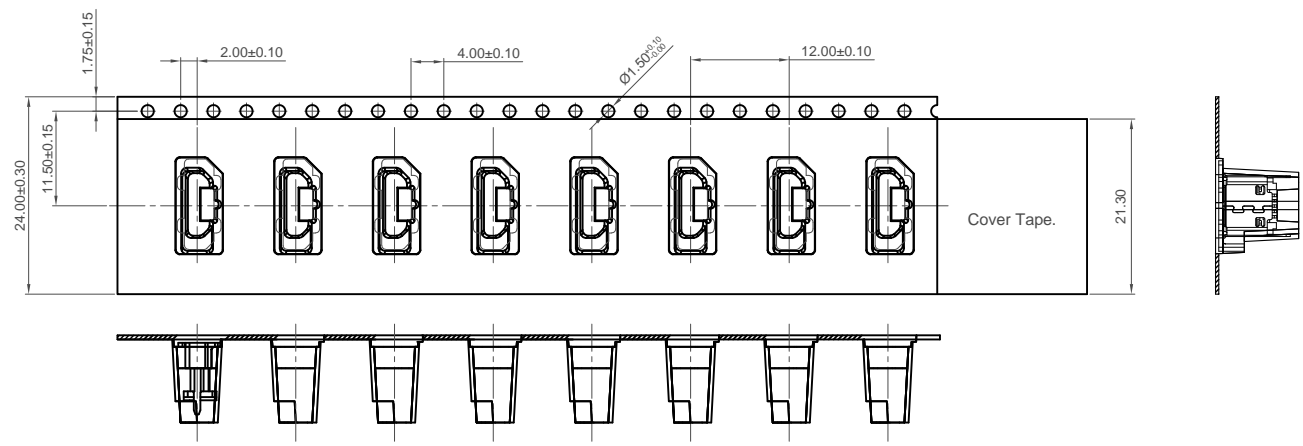
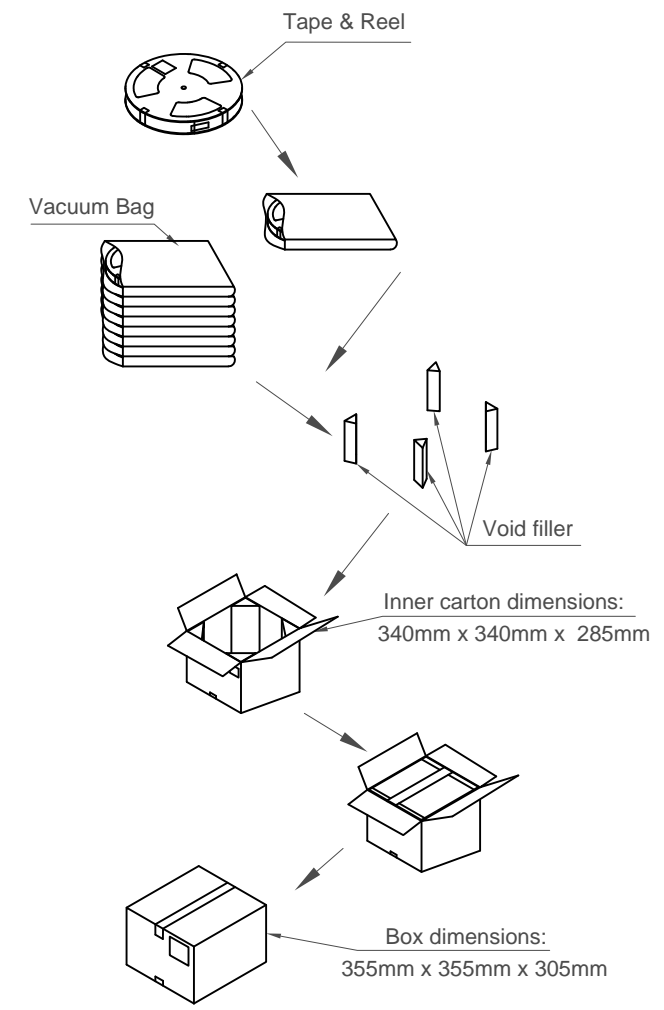
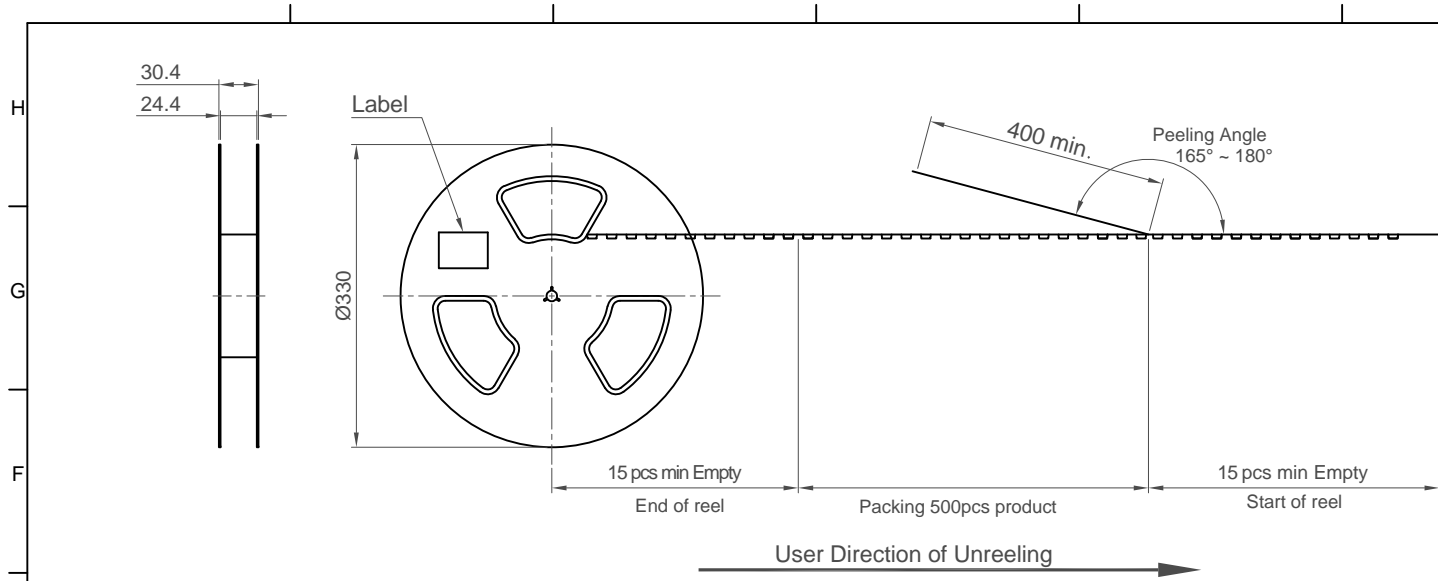
Mating Force: 35N max.
Unmating Force: Initial 10N min
Final 8N min after durability test
Durability: 10,000 Cycles

| | | | | |
|--------------|---------------|---|-------------|--|
| Part Number | | Product Description | | |
| USB3140 | | Micro USB Receptacle, Type B, Surface Mount, Vertical, with Through-Hole Shell Stakes | | |
| Drawing Date | | 2nd April 2013 | | |
| By | CC | Tolerances (Except as Noted) | Units: | |
| Detail | USB3140 E PCN | Length X ±0.50 | Metric (mm) | |
| Revision | E3 | Angle X.X ± 0.30 | | |
| Date | 04/05/21 | X.XX ± 0.20 | | |
| | | X.XXX ± 0.10 | | |

This drawing is confidential and copyright of Global Connector Technology, Ltd (GCT). This drawing must not be copied or disclosed without written consent. E & OE



| | | |
|--------------|--------------|---------------|
| Not to Scale | Drawn By AJO | Sheet No. 1/2 |
|--------------|--------------|---------------|



Notes:
 Peeling off force of top tape: 0.1-1.3N (Peeling direction as shown)

Materials:
 Carrier Tape: Polystyrene (PS)
 Top Tape: PE
 Reel Tape: Polystyrene (PS)

| Pcs / Reel | Reels / Carton | Total Quantity |
|------------|----------------|----------------|
| 500 | 9 | 4500 pcs |

| | | | | | | |
|--------------------------------|--|---|--|--|--|---|
| Part Number USB3140 | | Product Description Micro USB Receptacle, Type B, Surface Mount, Vertical, with Through-Hole Shell Stakes | | | This drawing is confidential and copyright of Global Connector Technology, Ltd (GCT). This drawing must not be copied or disclosed without written consent. E & OE | www.gct.co |
| Drawing Date 2nd April 2013 | | Units: Metric (mm) | | | | |
| By CC | Tolerances (Except as Noted) Length X.±0.20 X.X ± 0.15 X.XX ± 0.10 X.XXX ± 0.05 | Angle X.X° ± 2° | | | | |
| Detail USB3140 E PCN | Revision E3 | Date 04/05/21 | | | | Not to Scale Drawn By AJO Sheet No. 2/2 |

X-ON Electronics

Largest Supplier of Electrical and Electronic Components

Click to view similar products for [USB Connectors](#) category:

Click to view products by [GCT](#) manufacturer:

Other Similar products are found below :

[65-647-8-BK-BU](#) [950](#) [952](#) [E8144-B01021-L](#) [A-USB B-TOP-C](#) [MUSBA511N5](#) [MUSBD11135](#) [217450-1](#) [KMBVX-TH-5S-B30](#) [896-30-004-00-000000](#) [KUSBVX-BS1N-W30](#) [KUSBX-AP-KIT-SCBLK](#) [KUSBX-AS2N-W](#) [KUSBX-SMT2AP1S-W](#) [KUSBX-SMT2AP1S-W30](#) [935](#) [957](#) [30-498-6](#) [17-210051](#) [1734082-1](#) [30-1574](#) [30-470](#) [30-489](#) [30-541](#) [30-572-3](#) [A-USB A-2P-C](#) [MIKROE-1451](#) [USBFTV2PEM2G](#) [USBFTVC6ZN](#) [KUSBX-AS2N-W30](#) [KUSBX-SLAS1N-W](#) [KUSBX-SMT-AS1N-W30](#) [4689-1](#) [1-1734084-2](#) [E8110-001-01](#) [33UBARS1-04SW11](#) [33UBAR-04SW11](#) [USBF21ZNSCC](#) [USBBFTV6ZC](#) [10135326-001LF](#) [USB-A-S-F-B-VT](#) [925](#) [4198](#) [690-024-633-031](#) [KUSBEX-BSFS1N-W](#) [USBFTVC6MRG](#) [UA-20BMFA-SL8001](#) [17-250101](#) [USBFTVC7ZC](#) [USBFTV75NF459](#)