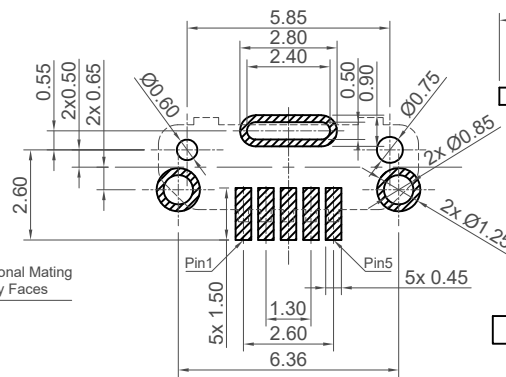
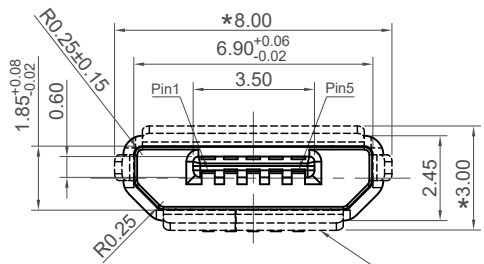
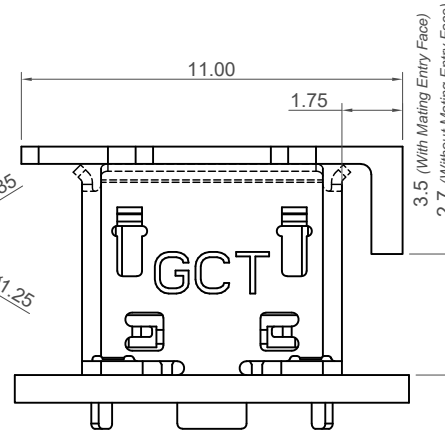


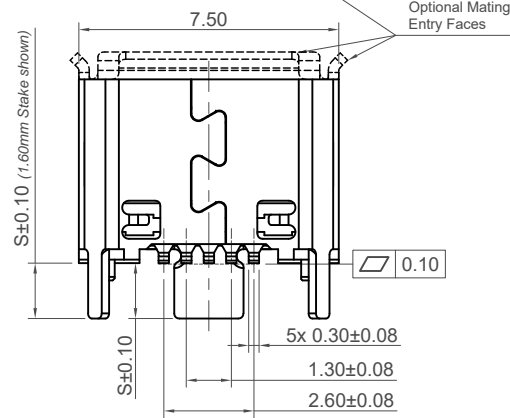
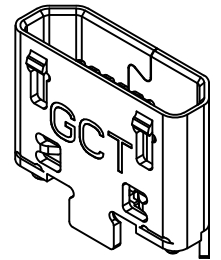
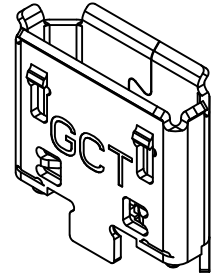
* Dimensions only applicable to parts with an optional mating entry face



Recommended PCB Layout
As viewed from component side General tolerance: ±0.05



PCB Mount & Cap Information



Optional Mating Entry Faces

Specifications

Material

Plastic Housing: High Temp Plastic , UL94V-0, Black
 Contact Terminal: Copper Alloy
 Metallic Shell: Stainless Steel.

Plating

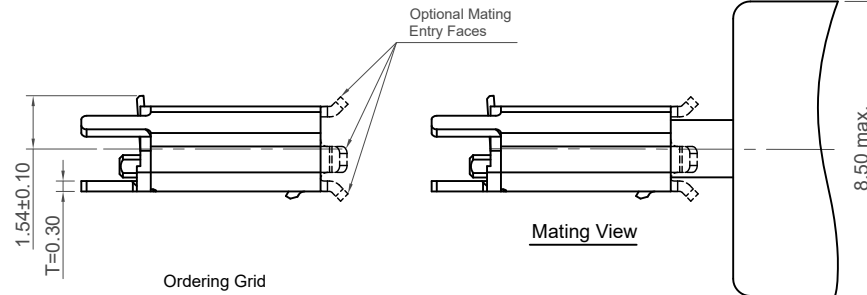
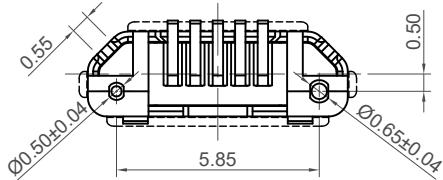
Underplating: 50µ" Nickel min
 Finish: Contact Area: 30µ" Gold
 Solder Tails: Gold Flash
 Metallic Shell: Matte Tin

Electrical

Voltage Rating : 30 V AC
 Current Rating: Signal (Pins 2,3,4): 1.0 A.
 Power (Pins 1,5): 2.8A.
 Operating Temperature: -30°C to +85°C.
 Contact Resistance: 30mΩ max.
 Insulating Resistance: 1000MΩ min.
 Dielectric Withstand Voltage: 100V AC/minute

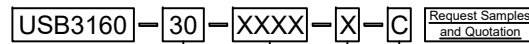
Mechanical & Environmental

Mating Force: 35N max.
 Unmating Force: 8N min.
 Durability: 10,000 Cycles



Mating View

Ordering Grid



Contact Plating
 30 = 30µ" Gold

Packing Options
 C = Tape & Reel with Cap
 (500 per reel)

Shell Stake Length "S"
 0070 = 0.60mm
 0120 = 1.10mm (recommended for 0.80mm PCB)
 0170 = 1.60mm (recommended for 1.00mm PCB)

Mating Entry Face
 1 = With Mating Entry Face
 0 = Without Mating Entry Face

Designed to comply with physical, electrical and environmental requirements of Micro USB Standard (USB2.0)

Part Number		Product Description	
USB3160		Micro USB Receptacle, Type B, Surface Mount, Vertical, With Locating Peg & Through-Hole Shell Stakes	
Drawing Date		2nd November 2016	
By	CC	Tolerances (Except as Noted)	Units:
Detail	USB3160 C PCN	Length X. ± 0.50 X.X ± 0.30 X.XX ± 0.20 X.XXX ± 0.10	Metric (mm)
Revision	C3	Angle	± 2°
Date	31/12/21	3rd Angle Projection	

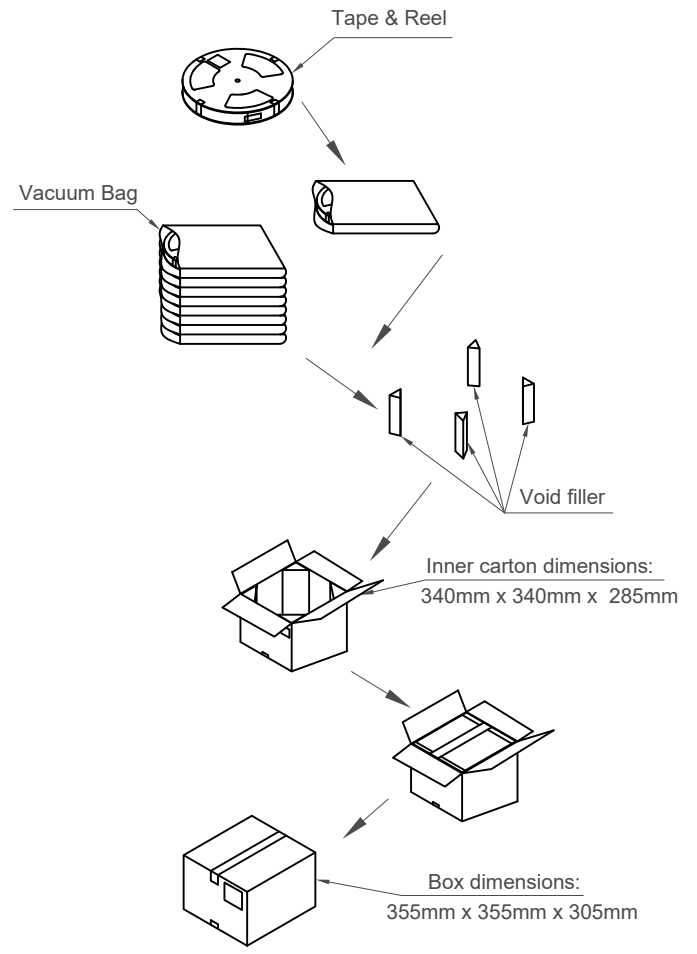
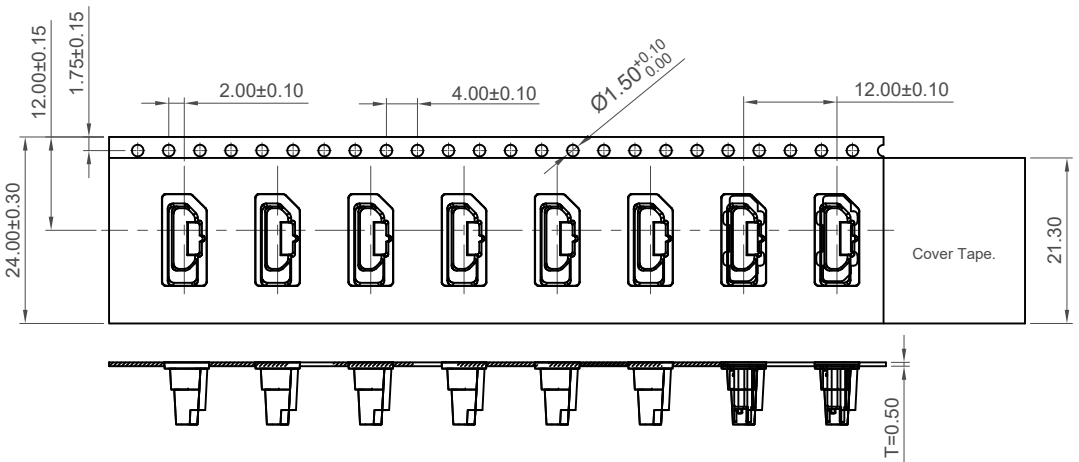
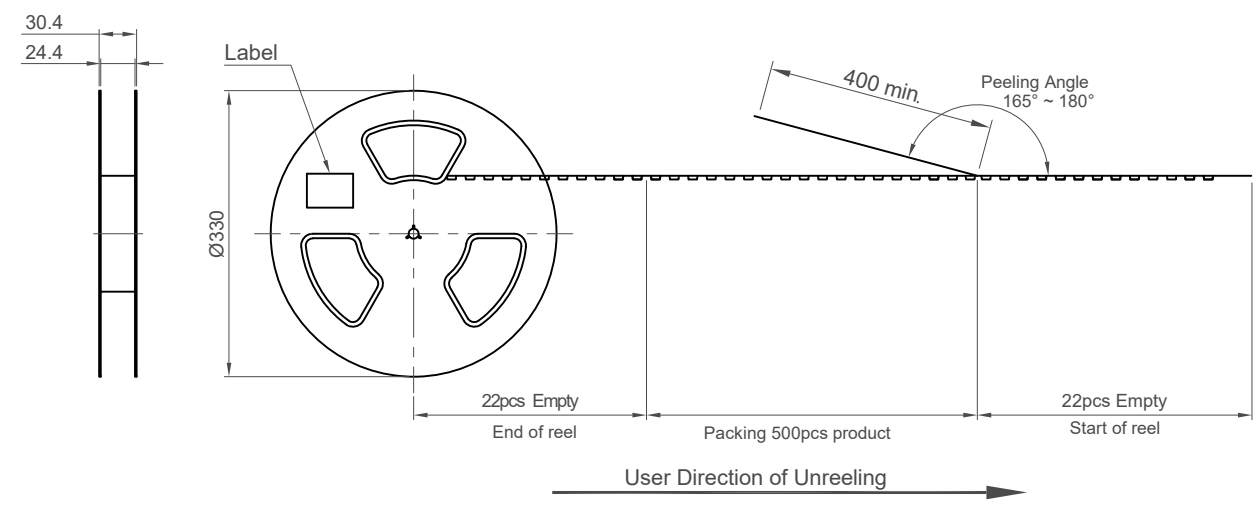


This drawing is confidential and copyright of Global Connector Technology, Ltd (GCT). This drawing must not be copied or disclosed without written consent. E & OE



Not to Scale	Drawn By CC	Sheet No. 1/2
--------------	----------------	------------------

H
G
F
E
D
C
B
A



Notes:
Peeling off force of top tape: 0.1-1.3N (Peeling direction as shown)

Materials:
Carrier Tape: Polystyrene (PS)
Top Tape: PE
Reel Tape: Polystyrene (PS)
Bag: PE

Pcs / Reel	Reels / Carton	Total Quantity
500	9	4500 pcs

Part Number		Product Description	
USB3160		Micro USB Receptacle, Type B, Surface Mount, Vertical, With Locating Peg & Through-Hole Shell Stakes	
Drawing Date		2nd November 2016	
By	CC	Tolerances (Except as Noted)	Units:
Detail	USB3160 C PCN	Length X. ± 0.20 X.X ± 0.15 X.XX ± 0.10 X.XXX ± 0.05	Metric (mm)
Revision	C3	Angle ± 2°	3rd Angle Projection
Date	31/12/21		



This drawing is confidential and copyright of Global Connector Technology, Ltd (GCT). This drawing must not be copied or disclosed without written consent. E & OE



Not to Scale	Drawn By CC	Sheet No. 2/2
--------------	----------------	------------------

X-ON Electronics

Largest Supplier of Electrical and Electronic Components

Click to view similar products for [USB Connectors](#) category:

Click to view products by [GCT](#) manufacturer:

Other Similar products are found below :

[950](#) [A-USB A-LP-SMT-C](#) [A-USB B-TOP-C](#) [MUSBA511N5](#) [MUSBD11135](#) [217450-1](#) [KMBVX-TH-5S-B30](#) [896-30-004-00-000000](#)
[KUSBX-AS2N-W](#) [KUSBX-SMT2AP1S-W30](#) [935](#) [957](#) [30-498-6](#) [SK-60A-2](#) [1734082-1](#) [CIR08AF-20-27S-F80-20](#) [CIR08F-20](#) [30-1574](#) [30-470](#) [30-489](#) [30-541](#) [30-572-3](#) [A-USB A-2P-C](#) [MIKROE-1451](#) [USBFTV2PEM2G](#) [USBFTVC6ZN](#) [USBFTVSCCG](#) [4689-1](#) [1-1734084-2](#)
[CIR08F-20-27P-F80-VO](#) [USBF21ZNSCC](#) [USBBFTV6ZC](#) [MUSBB151341](#) [10135326-001LF](#) [M9177/3-1](#) [USB-A-S-F-B-VT](#) [925](#) [4198](#) [690-024-633-031](#) [UB-20PMFP-LC7001](#) [USBFTVC6MRG](#) [UA-20BMFA-SL8001](#) [17-200011](#) [USBFTVC7ZC](#) [UB-20AFMM-LL7A01](#)
[USBFTVC2MN](#) [CAP-WCCMLPB1](#) [CAP-WCCMLPC1](#) [2041386-1](#) [2274475-3](#)