

**Specifications**

**Material**

Plastic Housing : LCP, UL94V-0, Black  
 Contact Terminal : Copper Alloy  
 Metallic Shell : Stainless Steel T=0.25mm.

**Plating**

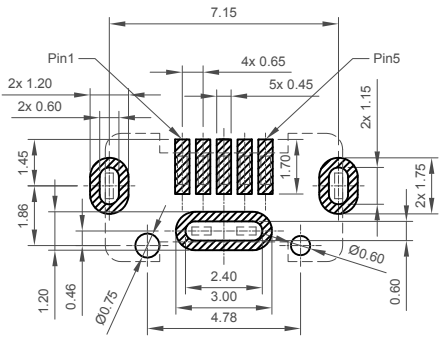
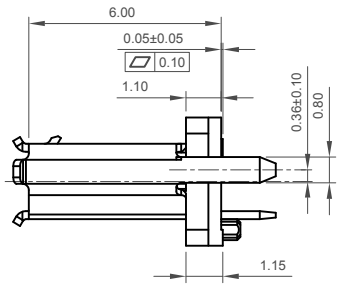
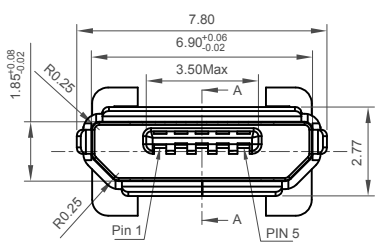
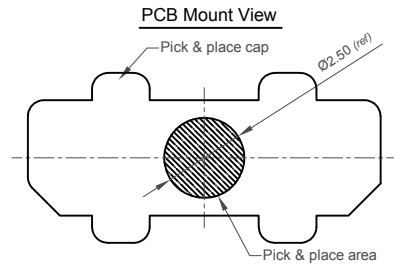
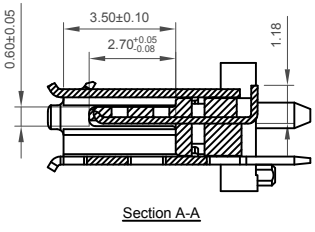
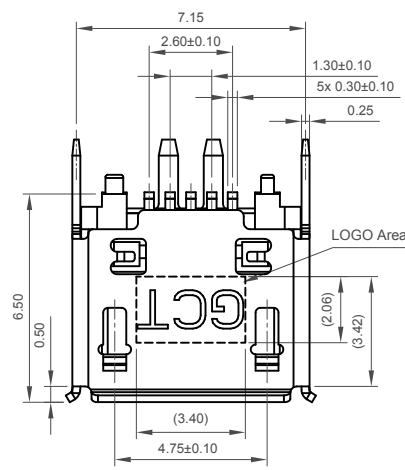
Contact Terminal:  
 Contact Area: 30µ" Gold  
 Solder Tails: Gold Flash  
 Underplating: 50µ" Nickel  
 Metallic Shell: Matte Tin over 50µ" Nickel

**Electrical**

Voltage Rating: 30 V AC  
 Current Rating: Signal (Pins 2,3,4): 1.0 A.  
 Power (Pins 1,5): 1.8A.  
 Operating Temperature: -30°C to +85°C.  
 Contact Resistance: 30mΩ max.  
 Insulating Resistance: 1000MΩ min.  
 Dielectric Withstand Voltage: 100V AC/minute

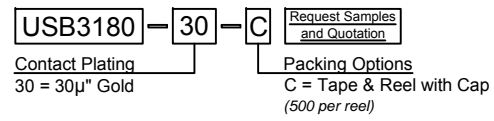
**Mechanical & Environmental**

Mating Force: 35N max.  
 Unmating Force: 8N to 25N after durability test  
 Durability: 10,000 Cycles

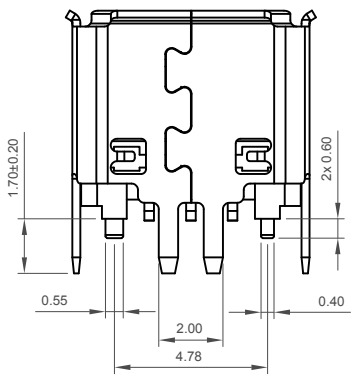


**Recommended PCB Layout**  
 As viewed from component side General Tolerance: ±0.05  
 [Hatched] Solder Area [Outline] Component Outline

**Ordering Grid**



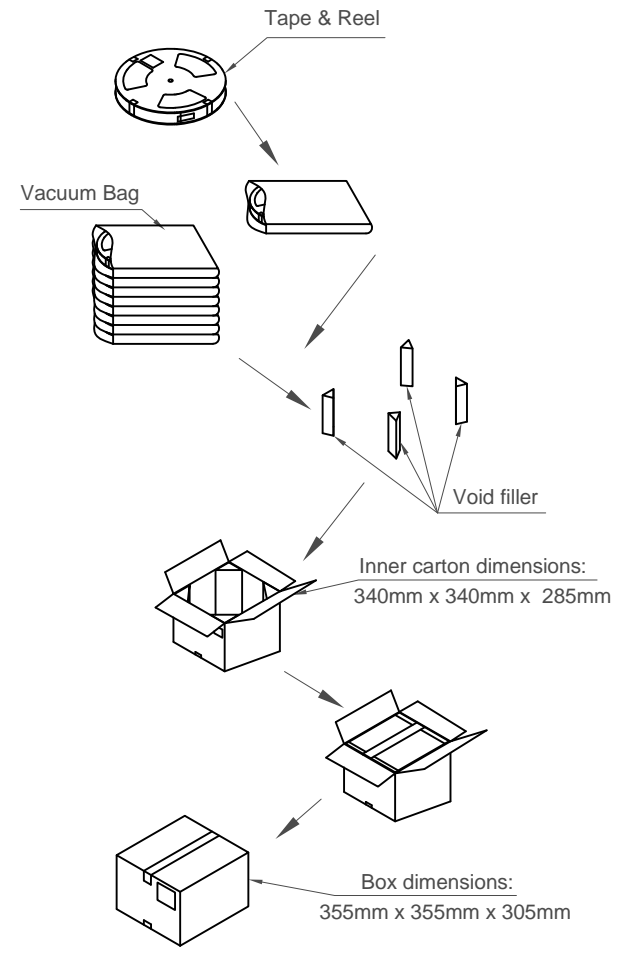
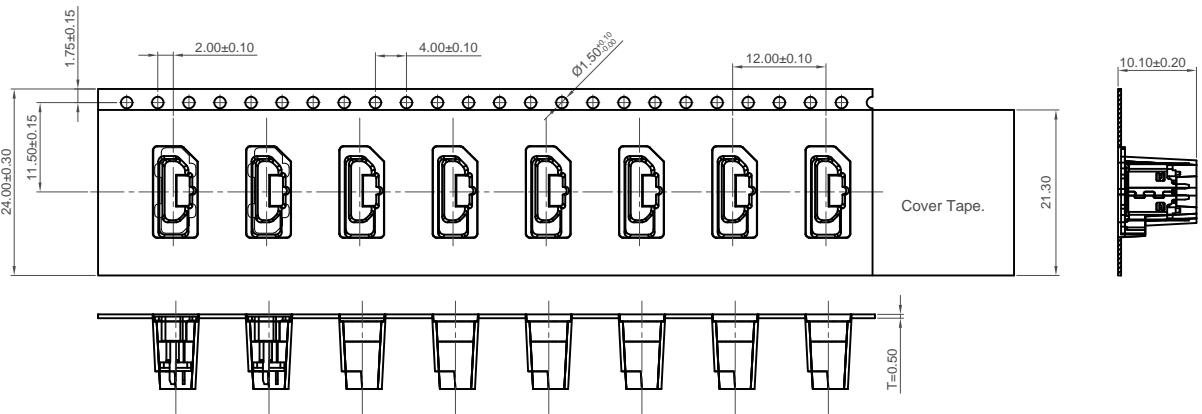
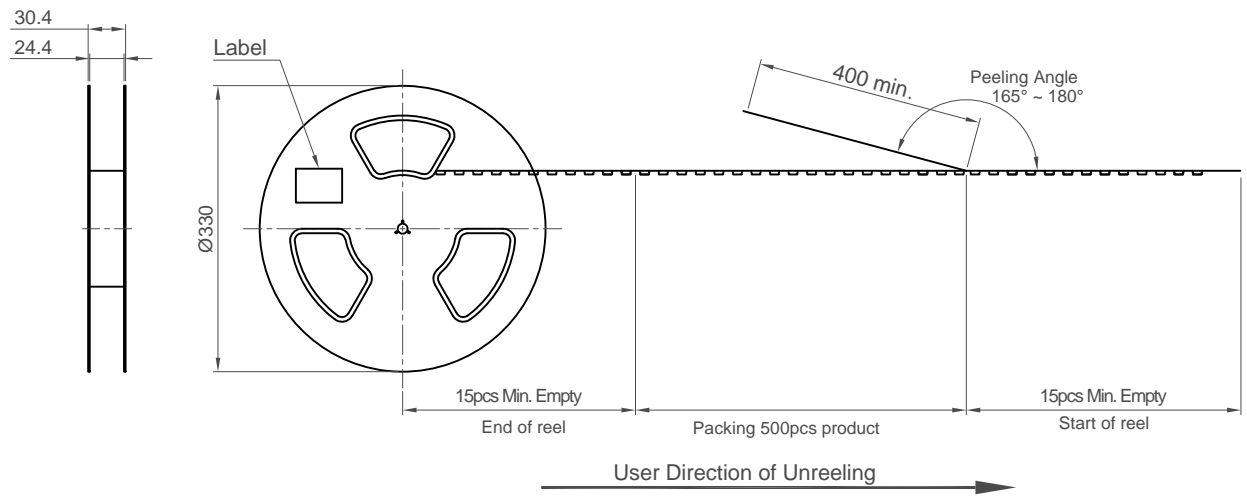
Designed to comply with physical, electrical and environmental requirements of Micro USB Standard (USB2.0)



Part Number		Product Description	
USB3180		Micro USB Receptacle, Type B, Surface Mount, Vertical, with Through-Hole Shell Stakes	
Drawing Date		2nd April 2020	
By	CC	Tolerances (Except as Noted)	Units:
Detail	Drawing Release	Length X ±0.50	Metric (mm)
Revision	A	Angle X.X ± 0.30	
Date	02/04/20	X.XX ± 0.20	
		X.XXX ± 0.10	X.X° ± 2°
		This drawing is confidential and copyright of Global Connector Technology, Ltd (GCT). This drawing must not be copied or disclosed without written consent. E & OE	
Not to Scale	Drawn By	Sheet No.	
	CC	1/2	






H  
G  
F  
E  
D  
C  
B  
A



Notes:  
Peeling off force of top tape: 0.1-1.3N (Peeling direction as shown)

Materials:  
Carrier Tape: Polystyrene (PS)  
Top Tape: PE  
Reel Tape: Polystyrene (PS)

Pcs / Reel	Reels / Carton	Total Quantity
500	9	4500 pcs

Part Number USB3180		Product Description Micro USB Receptacle, Type B, Surface Mount, Vertical, with Through-Hole Shell Stakes		 <a href="http://www.gct.co">www.gct.co</a>
Drawing Date 2nd April 2020				
By	CC	Tolerances (Except as Noted)	Units:	  This drawing is confidential and copyright of Global Connector Technology, Ltd (GCT). This drawing must not be copied or disclosed without written consent. E & OE
Detail	Drawing Release	Length X.±0.20 X.X ± 0.15 X.XX ± 0.10 X.XXX ± 0.05	Angle X.X° ± 2°	
Revision	A	3rd Angle Projection		
Date	02/04/20			
				Not to Scale
				Drawn By CC
				Sheet No. 2/2

1 2 3 4 5 6 7 8

## X-ON Electronics

Largest Supplier of Electrical and Electronic Components

*Click to view similar products for [USB Connectors](#) category:*

*Click to view products by [GCT](#) manufacturer:*

Other Similar products are found below :

[950](#) [A-USB A-LP-SMT-C](#) [A-USB B-TOP-C](#) [MUSBA511N5](#) [MUSBD11135](#) [217450-1](#) [KMBVX-TH-5S-B30](#) [896-30-004-00-000000](#)  
[KUSBX-AS2N-W](#) [KUSBX-SMT2AP1S-W30](#) [935](#) [957](#) [30-498-6](#) [SK-60A-2](#) [1734082-1](#) [CIR08AF-20-27S-F80-20](#) [CIR08F-20](#) [30-1574](#) [30-470](#) [30-489](#) [30-541](#) [30-572-3](#) [A-USB A-2P-C](#) [MIKROE-1451](#) [USBFTV2PEM2G](#) [USBFTVC6ZN](#) [USBFTVSCCG](#) [4689-1](#) [1-1734084-2](#)  
[CIR08F-20-27P-F80-VO](#) [USBF21ZNSCC](#) [USBBFTV6ZC](#) [MUSBB151341](#) [10135326-001LF](#) [M9177/3-1](#) [USB-A-S-F-B-VT](#) [925](#) [4198](#) [690-024-633-031](#) [UB-20PMFP-LC7001](#) [USBFTVC6MRG](#) [UA-20BMFA-SL8001](#) [17-200011](#) [USBFTVC7ZC](#) [UB-20AFMM-LL7A01](#)  
[USBFTVC2MN](#) [CAP-WCCMLPB1](#) [CAP-WCCMLPC1](#) [2041386-1](#) [2274475-3](#)