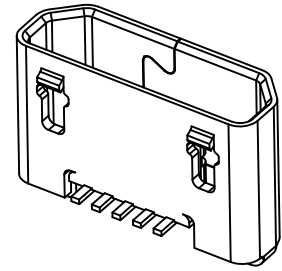
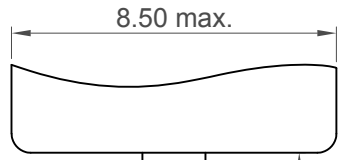
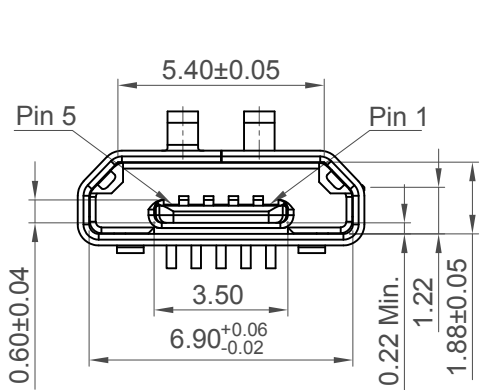


H  
G  
F  
E  
D  
C  
B  
A



**Specifications**

**Material**

Plastic Housing : LCP, UL94V-0, Black  
 Contact Terminal : C2680, T=0.15mm  
 Metallic Shell : SUS304, T=0.30mm

**Plating**

Contact Terminal:  
 Contact Area: Gold Flash  
 Solder Tails: Gold Flash  
 Underplating: 50µ" Nickel  
 Metallic Shell: 50µ" Nickel over all

**Electrical**

Voltage Rating: 30 V AC  
 Current Rating: Signal (Pins 2,3,4): 1.0 A.  
 Power (Pins 1,5): 1.8A.  
 Operating Temperature: -30°C to +85°C.  
 Contact Resistance: 30mΩ max.  
 Insulating Resistance: 1000MΩ min.  
 Dielectric Withstand Voltage: 100V AC/minute

**Mechanical & Environmental**

Mating Force: 35N max.  
 Unmating Force: 8N to 25N after durability test  
 Durability: 10,000 Cycles

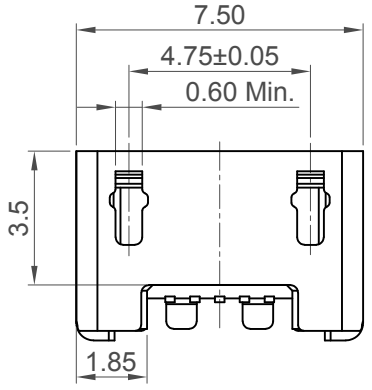
**Ordering Grid**

-  -

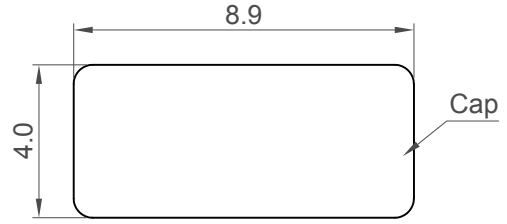
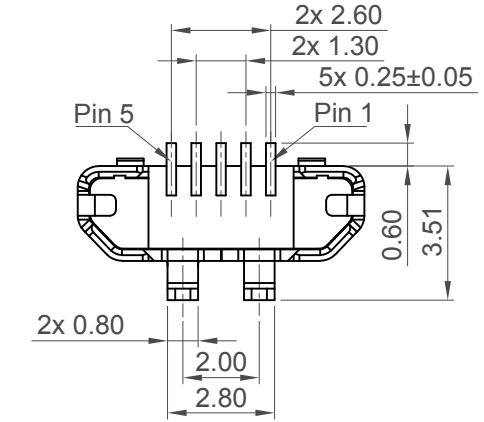
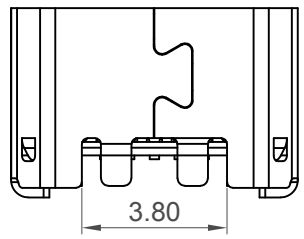
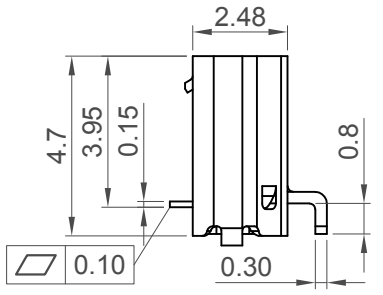
=  =

**Contact Plating**  
 GF = Gold Flash

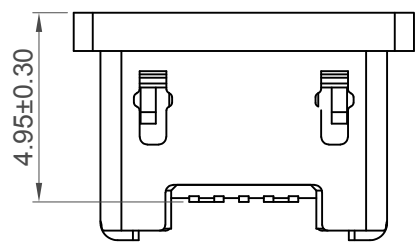
**Packing Options**  
 C = Tape & Reel with Cap  
 (900 per reel)



**Plug and Receptacle Mating View**



Cap



**Pick & Place Cap**

Part Number		Product Description	
USB3190		Micro USB Receptacle, Type B, Surface Mount, Vertical, Low Profile	
Drawing Date		31st July 2020	
By	CC	Tolerances (Except as Noted)	Units:
Detail	Drawing Release	Length	Metric (mm)
Revision	A2	X.X ± 0.30	
Date	12/10/20	X.XX ± 0.20	
		X.XXX ± 0.10	
		Angle	3rd Angle Projection

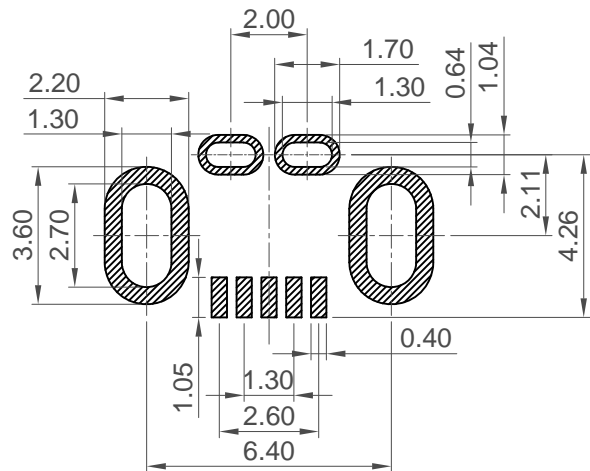


This drawing is confidential and copyright of Global Connector Technology, Ltd (GCT). This drawing must not be copied or disclosed without written consent. E & OE

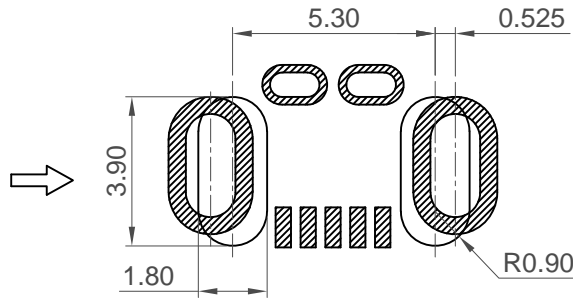


Not to Scale	Drawn By CC	Sheet No. 1/3
--------------	-------------	---------------

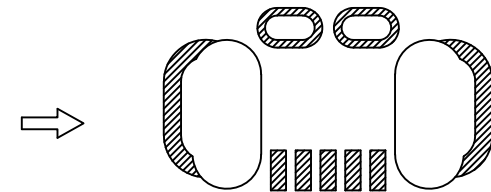
1 2 3 4 5 6 7 8



Step 1: Create plated through holes



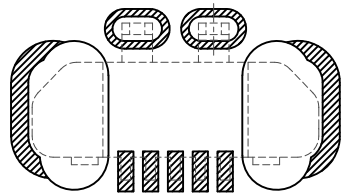
Step 2: Drill holes after plated through holes created



Step 3: Finished PCB holes

**Irregularly-shaped holes manufacture process**

General tolerance:  $\pm 0.05$



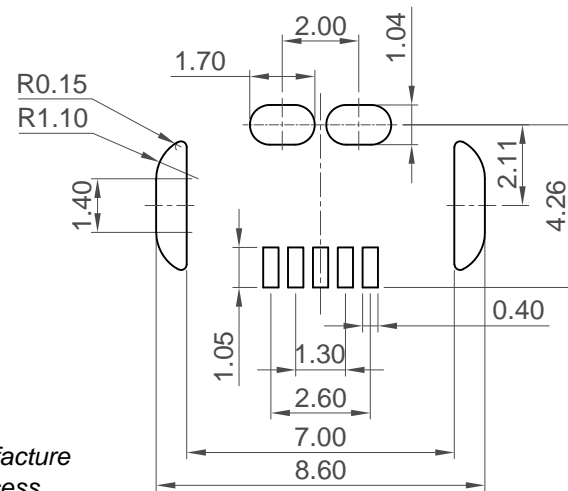
**Recommended PCB Layout**

Recommended PCB Thickness: 1.00mm

General tolerance:  $\pm 0.05$

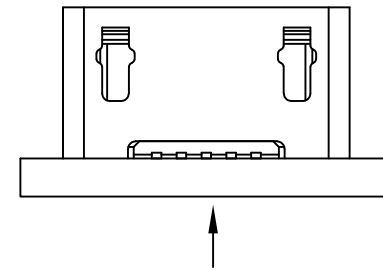
Note: please refer to Irregularly-shaped holes manufacture process for detail PCB layout dimension and process

▨ Solder Area □ Component Outline



**Recommended Solder mask**

Thickness = 0.12mm

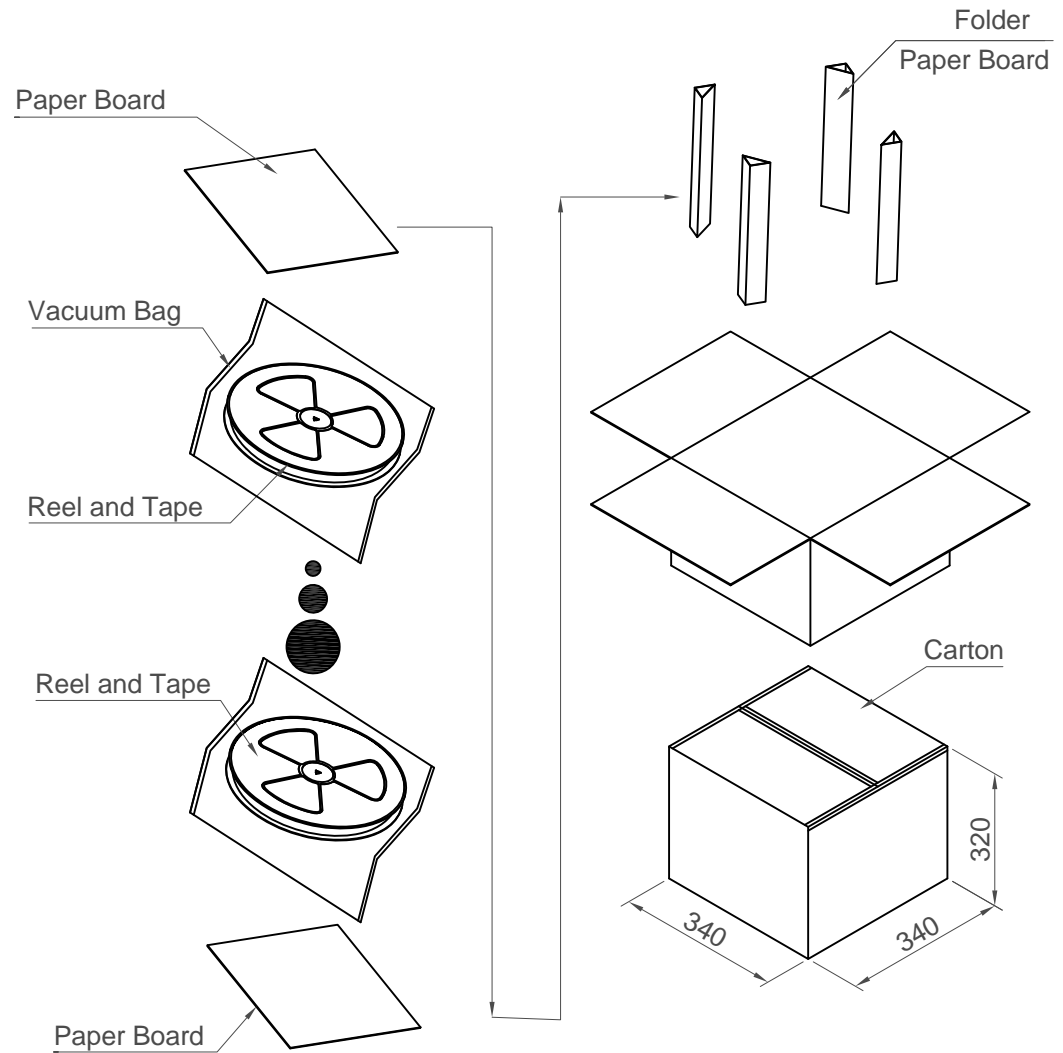
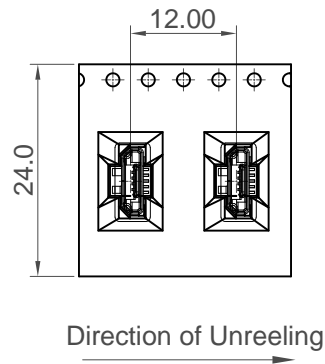
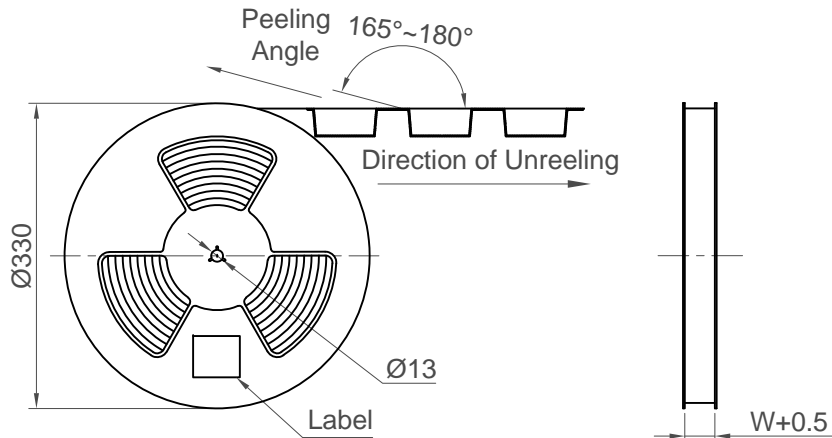
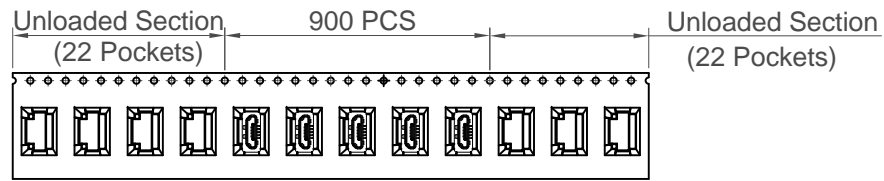


**Note:**

1. Solder balls may present on bottom side of the PCBA after reflow soldering. Washing & cleaning is recommended to remove debris.
2. Some additional hand soldering may be required after reflow.

Part Number		Product Description				This drawing is confidential and copyright of Global Connector Technology, Ltd (GCT). This drawing must not be copied or disclosed without written consent. E & OE
USB3190		Micro USB Receptacle, Type B, Surface Mount, Vertical, Low Profile				
Drawing Date		31st July 2020				
By	CC	Tolerances (Except as Noted)	Units:			This drawing is confidential and copyright of Global Connector Technology, Ltd (GCT). This drawing must not be copied or disclosed without written consent. E & OE
Detail	Drawing Release	Length	Metric (mm)			
Revision	A2	X.X $\pm 0.30$				
Date	12/10/20	X.XX $\pm 0.20$				
		X.XXX $\pm 0.10$				
				Not to Scale		Drawn By CC
						Sheet No. 2/3





Pcs / Reel	Reels / Carton	Total Quantity
900	10	9,000 pcs

Part Number		Product Description	
USB3190		Micro USB Receptacle, Type B, Surface Mount, Vertical, Low Profile	
Drawing Date		31st July 2020	
By	CC	Tolerances (Except as Noted)	Units:
Detail	Drawing Release	Length	Metric (mm)
Revision	A2	X.X ± 0.30	
Date	12/10/20	X.XX ± 0.20	
		X.XXX ± 0.10	

This drawing is confidential and copyright of Global Connector Technology, Ltd (GCT). This drawing must not be copied or disclosed without written consent. E & OE



Not to Scale	Drawn By CC	Sheet No. 3/3
--------------	----------------	------------------

## X-ON Electronics

Largest Supplier of Electrical and Electronic Components

*Click to view similar products for [USB Connectors](#) category:*

*Click to view products by [GCT](#) manufacturer:*

Other Similar products are found below :

[950](#) [A-USB A-LP-SMT-C](#) [A-USB B-TOP-C](#) [MUSBA511N5](#) [MUSBD11135](#) [217450-1](#) [KMBVX-TH-5S-B30](#) [896-30-004-00-000000](#)  
[KUSBX-AS2N-W](#) [KUSBX-SMT2AP1S-W30](#) [935](#) [957](#) [30-498-6](#) [SK-60A-2](#) [1734082-1](#) [CIR08AF-20-27S-F80-20](#) [CIR08F-20](#) [30-1574](#) [30-470](#) [30-489](#) [30-541](#) [30-572-3](#) [A-USB A-2P-C](#) [MIKROE-1451](#) [USBFTV2PEM2G](#) [USBFTVC6ZN](#) [USBFTVSCCG](#) [4689-1](#) [1-1734084-2](#)  
[CIR08F-20-27P-F80-VO](#) [USBF21ZNSCC](#) [USBBFTV6ZC](#) [MUSBB151341](#) [10135326-001LF](#) [M9177/3-1](#) [USB-A-S-F-B-VT](#) [925](#) [4198](#) [690-024-633-031](#) [UB-20PMFP-LC7001](#) [USBFTVC6MRG](#) [UA-20BMFA-SL8001](#) [17-200011](#) [USBFTVC7ZC](#) [UB-20AFMM-LL7A01](#)  
[USBFTVC2MN](#) [CAP-WCCMLPB1](#) [CAP-WCCMLPC1](#) [2041386-1](#) [2274475-3](#)