

Specifications

Material

Insulator: High Temp. Plastic UL 94V-0, Black  
 Contact: Copper Alloy  
 Shell(including pegs): Stainless Steel

Plating

Contact: 30µ" Gold  
 Shell: 50µ"-80µ" Nickel over all

Electrical

Current Rating: Signal (Pins 2,3,4): 1.0A  
 Power (Pins 1,5): 1.8A  
 Voltage Rating: 30V AC  
 Contact Resistance: 30mΩ max.  
 Dielectric Withstanding Voltage: 100V AC  
 Insulation Resistance: 1000MΩ min. 100V DC

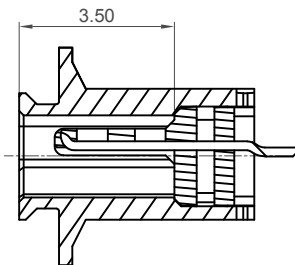
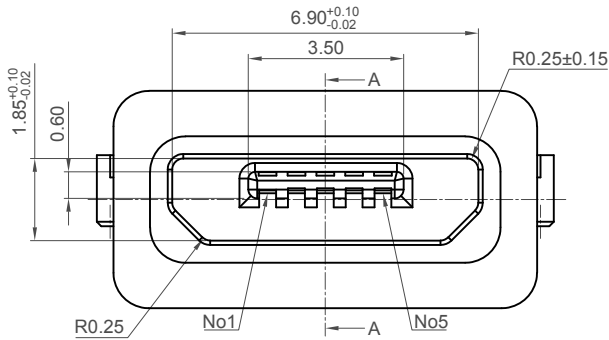
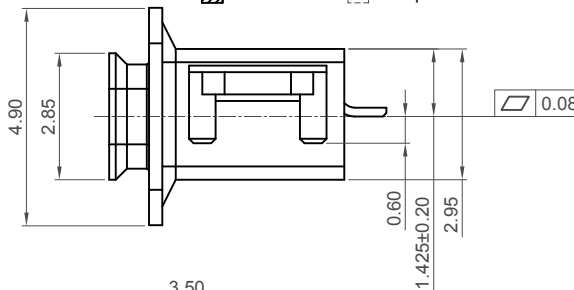
Mechanical & Environmental

Operating Temperature: -30°C to +85°C  
 Mating Force: 35N max.  
 Unmated Force: 8N to 25N  
 Durability: 10,000 cycles  
 Ingress Protection Rating: IP67

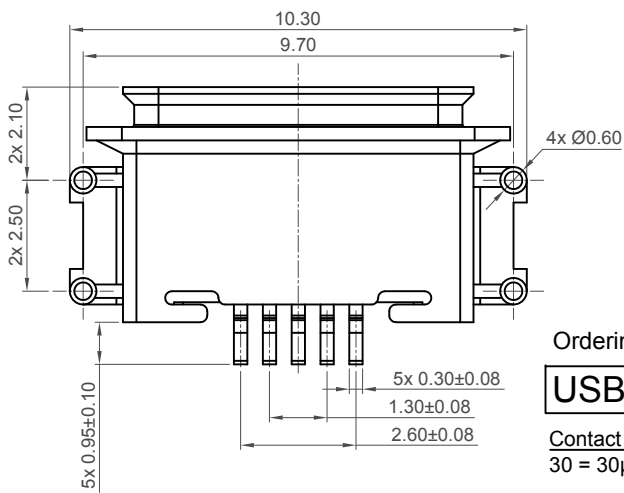
Recommended PCB Layout

As viewed from component side Tolerance: ±0.03mm  
 Recommended PCB Thickness: 0.60mm

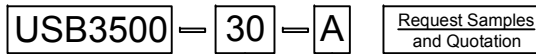
▨ Solder Area □ Component Outline



Section A-A



Ordering Grid



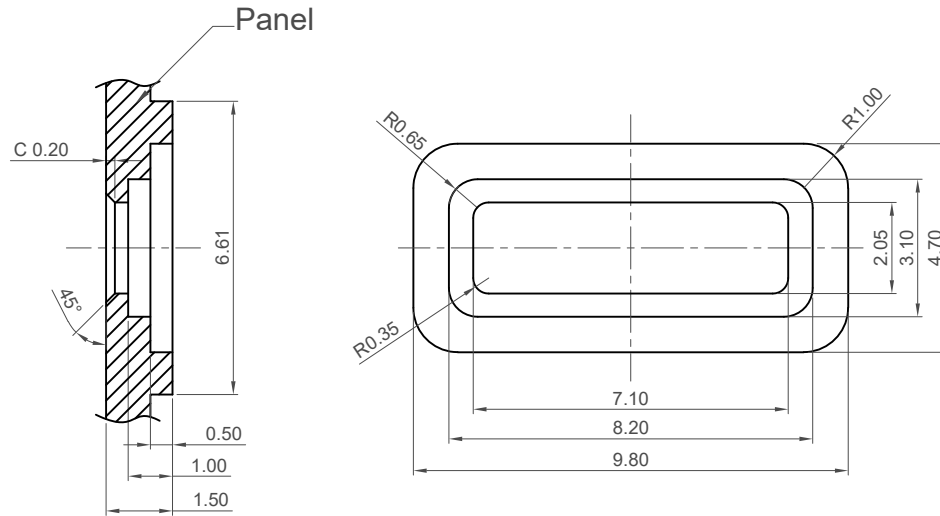
Contact Plating  
 30 = 30µ" Gold

Packing Options  
 A = Tape & Reel  
 (1,000 per reel)

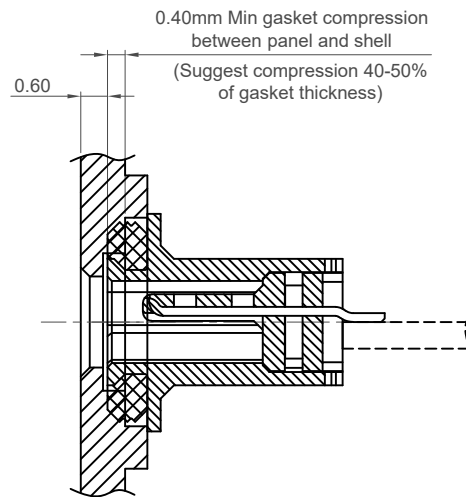
Part Number		Product Description	
USB3500		Micro USB Type B Receptacle, Mid-Mount, IP67	
Drawing Date		16th January 2019	
By	CC	Tolerances (Except as Noted)	Units:
Detail	Drawing Release	Length	Metric (mm)
Revision	A2	X. ± 0.50	
Date	20/12/19	X.X ± 0.30	
		X.XX ± 0.20	
		X.XXX ± 0.10	
		Angle	
		± 1°	This drawing is confidential and copyright of Global Connector Technology, Ltd (GCT). This drawing must not be copied or disclosed without written consent. E & OE



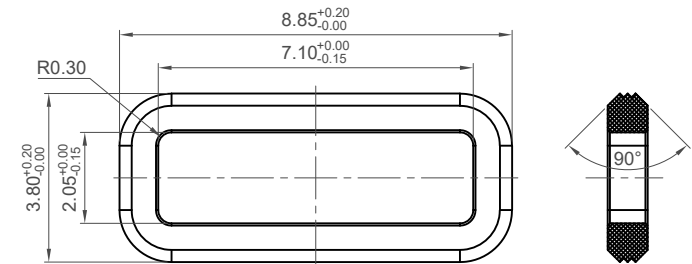
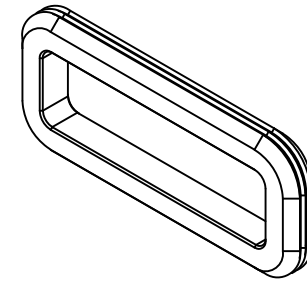
Not to Scale	Drawn By CC	Sheet No. 1/4
--------------	-------------	---------------



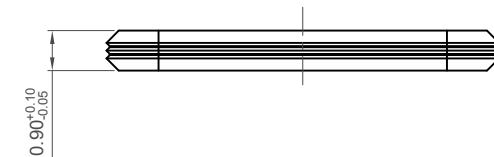
**Recommended Panel Spec**  
Tolerance:  $\pm 0.05\text{mm}$



(Suggest compression 40-50% of gasket thickness)



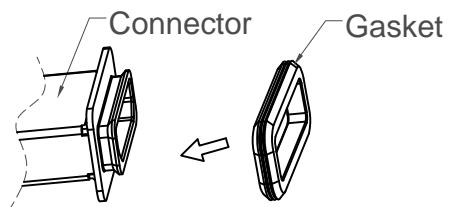
**Recommended Waterproof Gasket**  
Gasket Part No.: USBTJ-02  
(Gasket must be ordered separately)  
(See separate datasheet for specification)



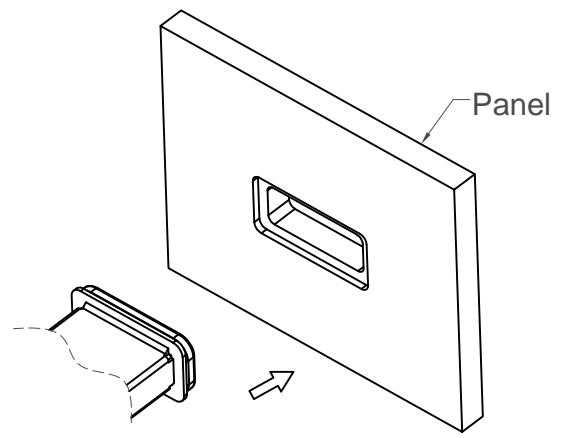
Part Number		Product Description		<b>GCT</b> www.gct.co
USB3500		Micro USB Type B Receptacle, Mid-Mount, IP67		
Drawing Date		16th January 2019		
By	CC	Tolerances (Except as Noted)	Units:	 This drawing is confidential and copyright of Global Connector Technology, Ltd (GCT). This drawing must not be copied or disclosed without written consent. E & OE
Detail	Drawing Release	Length	Metric (mm)	
Revision	A2	Angle	± 1°	
Date	20/12/19	X. ± 0.50	 3rd Angle Projection	
		X.X ± 0.30		
		X.XX ± 0.20		
		X.XXX ± 0.10		

Not to Scale | Drawn By CC | Sheet No. 2/4

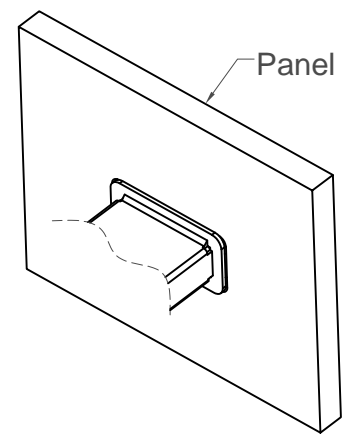
H  
G  
F  
E  
D  
C  
B  
A



Step 1



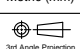



Step 2



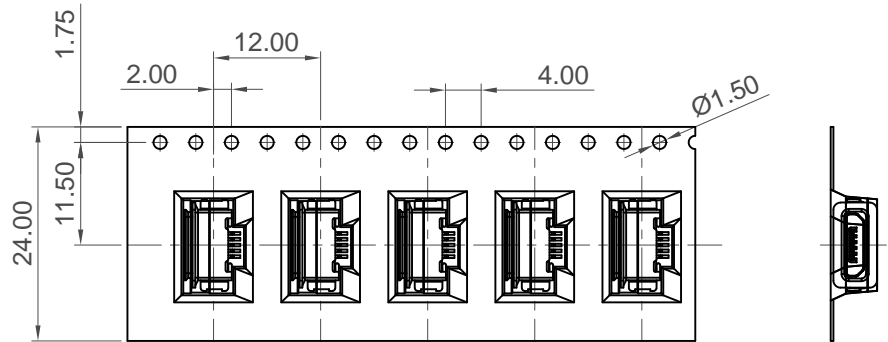
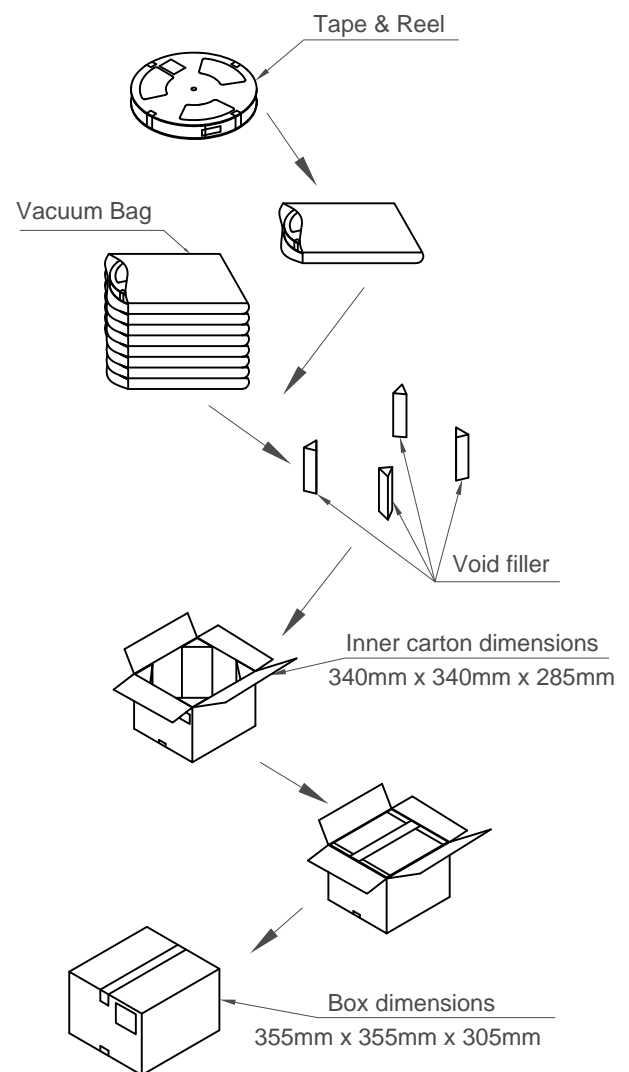
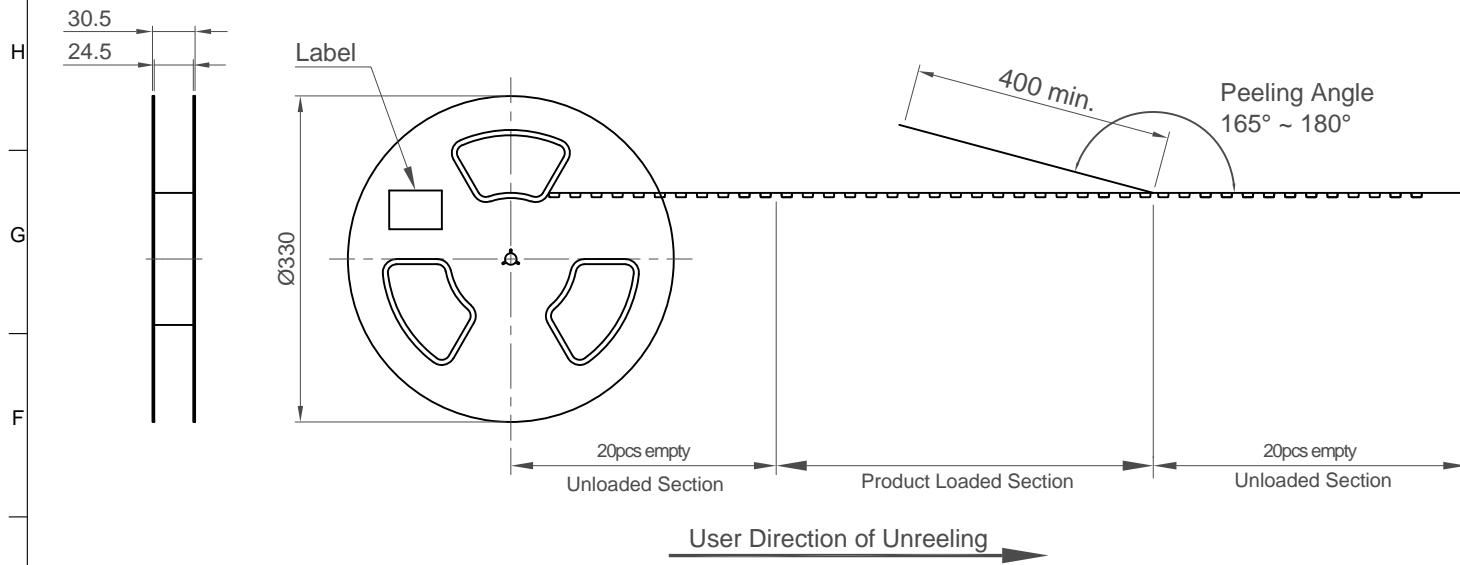
Step 3

Assembly instruction for Gasket set after Reflow  
Available for Micro USB Waterproof Series

Part Number		Product Description				This drawing is confidential and copyright of Global Connector Technology, Ltd (GCT). This drawing must not be copied or disclosed without written consent. E & OE
USB3500		Micro USB Type B Receptacle, Mid-Mount, IP67				
Drawing Date		16th January 2019				
By	CC	Tolerances (Except as Noted)		Units:		
Detail	Drawing Release	Length	Angle	Metric (mm)		
Revision	A2					
Date	20/12/19					
Not to Scale		Drawn By	CC	Sheet No.	3/4	



1 2 3 4 5 6 7 8



Pcs / Reel	Reels / Carton	Total Quantity
1000	9	9000

Notes:  
Peeling off force of top tape: 0.1-1.3N (Peeling direction as shown)

Materials:  
Carrier Tape: Polystyrene (PS)  
Top Tape: PE  
Reel Tape: Polystyrene (PS)  
Bag: PE

Part Number USB3500		Product Description Micro USB Type B Receptacle, Mid-Mount, IP67	
Drawing Date 16th January 2019			
By CC	Drawing Release	Tolerances (Except as Noted) Length	Angle
Detail	A2	Units: Metric (mm)	
Revision	20/12/19		
Date		This drawing is confidential and copyright of Global Connector Technology, Ltd (GCT). This drawing must not be copied or disclosed without written consent. E & OE	



Not to Scale	Drawn By CC	Sheet No. 4/4
--------------	----------------	------------------

## X-ON Electronics

Largest Supplier of Electrical and Electronic Components

*Click to view similar products for [USB Connectors](#) category:*

*Click to view products by [GCT](#) manufacturer:*

Other Similar products are found below :

[950](#) [A-USB A-LP-SMT-C](#) [A-USB B-TOP-C](#) [MUSBA511N5](#) [MUSBD11135](#) [217450-1](#) [KMBVX-TH-5S-B30](#) [896-30-004-00-000000](#)  
[KUSBX-AS2N-W](#) [KUSBX-SMT2AP1S-W30](#) [935](#) [957](#) [30-498-6](#) [SK-60A-2](#) [1734082-1](#) [CIR08AF-20-27S-F80-20](#) [CIR08F-20](#) [30-1574](#) [30-470](#) [30-489](#) [30-541](#) [30-572-3](#) [A-USB A-2P-C](#) [MIKROE-1451](#) [USBFTV2PEM2G](#) [USBFTVC6ZN](#) [USBFTVSCCG](#) [4689-1](#) [1-1734084-2](#)  
[CIR08F-20-27P-F80-VO](#) [USBF21ZNSCC](#) [USBBFTV6ZC](#) [MUSBB151341](#) [10135326-001LF](#) [M9177/3-1](#) [USB-A-S-F-B-VT](#) [925](#) [4198](#) [690-024-633-031](#) [UB-20PMFP-LC7001](#) [USBFTVC6MRG](#) [UA-20BMFA-SL8001](#) [17-200011](#) [USBFTVC7ZC](#) [UB-20AFMM-LL7A01](#)  
[USBFTVC2MN](#) [CAP-WCCMLPB1](#) [CAP-WCCMLPC1](#) [2041386-1](#) [2274475-3](#)