

Specifications

Material

Insulator: High Temp. Plastic UL 94V-0, Black  
 Contact: Copper Alloy  
 Shell(including pegs): Stainless Steel

Plating

Contact: 30µ" Gold  
 Shell: 50µ"-80µ" Nickel over all

Electrical

Current Rating: Signal (Pins 2,3,4): 1.0A  
 Power (Pins 1,5): 1.8A  
 Voltage Rating: 30V AC  
 Contact Resistance: 30mΩ max.  
 Dielectric Withstanding Voltage: 100V AC  
 Insulation Resistance: 1000MΩ min. 100V DC

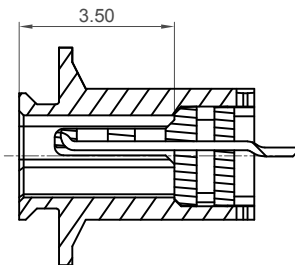
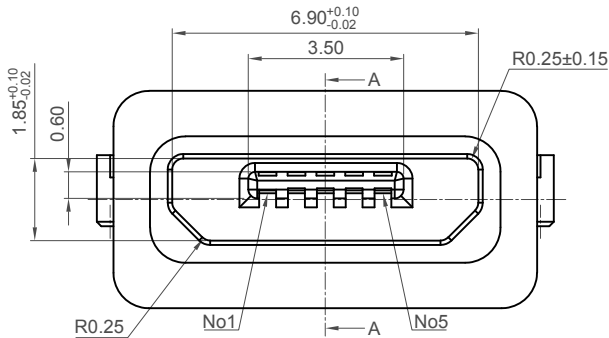
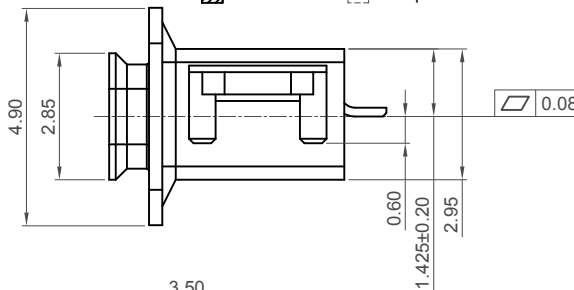
Mechanical & Environmental

Operating Temperature: -30°C to +85°C  
 Mating Force: 35N max.  
 Unmated Force: 8N to 25N  
 Durability: 10,000 cycles  
 Ingress Protection Rating: IP67

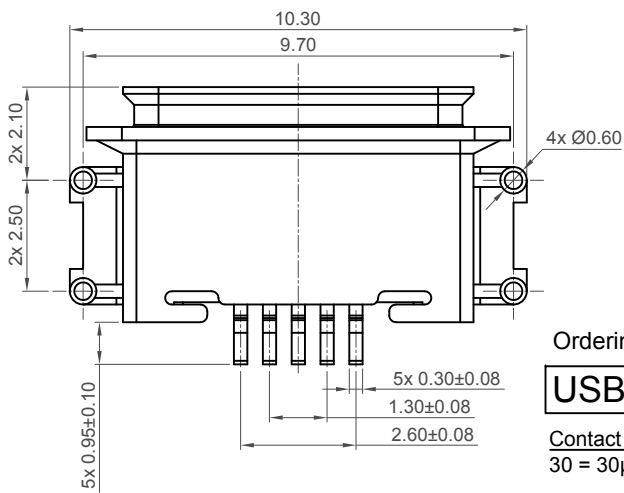
Recommended PCB Layout

As viewed from component side Tolerance: ±0.03mm  
 Recommended PCB Thickness: 0.60mm

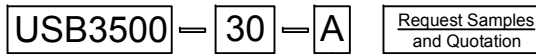
▨ Solder Area □ Component Outline



Section A-A



Ordering Grid



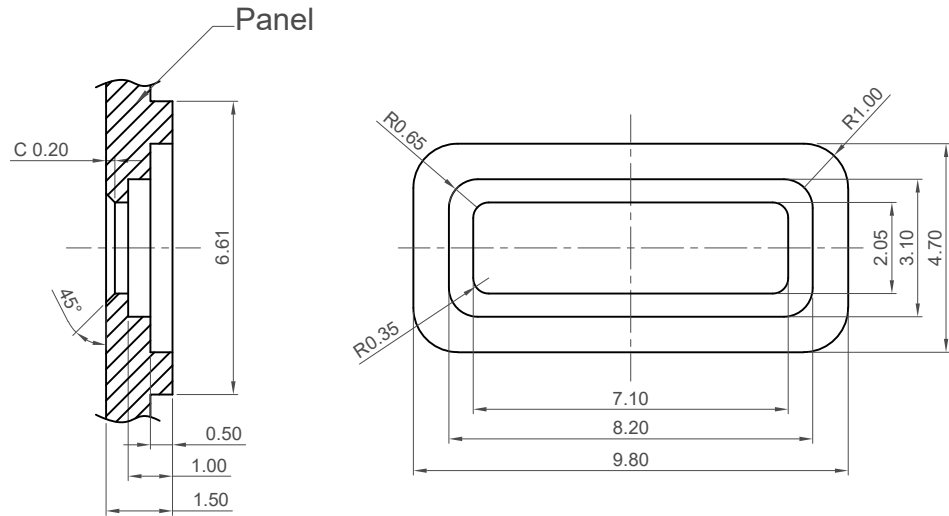
Contact Plating  
 30 = 30µ" Gold

Packing Options  
 A = Tape & Reel  
 (1,000 per reel)

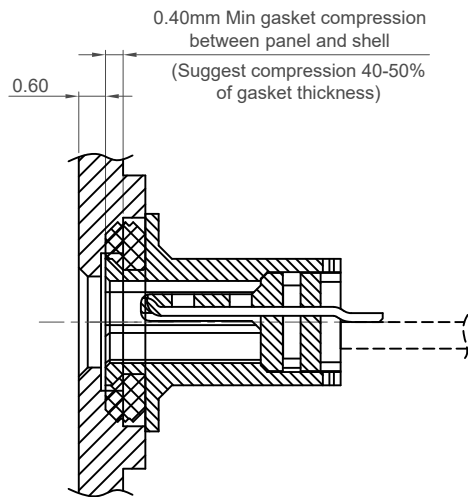
Part Number		Product Description	
USB3500		Micro USB Type B Receptacle, Mid-Mount, IP67	
Drawing Date		16th January 2019	
By	CC	Tolerances (Except as Noted)	Units:
Detail	Drawing Release	Length	Metric (mm)
Revision	A2	X. ± 0.50	
Date	20/12/19	X.X ± 0.30	
		X.XX ± 0.20	
		X.XXX ± 0.10	
		Angle	
		± 1°	This drawing is confidential and copyright of Global Connector Technology, Ltd (GCT). This drawing must not be copied or disclosed without written consent. E & OE



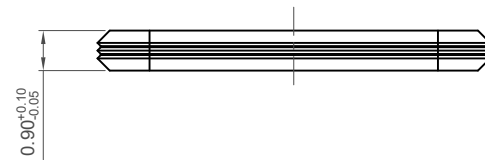
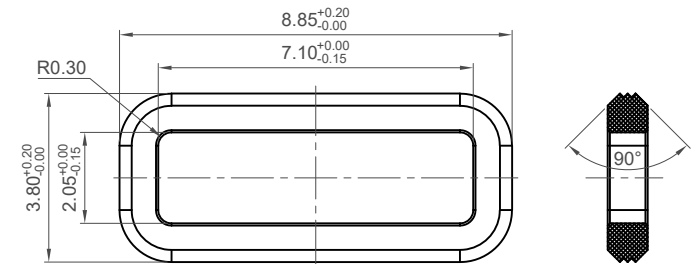
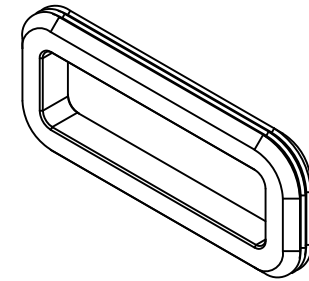
Not to Scale	Drawn By CC	Sheet No. 1/4
--------------	-------------	---------------



**Recommended Panel Spec**  
Tolerance:  $\pm 0.05\text{mm}$



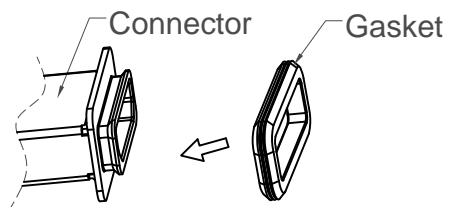
(Suggest compression 40-50% of gasket thickness)



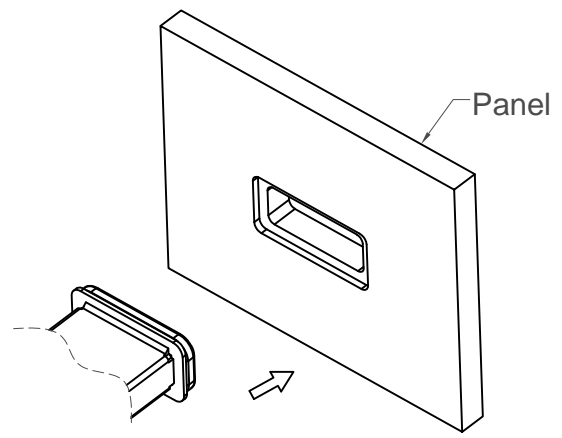
**Recommended Waterproof Gasket**  
Gasket Part No.: USBTJ-02  
(Gasket must be ordered separately)  
(See separate datasheet for specification)

Part Number		Product Description		<b>GCT</b> www.gct.co
USB3500		Micro USB Type B Receptacle, Mid-Mount, IP67		
Drawing Date		16th January 2019		
By	CC	Tolerances (Except as Noted)	Units:	 This drawing is confidential and copyright of Global Connector Technology, Ltd (GCT). This drawing must not be copied or disclosed without written consent. E & OE
Detail	Drawing Release	Length	Metric (mm)	
Revision	A2	Angle	$\pm 1^\circ$	
Date	20/12/19	X. $\pm 0.50$	 3rd Angle Projection	
		X.X $\pm 0.30$		
		X.XX $\pm 0.20$		
		X.XXX $\pm 0.10$		
Not to Scale	Drawn By	CC	Sheet No.	2/4

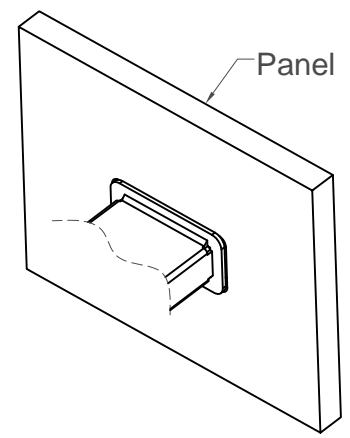
H  
G  
F  
E  
D  
C  
B  
A



Step 1




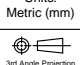


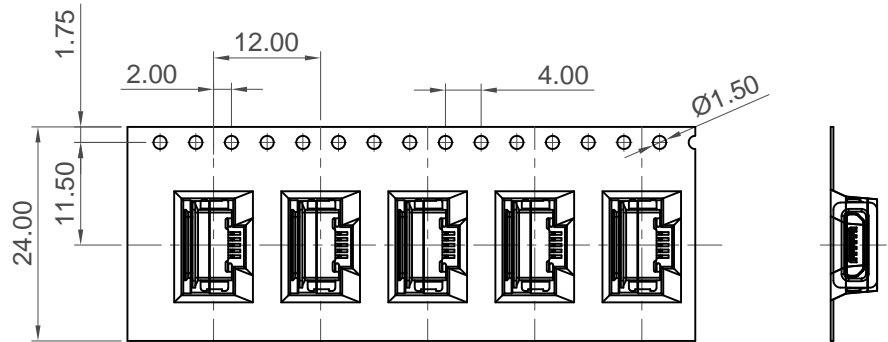
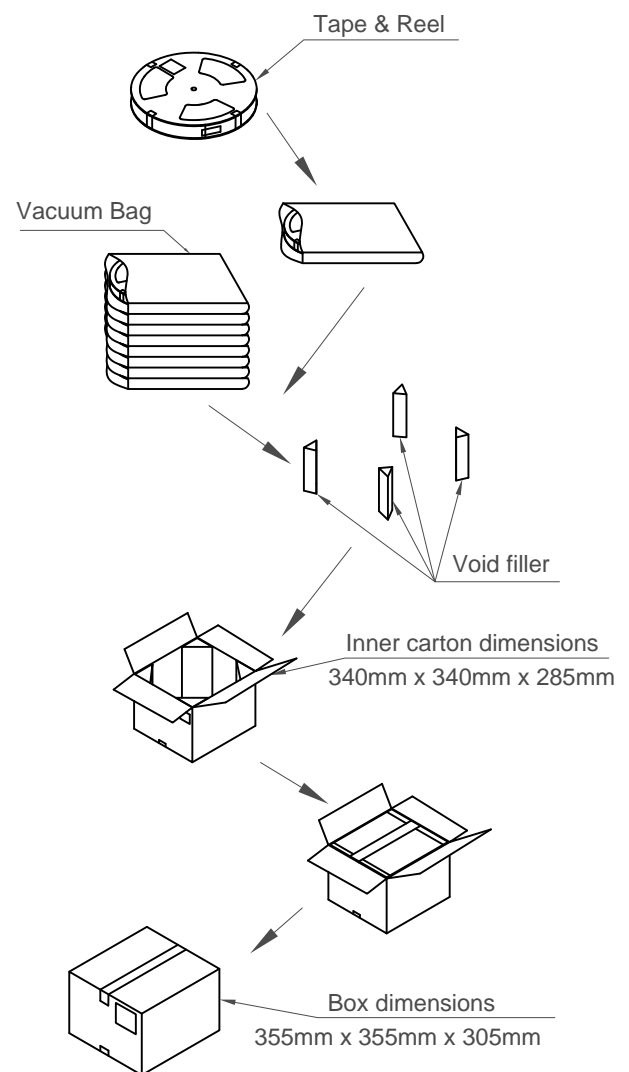
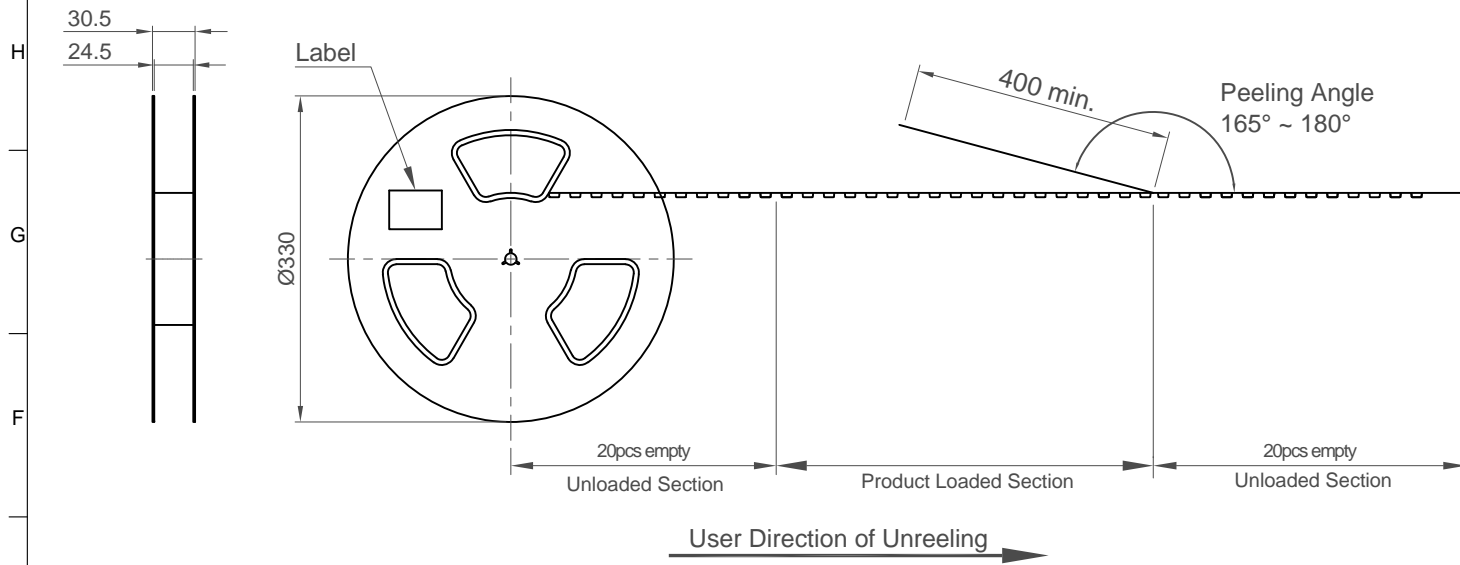
Step 2



Step 3

Assembly instruction for Gasket set after Reflow  
Available for Micro USB Waterproof Series

Part Number		Product Description		 <a href="http://www.gct.co">www.gct.co</a>
USB3500		Micro USB Type B Receptacle, Mid-Mount, IP67		
Drawing Date		16th January 2019		
By	CC	Tolerances (Except as Noted)	Units:	  This drawing is confidential and copyright of Global Connector Technology, Ltd (GCT). This drawing must not be copied or disclosed without written consent. E & OE
Detail	Drawing Release			
Revision	A2	 3rd Angle Projection		
Date	20/12/19			Drawn By



Pcs / Reel	Reels / Carton	Total Quantity
1000	9	9000

Notes:  
Peeling off force of top tape: 0.1-1.3N (Peeling direction as shown)

Materials:  
Carrier Tape: Polystyrene (PS)  
Top Tape: PE  
Reel Tape: Polystyrene (PS)  
Bag: PE

Part Number USB3500		Product Description Micro USB Type B Receptacle, Mid-Mount, IP67	
Drawing Date 16th January 2019			
By CC	CC	Tolerances (Except as Noted) Length	Angle
Detail Drawing Release			
Revision A2			
Date 20/12/19			
		Units: Metric (mm)	Units: Metric (mm)
		3rd Angle Projection	
		RoHS COMPLIANT 2011/65/EU Deca-BDE	© This drawing is confidential and copyright of Global Connector Technology, Ltd (GCT). This drawing must not be copied or disclosed without written consent. E & OE



Not to Scale	Drawn By CC	Sheet No. 4/4
--------------	----------------	------------------

## X-ON Electronics

Largest Supplier of Electrical and Electronic Components

*Click to view similar products for [USB Connectors](#) category:*

*Click to view products by [GCT](#) manufacturer:*

Other Similar products are found below :

[65-647-8-BK-BU](#) [950](#) [952](#) [E8144-B01021-L](#) [A-USB B-TOP-C](#) [MUSBA511N5](#) [MUSBD11135](#) [217450-1](#) [KMBVX-TH-5S-B30](#) [896-30-004-00-000000](#) [KUSBVX-BS1N-W30](#) [KUSBX-AP-KIT-SCBLK](#) [KUSBX-AS2N-W](#) [KUSBX-SMT2AP1S-W](#) [KUSBX-SMT2AP1S-W30](#) [935](#) [957](#) [30-498-6](#) [17-210051](#) [1734082-1](#) [30-1574](#) [30-470](#) [30-489](#) [30-541](#) [30-572-3](#) [A-USB A-2P-C](#) [MIKROE-1451](#) [USBFTV2PEM2G](#) [USBFTVC6ZN](#) [KUSBX-AS2N-W30](#) [KUSBX-SLAS1N-W](#) [KUSBX-SMT-AS1N-W30](#) [4689-1](#) [1-1734084-2](#) [E8110-001-01](#) [33UBARS1-04SW11](#) [33UBAR-04SW11](#) [USBF21ZNSCC](#) [USBBFTV6ZC](#) [10135326-001LF](#) [USB-A-S-F-B-VT](#) [925](#) [4198](#) [690-024-633-031](#) [KUSBEX-BSFS1N-W](#) [USBFTVC6MRG](#) [UA-20BMFA-SL8001](#) [17-250101](#) [USBFTVC7ZC](#) [USBFTV75NF459](#)