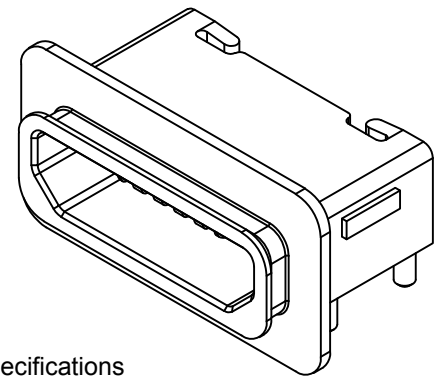


Recommended PCB Layout
 As viewed from component side Tolerance: ±0.03mm
 Recommended PCB Thickness: 0.60mm
 [Hatched Box] Solder Area [Dashed Box] Component Outline



Specifications

Material

Insulator: High Temp. Plastic UL 94V-0, Black
 Contact: Copper Alloy
 Shell (including pegs): Stainless Steel

Plating

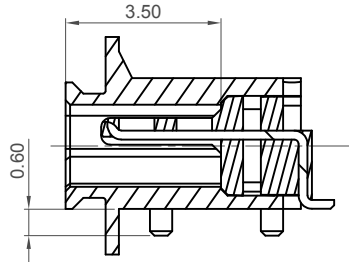
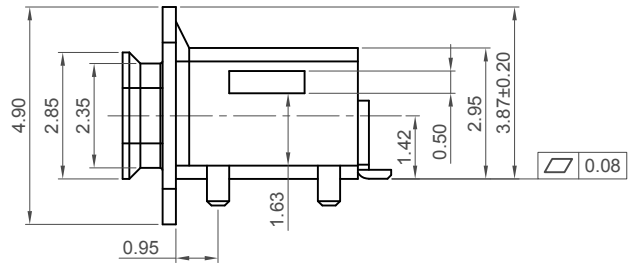
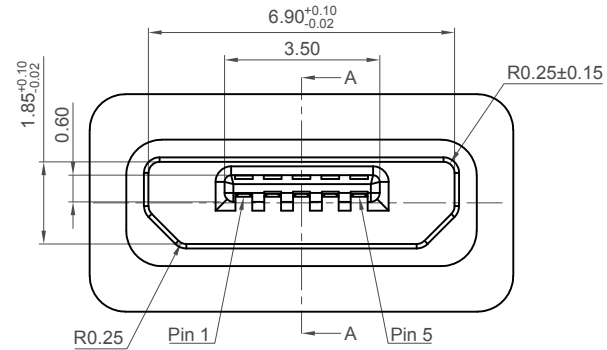
Contact
 Contact Area: 30µ" Gold
 Solder Tails: 75µ"-150µ" Matte Tin
 Under Plating: 50µ" Min Nickel
 Shell: 50µ"-80µ" Nickel over all

Electrical

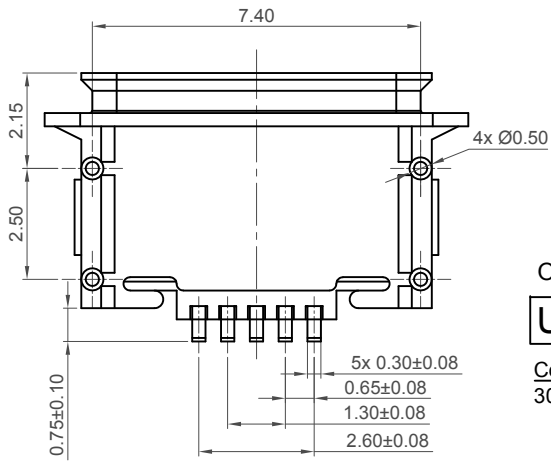
Current Rating: Signal (Pins 2,3,4): 1.0A
 Power (Pins 1,5): 1.8A
 Voltage Rating: 30V AC
 Contact Resistance: 30mΩ max.
 Dielectric Withstanding Voltage: 100V AC
 Insulation Resistance 1000MΩ min

Mechanical & Environmental

Operating Temperature: -30°C to +85°C
 Mating Force: 35N max.
 Unmated Force: 8N min.
 Durability: 10,000 cycles
 Ingress Protection Rating: IP67



Section A-A



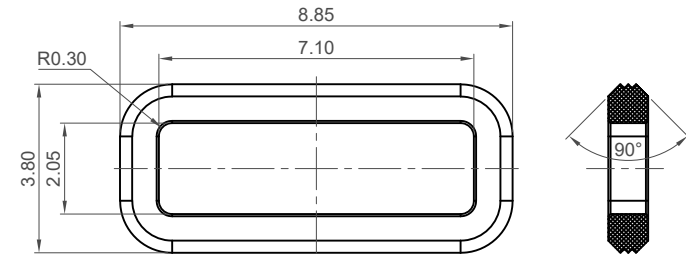
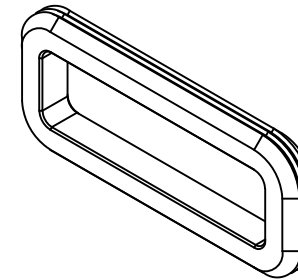
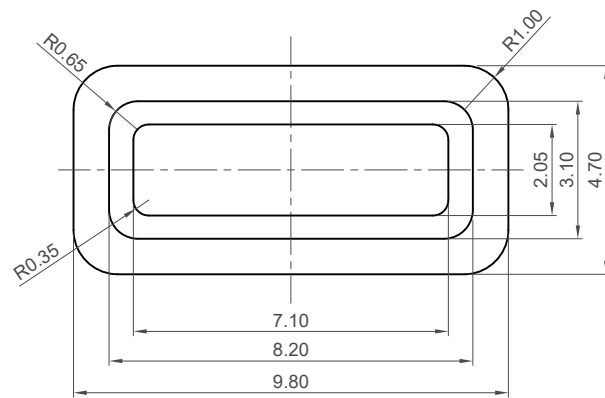
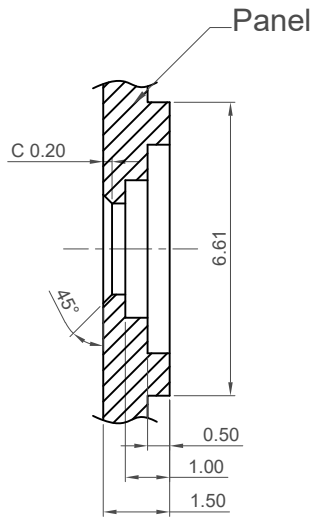
Ordering Grid
USB3505 - **30** - **A** Request Samples and Quotation
Contact Plating
 30 = 30µ" Gold
Packing Options
 A = Tape & Reel
 (1,000 per reel)

Part Number		Product Description	
USB3505		Micro USB Type B Receptacle, Top-Mount, IP67	
Drawing Date		6th September 2019	
By	CC	Tolerances (Except as Noted)	Units:
Detail	Drawing Release	Length X. ± 0.50 X.X ± 0.30 X.XX ± 0.20 X.XXX ± 0.10	Metric (mm)
Revision	A4	Angle ± 1°	
Date	01/04/20		3rd Angle Projection
		This drawing is confidential and copyright of Global Connector Technology, Ltd (GCT). This drawing must not be copied or disclosed without written consent. E & OE	
Not to Scale	Drawn By	Sheet No.	
	CC	1/4	

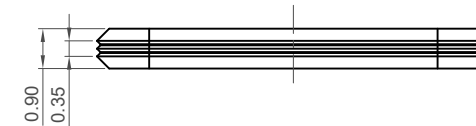
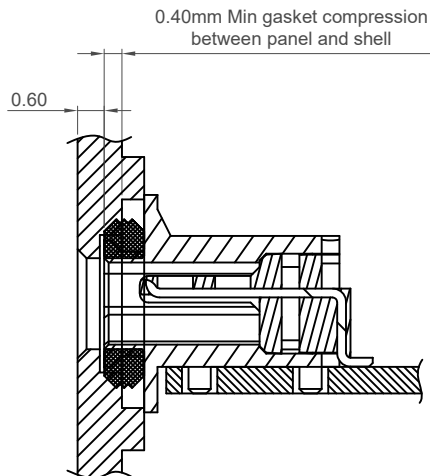


H
G
F
E
D
C
B
A

1 2 3 4 5 6 7 8



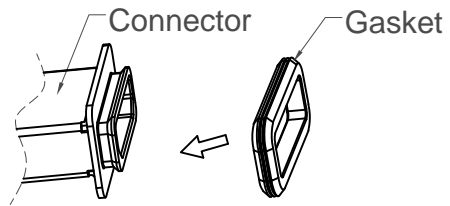
Recommended Panel Spec
Tolerance: ±0.05mm



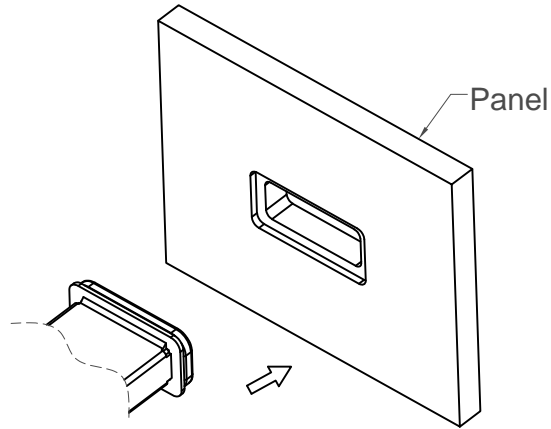
Recommended Waterproof Gasket Spec
Gasket Part No.: USBTJ-02
(Gasket must be ordered separately)
(See separate datasheet for specification)

(Suggest compression 40-50% of gasket thickness)

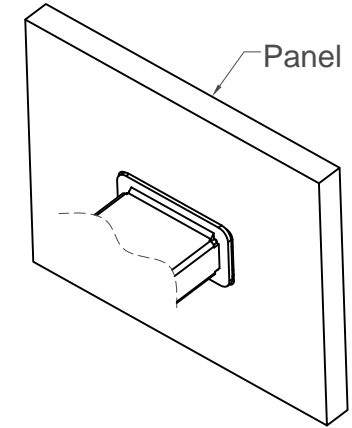
Part Number		Product Description		GCT www.gct.co
USB3505		Micro USB Type B Receptacle, Top-Mount, IP67		
Drawing Date		6th September 2019		
By	CC	Tolerances (Except as Noted)	Units:	 This drawing is confidential and copyright of Global Connector Technology, Ltd (GCT). This drawing must not be copied or disclosed without written consent. E & OE
Detail	Drawing Release	Length	Metric (mm)	
Revision	A4	Angle	± 1°	
Date	01/04/20	X. ± 0.50	 3rd Angle Projection	
		X.X ± 0.30		
		X.XX ± 0.20		
		X.XXX ± 0.10		
Not to Scale	Drawn By	CC	Sheet No.	2/4



Step 1







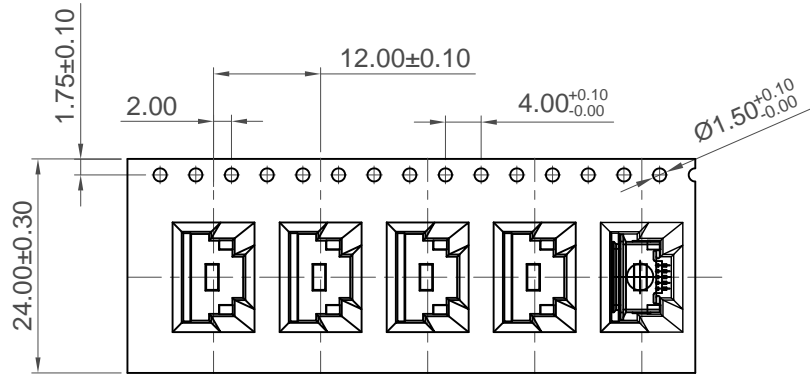
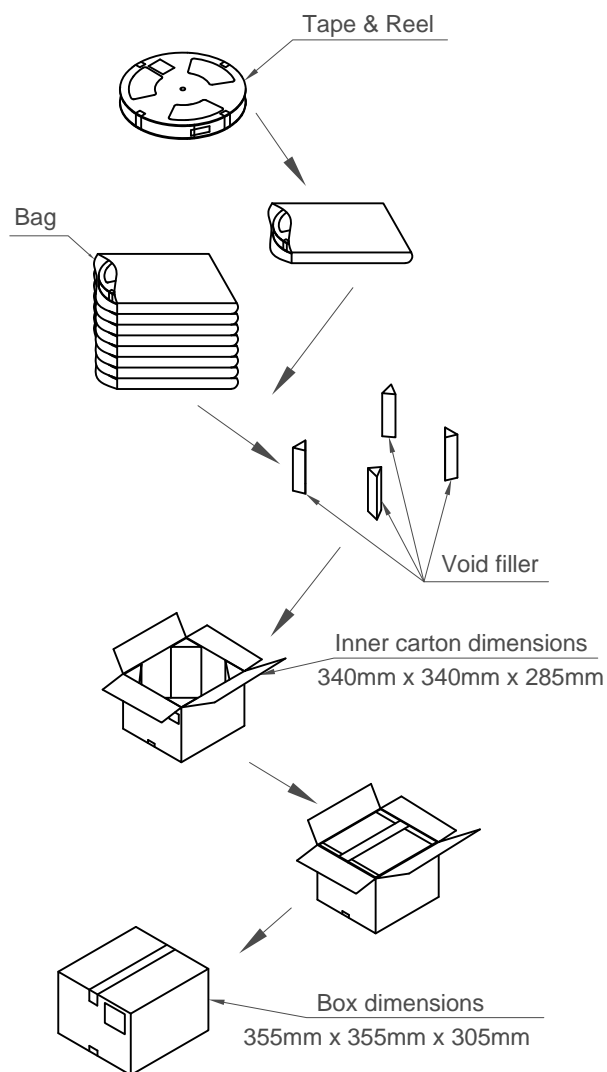
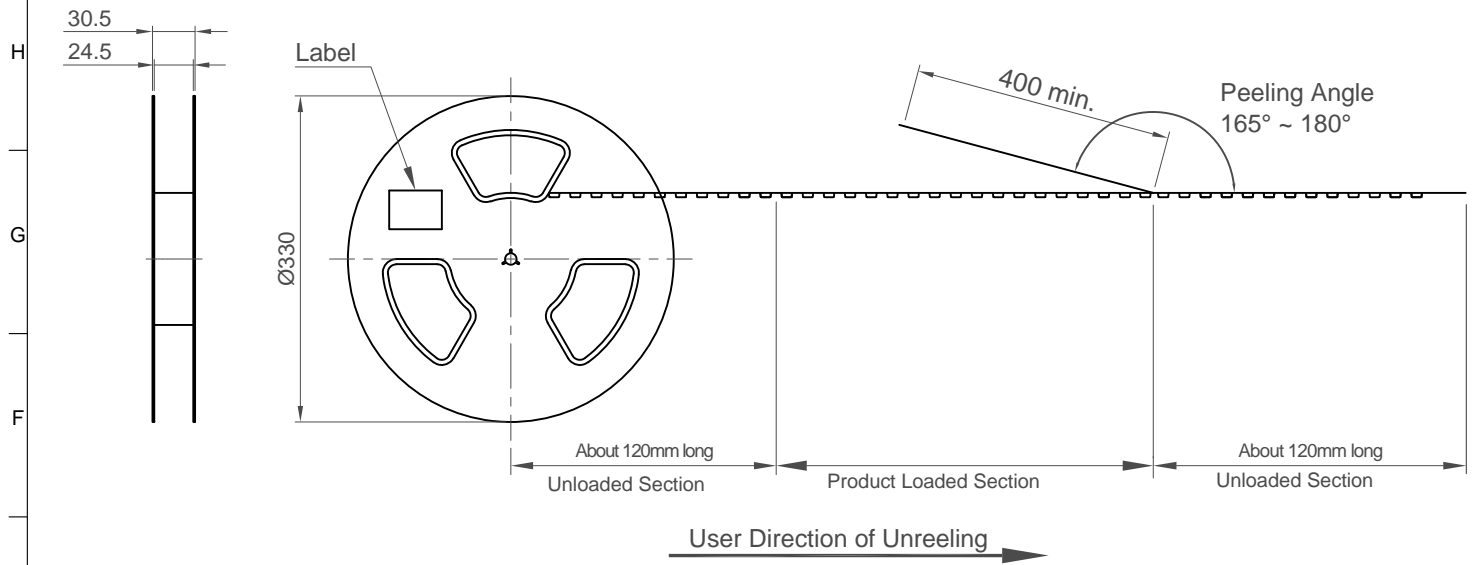
Step 2



Step 3

Assembly instruction for Gasket set after Reflow
Available for Micro USB Waterproof Series

Part Number		Product Description		 www.gct.co			
USB3505		Micro USB Type B Receptacle, Top-Mount, IP67					
Drawing Date		6th September 2019					
By		CC					
Detail	Drawing Release	Tolerances (Except as Noted)	Units:	  This drawing is confidential and copyright of Global Connector Technology, Ltd (GCT). This drawing must not be copied or disclosed without written consent. E & OE			
Revision	A4	Length	Angle				
Date	01/04/20						
		 3rd Angle Projection		<table border="1"> <tr> <td>Not to Scale</td> <td>Drawn By CC</td> <td>Sheet No. 3/4</td> </tr> </table>	Not to Scale	Drawn By CC	Sheet No. 3/4
Not to Scale	Drawn By CC	Sheet No. 3/4					



Pcs / Reel	Reels / Carton	Total Quantity
1000	9	9000

Notes:
 Peeling off force of top tape: 0.1-1.3N (Peeling direction as shown)

Materials:
 Carrier Tape: Polystyrene (PS)
 Top Tape: PE
 Reel Tape: Polystyrene (PS)
 Bag: PE

Part Number USB3505		Product Description Micro USB Type B Receptacle, Top-Mount, IP67			This drawing is confidential and copyright of Global Connector Technology, Ltd (GCT). This drawing must not be copied or disclosed without written consent. E & OE	
Drawing Date 6th September 2019		Units: Metric (mm)				
By CC	Tolerances (Except as Noted) Length Angle					
Detail Drawing Release						
Revision A4				Not to Scale	Drawn By CC	Sheet No. 4/4
Date 01/04/20						



X-ON Electronics

Largest Supplier of Electrical and Electronic Components

Click to view similar products for [USB Connectors](#) category:

Click to view products by [GCT](#) manufacturer:

Other Similar products are found below :

[65-647-8-BK-BU](#) [950](#) [952](#) [E8144-B01021-L](#) [A-USB B-TOP-C](#) [MUSBA511N5](#) [MUSBD11135](#) [217450-1](#) [KMBVX-TH-5S-B30](#) [896-30-004-00-000000](#) [KUSBVX-BS1N-W30](#) [KUSBX-AP-KIT-SCBLK](#) [KUSBX-AS2N-W](#) [KUSBX-SMT2AP1S-W](#) [KUSBX-SMT2AP1S-W30](#) [935](#) [957](#) [30-498-6](#) [17-210051](#) [1734082-1](#) [30-1574](#) [30-470](#) [30-489](#) [30-541](#) [30-572-3](#) [A-USB A-2P-C](#) [MIKROE-1451](#) [USBFTV2PEM2G](#) [USBFTVC6ZN](#) [KUSBX-AS2N-W30](#) [KUSBX-SLAS1N-W](#) [KUSBX-SMT-AS1N-W30](#) [4689-1](#) [1-1734084-2](#) [E8110-001-01](#) [33UBARS1-04SW11](#) [33UBAR-04SW11](#) [USBF21ZNSCC](#) [USBBFTV6ZC](#) [10135326-001LF](#) [USB-A-S-F-B-VT](#) [925](#) [4198](#) [690-024-633-031](#) [KUSBEX-BSFS1N-W](#) [USBFTVC6MRG](#) [UA-20BMFA-SL8001](#) [17-250101](#) [USBFTVC7ZC](#) [USBFTV75NF459](#)