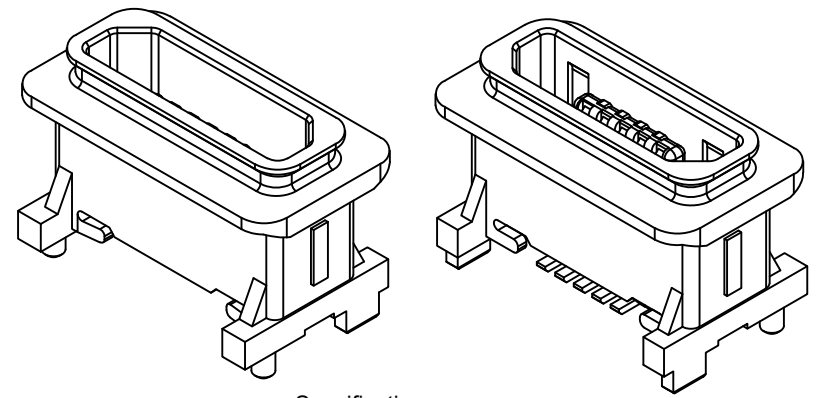


**Recommended PCB Layout**  
 As viewed from component side Tolerance: ±0.03mm  
 Recommended PCB Thickness: 0.80mm  
 [Hatched Box] Solder Area [Dashed Box] Component Outline



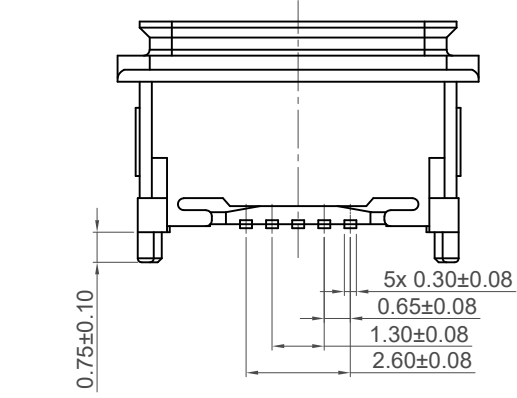
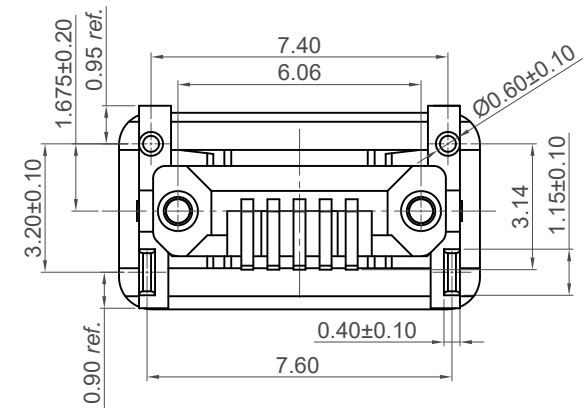
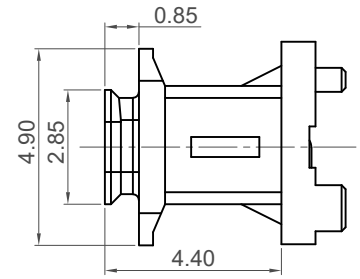
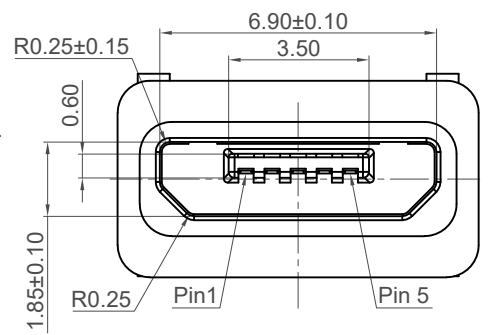
**Specifications**

**Material**  
 Insulator: High Temp. Plastic UL 94V-0, Black  
 Contact: Copper Alloy  
 Shell: Stainless Steel  
 Gasket: Silicone Rubber, Part No.: USBTJ-02B  
*(Gasket+Connector can be ordered separately or together as a KIT - USB3510-30-C-KIT)*

**Plating**  
 Terminal:  
 Contact area: 30µ" Gold  
 Soldering tails: Gold Flash  
 Underplating: 50µ" Min. Nickel  
 Shell: 50µ" Min. Nickel over all

**Electrical**  
 Current Rating: Signal (Pins 2,3,4): 1.0A  
 Power (Pins 1,5): 1.8A  
 Voltage Rating: 30V AC  
 Contact Resistance: 30mΩ max.  
 Dielectric Withstanding Voltage: 100V AC  
 Insulation Resistance 1000MΩ min

**Mechanical & Environmental**  
 Operating Temperature: -30°C to +85°C  
 Mating Force: 35N max.  
 Unmated Force: 8N min.  
 Durability: 10,000 cycles  
 Ingress Protection Rating: IP67



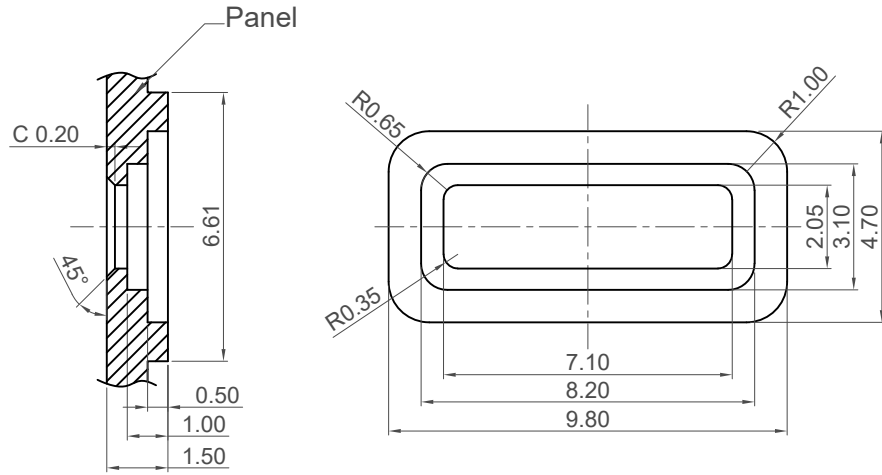
**Ordering Grid**  
**USB3510 - 30 - C** Request Samples and Quotation  
 Contact Plating: 30 = 30µ" Gold  
 Packing Options: C = Tape & Reel With Cap (700 per reel)

Part Number USB3510		Product Description Micro USB Type B Receptacle, Vertical, IP67	
Drawing Date 31st July 2023			
By	CC	Tolerances (Except as Noted)	Units:
Detail	Drawing Release	Length X. ± 0.50 X.X ± 0.30 X.XX ± 0.20 X.XXX ± 0.10	Metric (mm)
Revision	A	Angle	± 1°
Date	31/07/23	3rd Angle Projection	

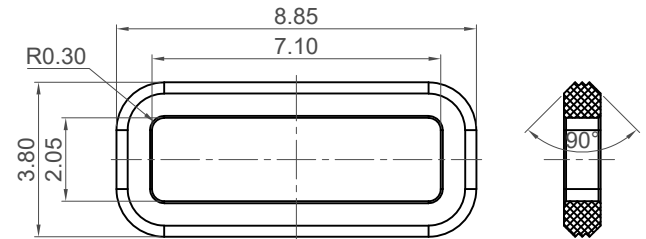
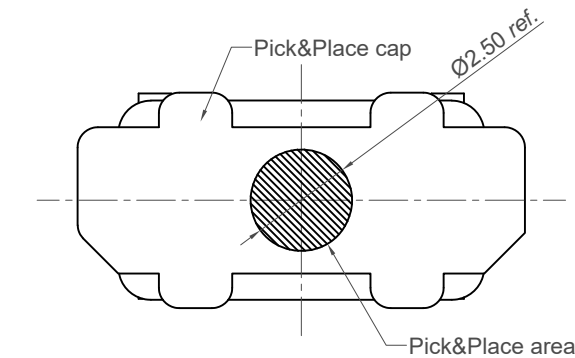
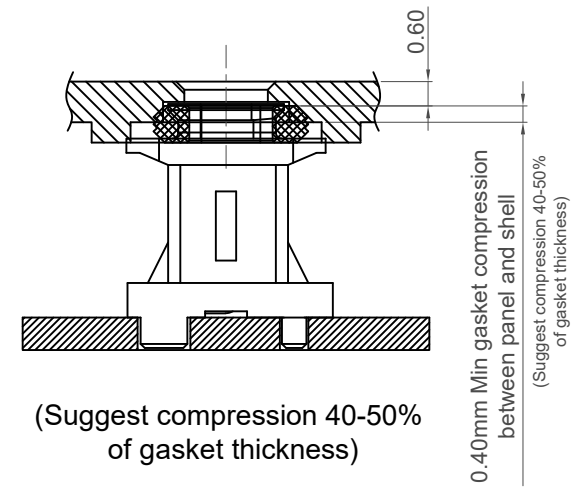
**RoHS COMPLIANT**  
 2011/65/EU  
 Deca-BIDE

© This drawing is confidential and copyright of Global Connector Technology, Ltd (GCT). This drawing must not be copied or disclosed without written consent. E & OE

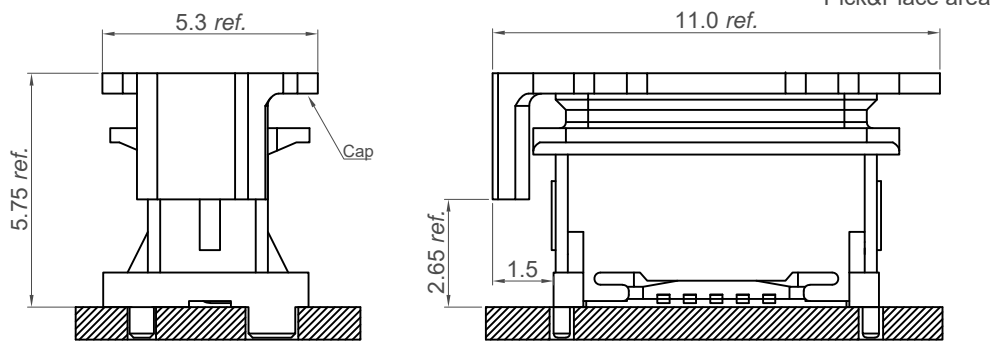
Not to Scale	Drawn By CC	Sheet No. 1/4	<b>GCT</b> www.gct.co
--------------	----------------	------------------	--------------------------



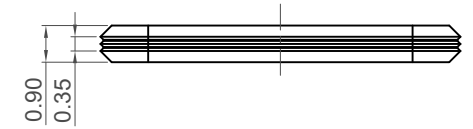
**Recommended Panel Spec**  
Tolerance:  $\pm 0.05\text{mm}$




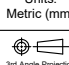
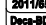

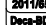


**Recommended Waterproof Gasket Spec**  
Gasket Part No.: USBTJ-02B  
(Gasket+Connector can be ordered separately or together as a KIT - USB3510-30-C-KIT)  
(See separated datasheet for specification)



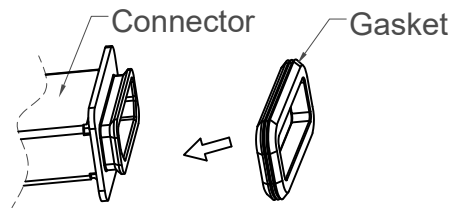
**PCB Mount & Cap Information**



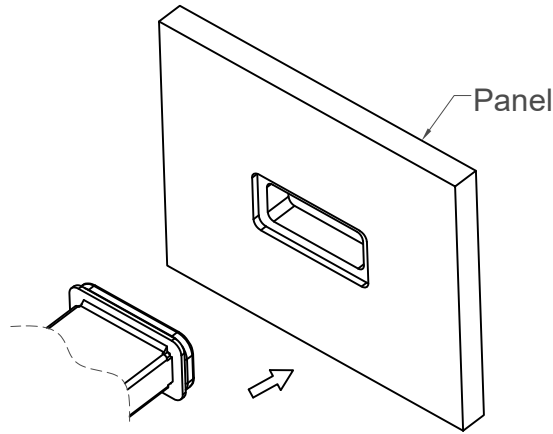
Part Number		Product Description			 This drawing is confidential and copyright of Global Connector Technology, Ltd (GCT). This drawing must not be copied or disclosed without written consent. E & OE	 www.gct.co
USB3510		Micro USB Type B Receptacle, Vertical, IP67				
Drawing Date		31st July 2023				
By	CC	Tolerances (Except as Noted)	Units:			Not to Scale
Detail	Drawing Release	Length	Metric (mm)			
Revision	A	Angle				
Date	31/07/23	$X \pm 0.50$ $XX \pm 0.30$ $XXX \pm 0.20$ $XXX \pm 0.10$	$\pm 1^\circ$			
						Drawn By CC
						Sheet No. 2/4

H  
G  
F  
E  
D  
C  
B  
A

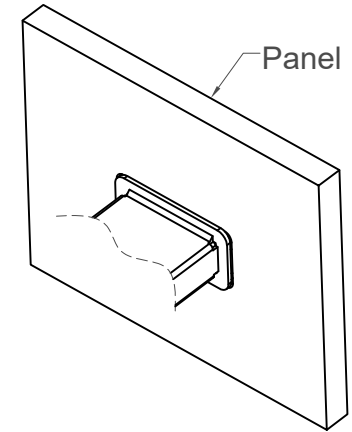
1 2 3 4 5 6 7 8



Step 1




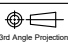


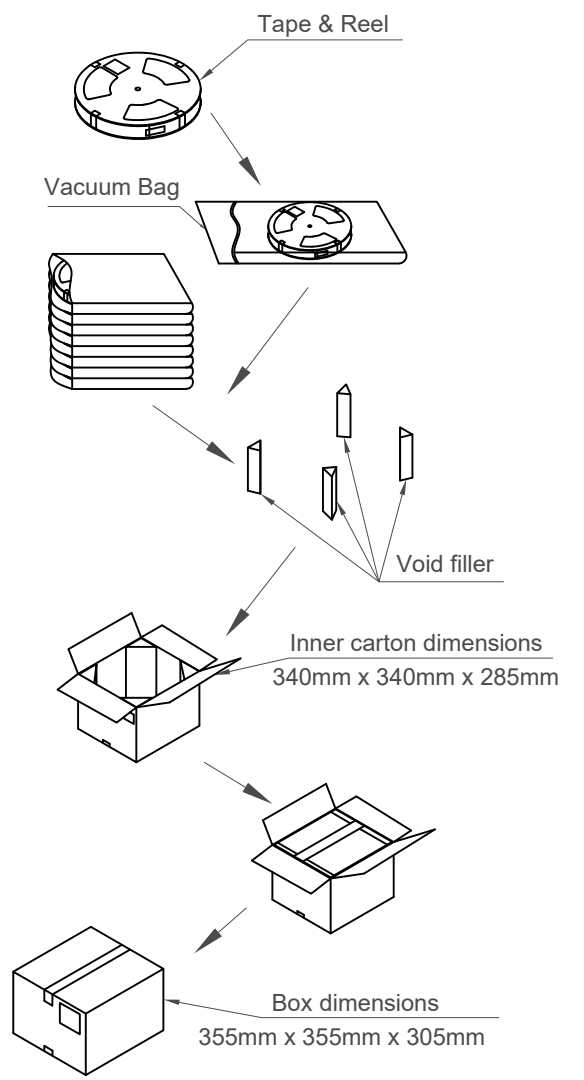
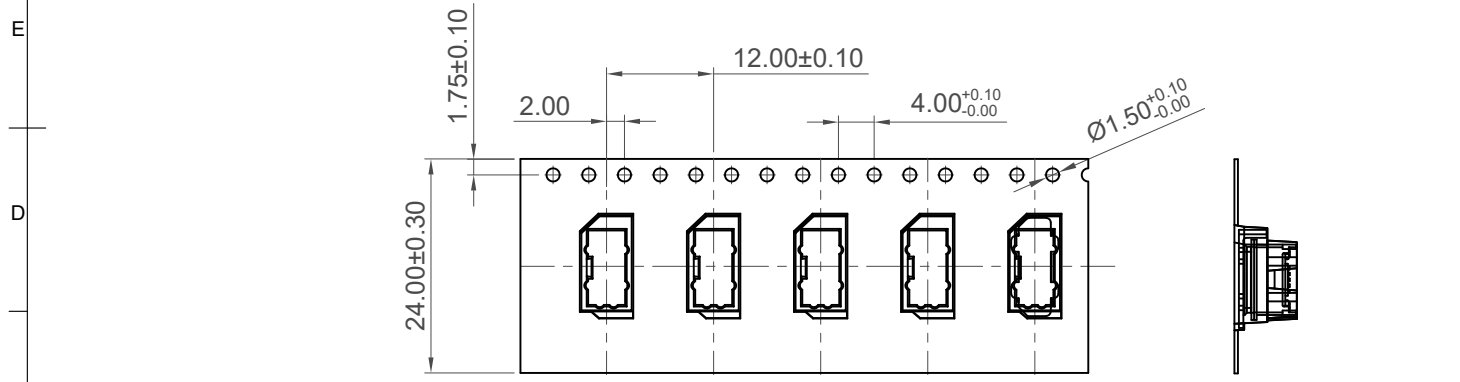
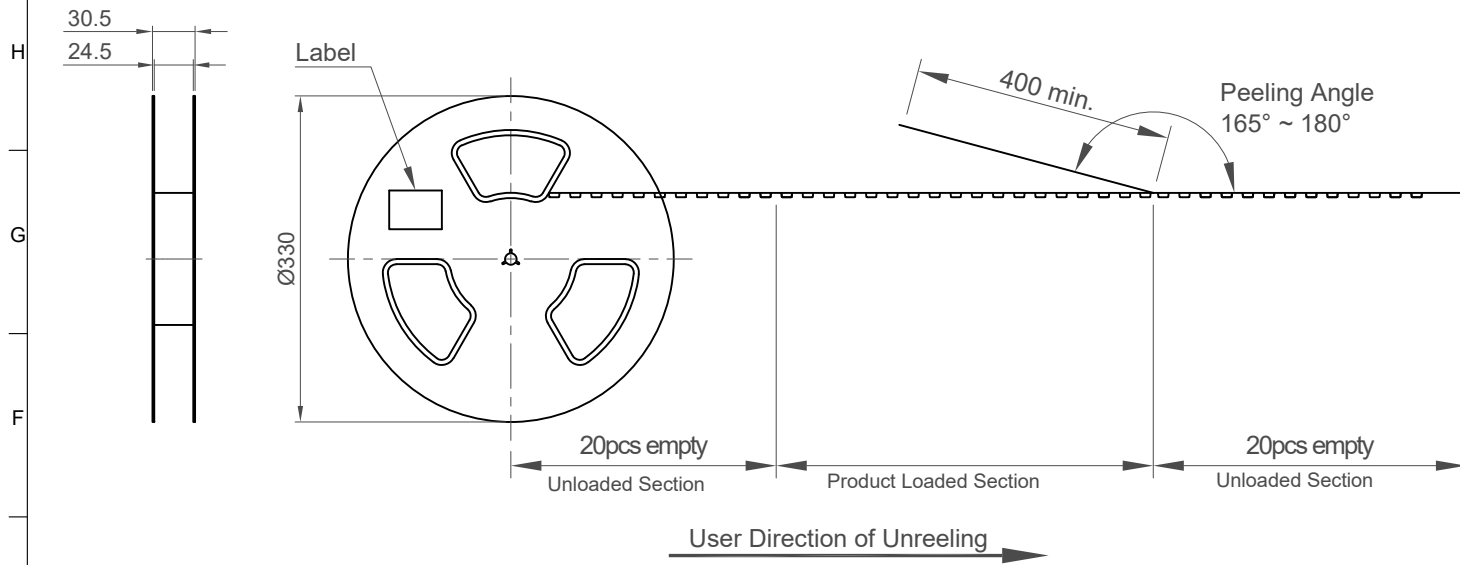
Step 2



Step 3

Assembly instruction for Gasket set after Reflow  
Available for Micro USB Waterproof Series

Part Number		Product Description		 <a href="http://www.gct.co">www.gct.co</a>
USB3510		Micro USB Type B Receptacle, Vertical, IP67		
Drawing Date		31st July 2023		
By	CC	Tolerances (Except as Noted)	Units:	  <small>This drawing is confidential and copyright of Global Connector Technology, Ltd (GCT). This drawing must not be copied or disclosed without written consent. E &amp; OE</small>
Detail	Drawing Release	Length X. ± 0.50 X.X ± 0.30 X.XX ± 0.20 X.XXX ± 0.10	Metric (mm)	
Revision	A	Angle ± 1°	 <small>3rd Angle Projection</small>	
Date	31/07/23			
Not to Scale	Drawn By CC			Sheet No. 3/4



Pcs / Reel	Reels / Carton	Total Quantity
700	9	6300

Notes:  
Peeling off force of top tape: 0.1-1.3N (Peeling direction as shown)

Materials:  
Carrier Tape: Polystyrene (PS)  
Top Tape: PE  
Reel Tape: Polystyrene (PS)  
Bag: PE

Part Number USB3510		Product Description Micro USB Type B Receptacle, Vertical, IP67	
Drawing Date 31st July 2023			
By CC	Tolerances (Except as Noted) Length	Units: Metric (mm)	
Detail Drawing Release	Angle	3rd Angle Projection	
Revision A			
Date 31/07/23			
		This drawing is confidential and copyright of Global Connector Technology, Ltd (GCT). This drawing must not be copied or disclosed without written consent. E & OE	
		<a href="http://www.gct.co">www.gct.co</a>	
		Not to Scale	Drawn By CC
		Sheet No. 4/4	

## X-ON Electronics

Largest Supplier of Electrical and Electronic Components

*Click to view similar products for [USB Connectors](#) category:*

*Click to view products by [GCT](#) manufacturer:*

Other Similar products are found below :

[950](#) [A-USB A-LP-SMT-C](#) [A-USB B-TOP-C](#) [MUSBD11135](#) [17-200721](#) [217450-1](#) [KMBVX-TH-5S-B30](#) [KUSBX-AS2N-W](#) [KUSBX-SMT2AP1S-W30](#) [935](#) [957](#) [30-498-6](#) [SK-60A-2](#) [1734082-1](#) [30-470](#) [30-489](#) [30-541](#) [MIKROE-1451](#) [USBFTVSCCG](#) [1-1734084-2](#) [10135326-001LF](#) [USB3FTV7APEG](#) [4198](#) [1310-1023-02](#) [690-024-633-031](#) [UB-20PMFP-LC7001](#) [17-200011](#) [UB-20AFMM-LL7A01](#) [1040870124](#) [CAP-WCCMLPB1](#) [2274475-3](#) [UB-20BMFA-SL8001](#) [UB-20BFM-SA7A02](#) [UB-20BFM-SA7A05](#) [914-614A2025S10200](#) [MUSBR-AHD2-M41-SK](#) [ZX40-B-5S-1500-STDA\(30\)](#) [GSB3116344HR](#) [USB3FTV2SAZNF459](#) [USBF21GSCC](#) [U221-041N-1WVS62-F5D](#) [HYCW153-USBD05-500B](#) [HYCW219-USBD05-075B](#) [HYCW148-USBD05-117B](#) [HYCW149-USBD05-740B](#) [HYCW204-USBD05-108B](#) [HYCW214-USBA04-113B](#) [HYCW213-USBA04-113B](#) [UB-20AMFM-SL7A01](#) [KMMX-BSMT35S-1-B30TR](#)