

### Specifications

#### Material

Insulator: LCP, UL 94V-0, Black  
 Contact: Copper Alloy (C1814)  
 Mid Plate: Stainless Steel (SUS301)  
 EMI Plate: Stainless Steel (SUS301)  
 Shell: Stainless Steel (SUS304)

#### Plating

Terminal:  
 Contact Area: 3µ" Gold over 50µ" min. Nickel  
 Soldering Tails: Gold Flash over 50µ" min. Nickel  
 Shell: Nickel  
 Mid Plate: Cleaning  
 EMI Plate: Cleaning

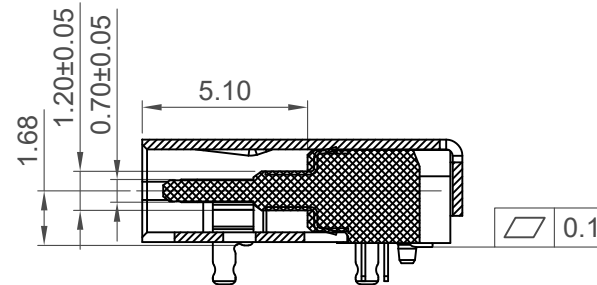
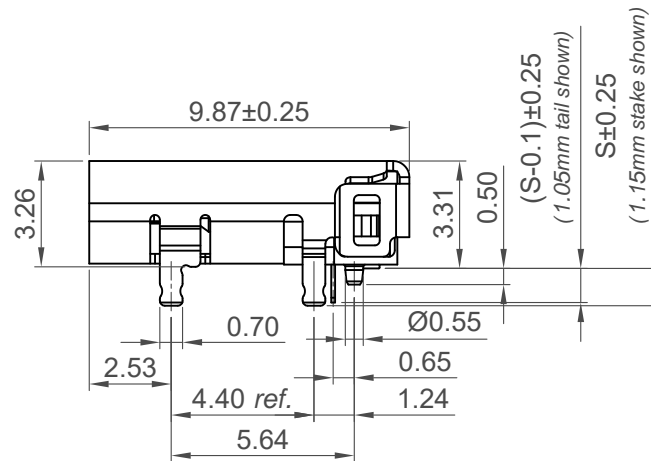
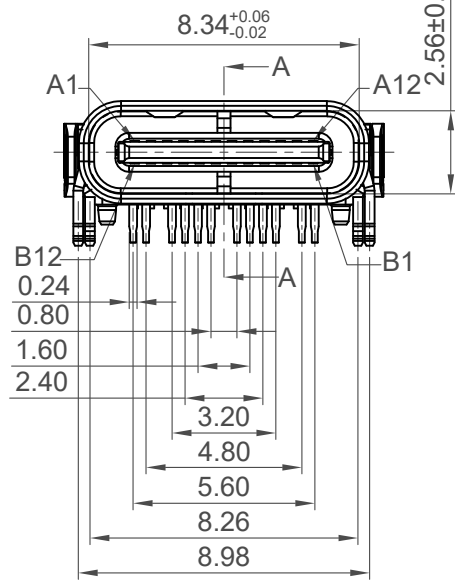
#### Electrical

Current Rating: 5.00A collectively for VBus pins  
 6.25A collectively for GND pins  
 1.25A for B5 pin  
 0.25A per pin for all other pins

Voltage Rating: 20V DC  
 Contact Resistance: 40mΩ max initial.  
 50mΩ max after test  
 Dielectric Withstanding Voltage: 100V AC  
 Insulation Resistance 100MΩ min

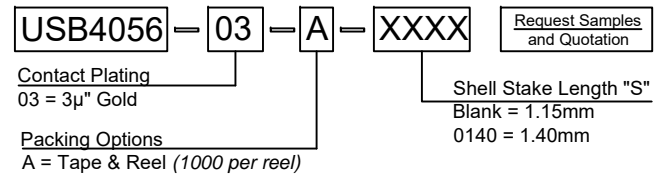
#### Mechanical & Environmental

Operating Temperature: -25°C to +85°C  
 Mating Force: 5 to 20 N.  
 Unmated Force: 6 to 20 N after test  
 Durability: 10,000 cycles



Section: A-A

#### Ordering Grid



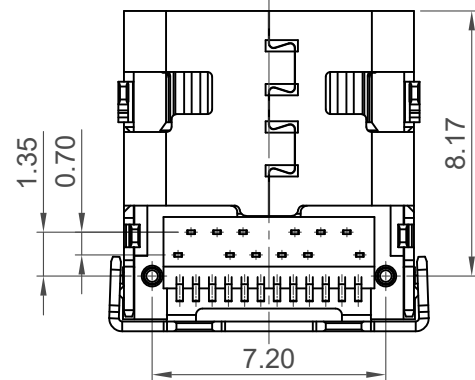
#### Contact Plating

03 = 3µ" Gold

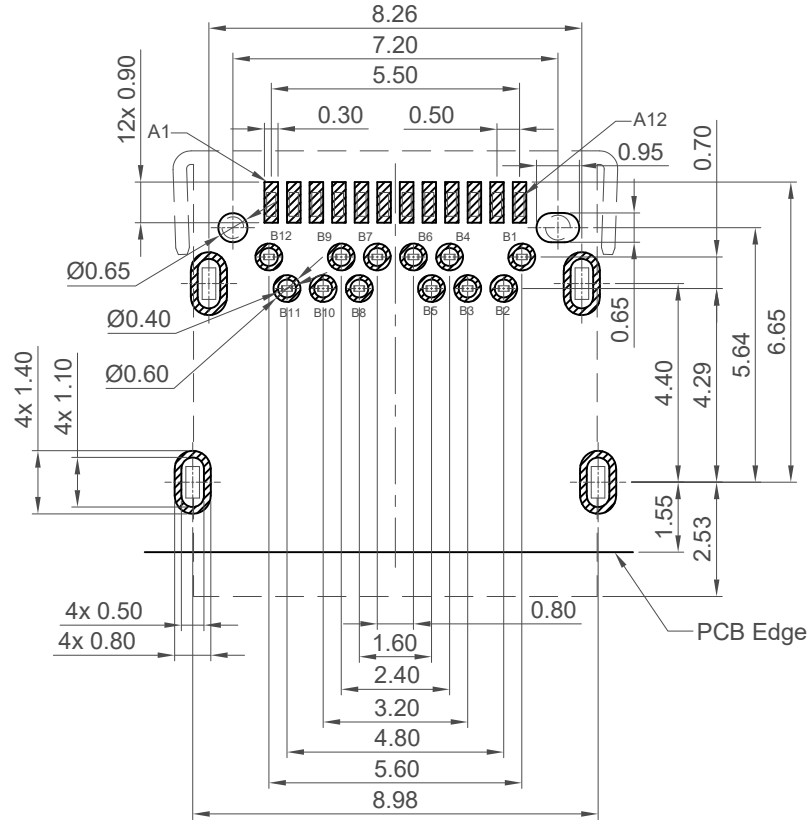
#### Packing Options

A = Tape & Reel (1000 per reel)

Shell Stake Length "S"  
 Blank = 1.15mm  
 0140 = 1.40mm



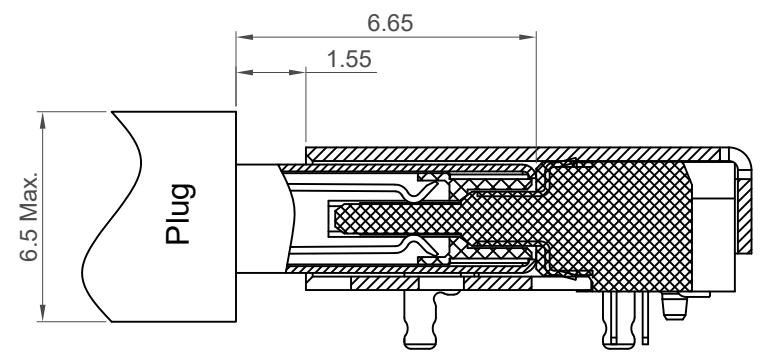
Part Number		Product Description			This drawing is confidential and copyright of Global Connector Technology, Ltd (GCT). This drawing must not be copied or disclosed without written consent. E & OE	 www.gct.co
USB4056		USB3.2 Gen 2 Type C Receptacle, Horizontal, Hybrid type, PCB Top Mount.				
Drawing Date		22nd April 2021				
By	CC	Tolerances (Except as Noted)	Units:			
Detail	Drawing Release	Length	Metric (mm)			
Revision	A2	Angle				
Date	05/08/21	X.X ± 0.30				
		X.XX ± 0.25				
		X.XXX ± 0.10				
Not to Scale	Drawn By	CC	Sheet No.			
			1/3			



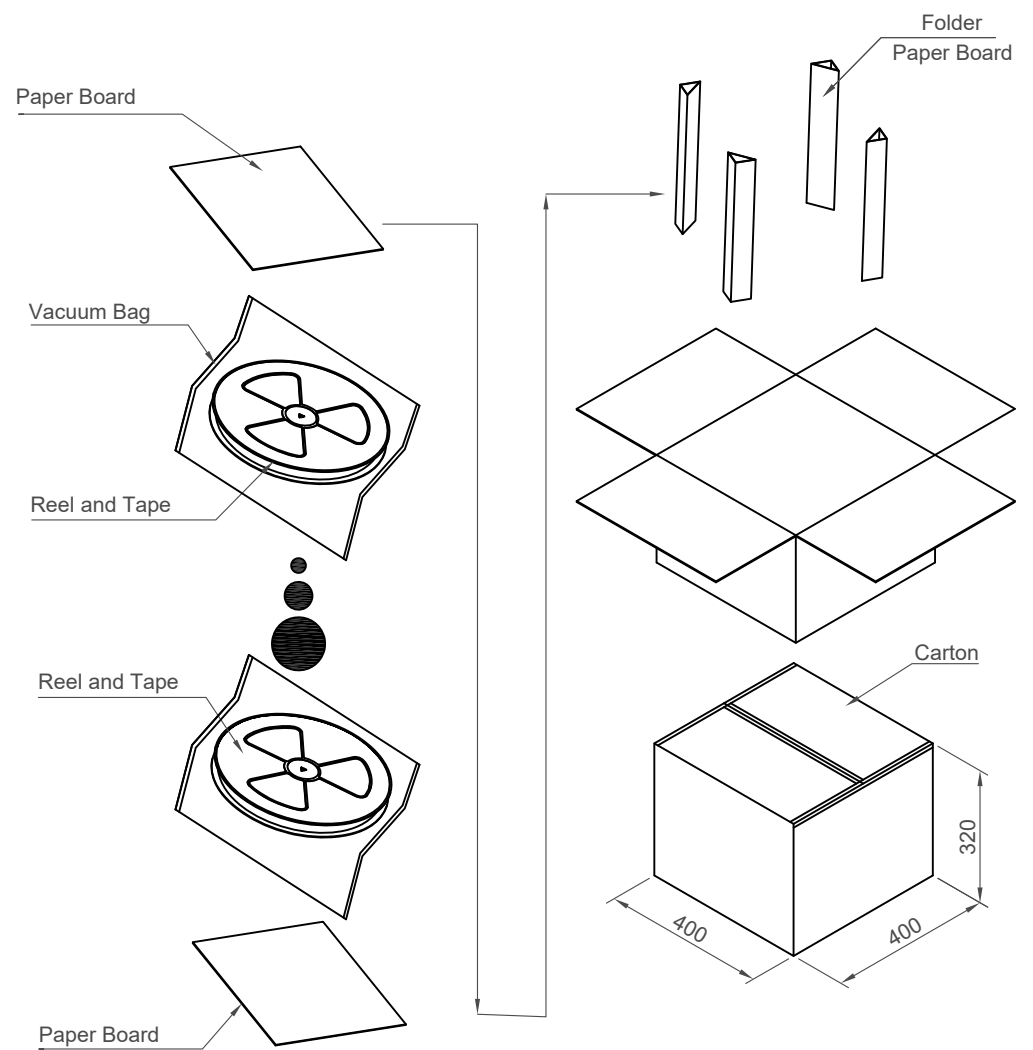
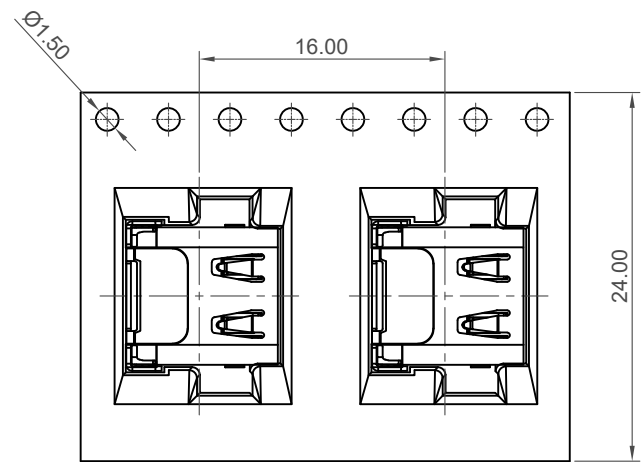
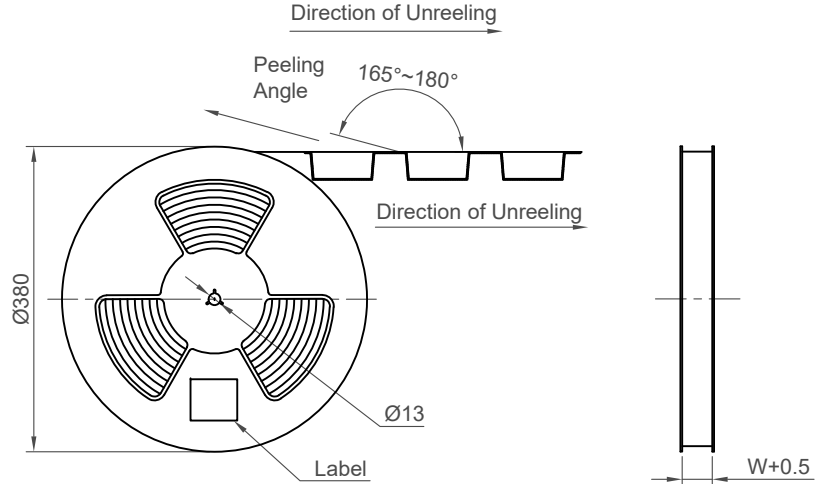
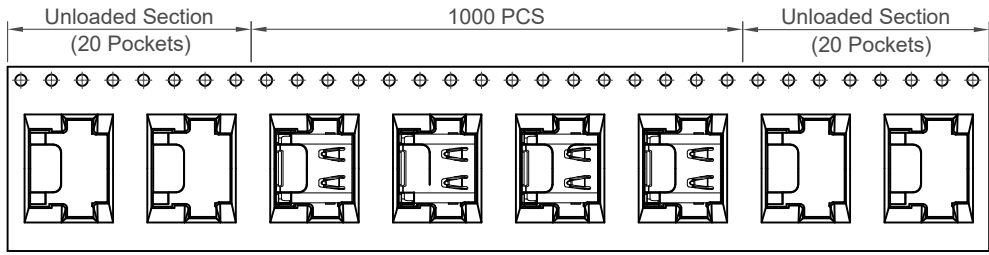
**Recommended PCB Layout**  
 Thickness 1.00 to 1.20mm  
 Tolerance: ±0.05mm

Solder Area   
 Component Outline

Pin	Signal	Mating Sequence	Pin	Signal	Mating Sequence
A1	GND	First	B12	GND	First
A2	SSTXp1	Second	B11	SSRXp1	Second
A3	SSTXn1	Second	B10	SSRXn1	Second
A4	VBUS	First	B9	VBUS	First
A5	CC1	Second	B8	SBU2	Second
A6	Dp1	Second	B7	Dn2	Second
A7	Dn1	Second	B6	Dp2	Second
A8	SBU1	Second	B5	CC2	Second
A9	VBUS	First	B4	VBUS	First
A10	SSRXn2	Second	B3	SSTXn2	Second
A11	SSRXp2	Second	B2	SSTXp2	Second
A12	GND	First	B1	GND	First
SHELL		GND	SHELL		GND



Part Number USB4056		Product Description USB3.2 Gen 2 Type C Receptacle, Horizontal, Hybrid type, PCB Top Mount.		<b>GCT</b> <a href="http://www.gct.co">www.gct.co</a>
Drawing Date 22nd April 2021				
By CC	Detail Drawing Release	Tolerances (Except as Noted) Length X.X ± 0.30 X.XX ± 0.25 X.XXX ± 0.10	Units: Metric (mm)	
Revision A2	Date 05/08/21	Angle -	3rd Angle Projection	<b>RoHS COMPLIANT 2011/65/EU</b> <b>Deca-SIDE</b>
This drawing is confidential and copyright of Global Connector Technology, Ltd (GCT). This drawing must not be copied or disclosed without written consent. E & OE				Not to Scale Drawn By CC Sheet No. 2/3



Pcs / Reel	Reels / Carton	Total Quantity
1000	10	10,000 pcs

Part Number		Product Description	
USB4056		USB3.2 Gen 2 Type C Receptacle, Horizontal, Hybrid type, PCB Top Mount.	
Drawing Date		22nd April 2021	
By	CC	Tolerances (Except as Noted)	Units:
Detail	Drawing Release	Length	Metric (mm)
Revision	A2	X.X ± 0.30	 3rd Angle Projection
Date	05/08/21	X.XX ± 0.25	
		X.XXX ± 0.10	



This drawing is confidential and copyright of Global Connector Technology, Ltd (GCT). This drawing must not be copied or disclosed without written consent. E & OE



Not to Scale	Drawn By CC	Sheet No. 3/3
--------------	-------------	---------------

## X-ON Electronics

Largest Supplier of Electrical and Electronic Components

*Click to view similar products for [USB Connectors](#) category:*

*Click to view products by [GCT](#) manufacturer:*

Other Similar products are found below :

[65-647-8-BK-BU](#) [950](#) [952](#) [E8144-B01021-L](#) [A-USB B-TOP-C](#) [MUSBA511N5](#) [MUSBD11135](#) [217450-1](#) [KMBVX-TH-5S-B30](#) [896-30-004-00-000000](#) [KUSBVX-BS1N-W30](#) [KUSBX-AP-KIT-SCBLK](#) [KUSBX-AS2N-W](#) [KUSBX-SMT2AP1S-W](#) [KUSBX-SMT2AP1S-W30](#) [935](#) [957](#) [30-498-6](#) [17-210051](#) [1734082-1](#) [30-1574](#) [30-470](#) [30-489](#) [30-541](#) [30-572-3](#) [A-USB A-2P-C](#) [MIKROE-1451](#) [USBFTV2PEM2G](#) [USBFTVC6ZN](#) [KUSBX-AS2N-W30](#) [KUSBX-SLAS1N-W](#) [KUSBX-SMT-AS1N-W30](#) [4689-1](#) [1-1734084-2](#) [E8110-001-01](#) [33UBARS1-04SW11](#) [33UBAR-04SW11](#) [USBF21ZNSCC](#) [USBBFTV6ZC](#) [10135326-001LF](#) [USB-A-S-F-B-VT](#) [925](#) [4198](#) [690-024-633-031](#) [KUSBEX-BSFS1N-W](#) [USBFTVC6MRG](#) [UA-20BMFA-SL8001](#) [17-250101](#) [USBFTVC7ZC](#) [USBFTV75NF459](#)