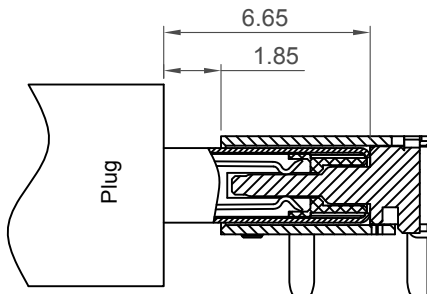
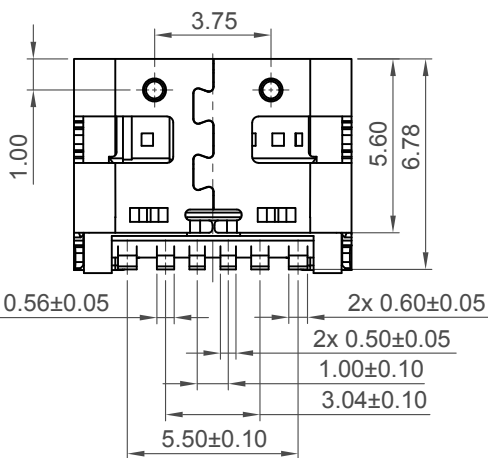
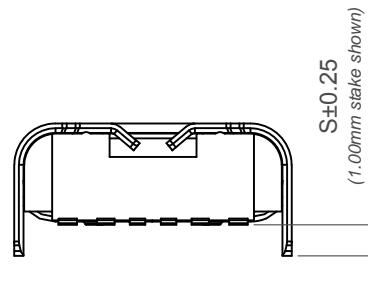
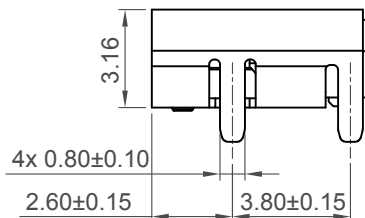
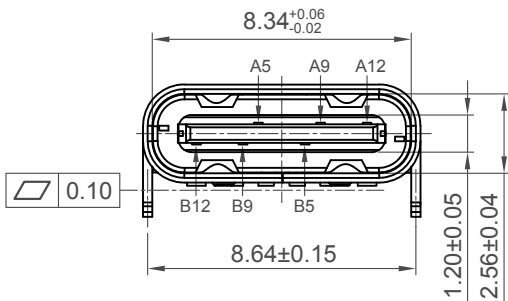


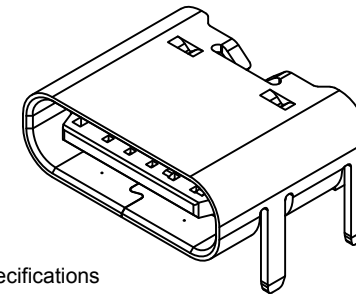
Recommended PCB Layout
Thickness 1.00±0.10mm
Tolerance: ±0.05mm

▨ Solder Area □ Component Outline



Plug and Receptacle Mating View

Pin	Signal	Mating Sequence
A5	CC1	Second
A9	Vbus	First
A12	GND	First
B5	CC2	Second
B9	Vbus	First
B12	GND	First
SHELL	GND	



Specifications

Material

Insulator: LCP, UL 94V-0, Black
Contact: Copper Alloy
Shell: Stainless Steel

Plating

Contact
Contact Area: Gold Flash
Solder Tails: 80u" min. Matte Tin over Nickel
Shell: 50u" min. Nickel

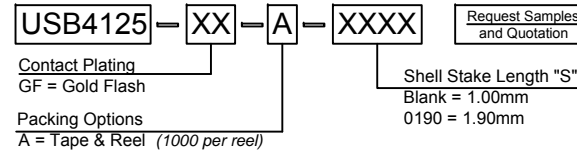
Electrical

Current Rating: 3.00A collectively for Vbus pins
4.25A collectively for GND pins
1.25A for B5 pin
0.25A for A5 pin
Voltage Rating: 20V DC
Contact Resistance: 40mΩ max initial.
50mΩ max after test
Dielectric Withstanding Voltage: 100V AC
Insulation Resistance 100MΩ min

Mechanical & Environmental

Operating Temperature: -30°C to +85°C
Mating Force: 5 to 20 N.
Unmated Force: 6 to 20 N after test
Durability: 20,000 cycles

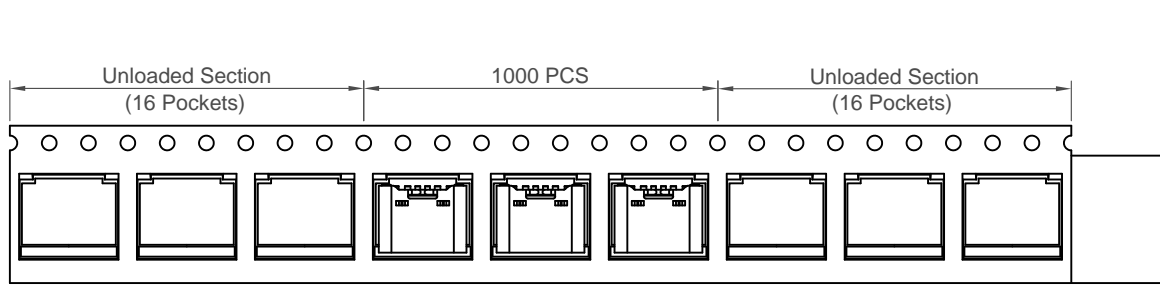
Ordering Grid



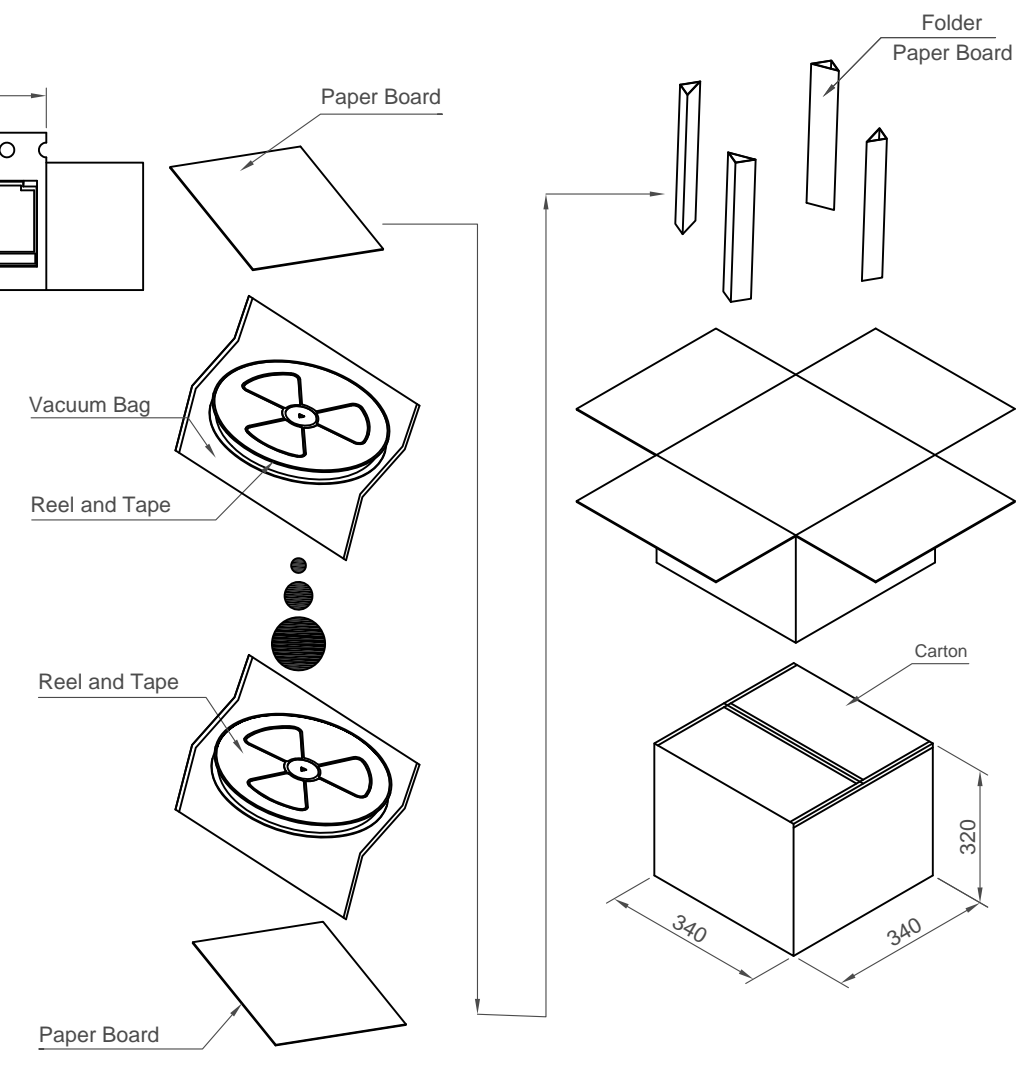
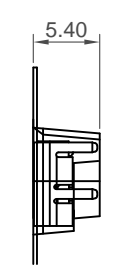
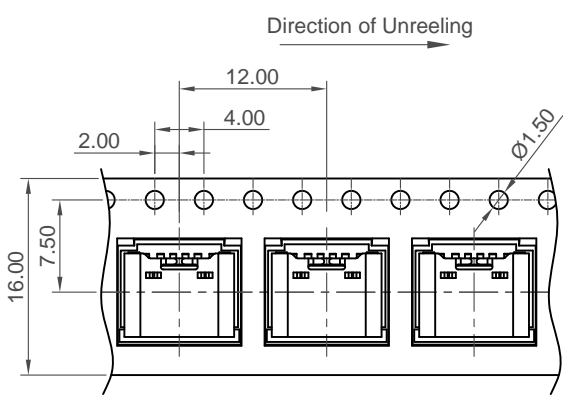
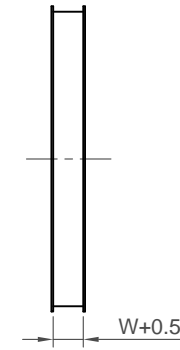
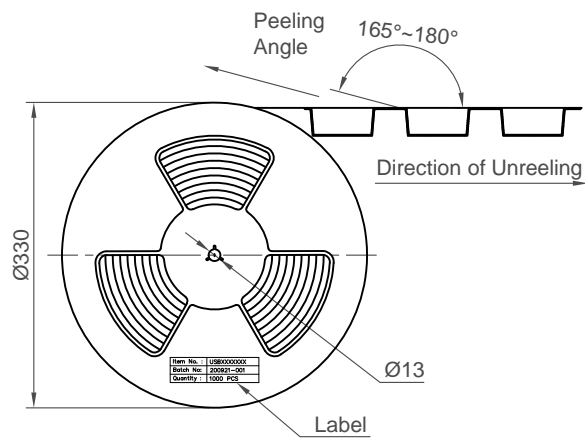
Part Number		Product Description	
USB4125		Type C Receptacle, Horizontal, SMT, For Power Charging Only	
Drawing Date		28th September 2020	
By	CC	Tolerances (Except as Noted)	Units:
Detail	Drawing Release	Length	Metric (mm)
Revision	A2	X.X ± 0.30	
Date	30/04/21	X.XX ± 0.25	
		X.XXX ± 0.10	



Not to Scale	Drawn By CC	Sheet No. 1/2
--------------	-------------	---------------



Direction of Unreeling →



Pcs / Reel	Reels / Carton	Total Quantity
1000	13	13,000 pcs

Part Number		Product Description	
USB4125		Type C Receptacle, Horizontal, SMT, For Power Charging Only	
Drawing Date		28th September 2020	
By	CC	Tolerances (Except as Noted)	Units:
Detail	Drawing Release	Length	Metric (mm)
Revision	A2	Angle	
Date	30/04/21		



This drawing is confidential and copyright of Global Connector Technology, Ltd (GCT). This drawing must not be copied or disclosed without written consent. E & OE



Not to Scale	Drawn By CC	Sheet No. 2/2
--------------	-------------	---------------

H
G
F
E
D
C
B
A

1 2 3 4 5 6 7 8

X-ON Electronics

Largest Supplier of Electrical and Electronic Components

Click to view similar products for [USB Connectors](#) category:

Click to view products by [GCT](#) manufacturer:

Other Similar products are found below :

[65-647-8-BK-BU](#) [950](#) [952](#) [E8144-B01021-L](#) [A-USB B-TOP-C](#) [MUSBA511N5](#) [MUSBD11135](#) [217450-1](#) [KMBVX-TH-5S-B30](#) [896-30-004-00-000000](#) [KUSBVX-BS1N-W30](#) [KUSBX-AP-KIT-SCBLK](#) [KUSBX-AS2N-W](#) [KUSBX-SMT2AP1S-W](#) [KUSBX-SMT2AP1S-W30](#) [935](#) [957](#) [30-498-6](#) [17-210051](#) [1734082-1](#) [30-1574](#) [30-470](#) [30-489](#) [30-541](#) [30-572-3](#) [A-USB A-2P-C](#) [MIKROE-1451](#) [USBFTV2PEM2G](#) [USBFTVC6ZN](#) [KUSBX-AS2N-W30](#) [KUSBX-SLAS1N-W](#) [KUSBX-SMT-AS1N-W30](#) [4689-1](#) [1-1734084-2](#) [E8110-001-01](#) [33UBARS1-04SW11](#) [33UBAR-04SW11](#) [USBF21ZNSCC](#) [USBBFTV6ZC](#) [10135326-001LF](#) [USB-A-S-F-B-VT](#) [925](#) [4198](#) [690-024-633-031](#) [KUSBEX-BSFS1N-W](#) [USBFTVC6MRG](#) [UA-20BMFA-SL8001](#) [17-250101](#) [USBFTVC7ZC](#) [USBFTV75NF459](#)