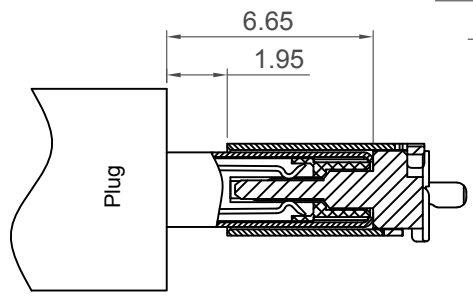
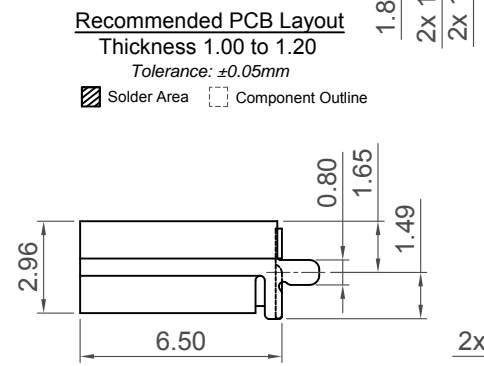
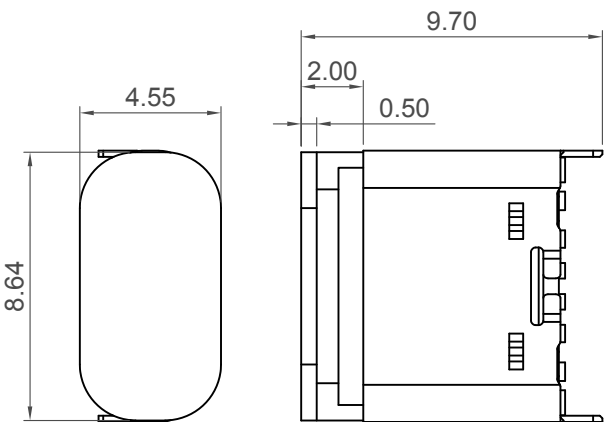


Recommended PCB Layout
Thickness 1.00 to 1.20
Tolerance: ±0.05mm

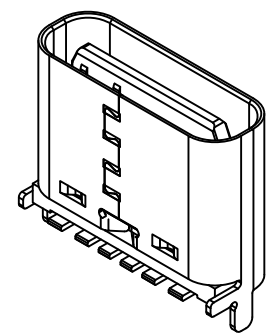
■ Solder Area □ Component Outline



Plug and Receptacle Mating View



Cap Information



Specifications

Material
Insulator: LCP, UL 94V-0, Black
Contact: Copper Alloy
Shell: Stainless Steel
Middle Plate: Stainless Steel

Plating
Contact
Contact Area: Gold Flash
Solder Tails: 80u" min. Matte Tin over Nickel
Shell: 50u" min. Nickel
Middle Plate: Cleaning

Electrical
Current Rating: 3.00A collectively for Vbus pins
4.25A collectively for GND pins
1.25A for B5 pin
0.25A for A5 pin
Voltage Rating: 20V DC
Contact Resistance: 40mΩ max initial.
50mΩ max after test
Dielectric Withstanding Voltage: 100V AC
Insulation Resistance 100MΩ min

Mechanical & Environmental
Operating Temperature: -30°C to +85°C
Mating Force: 5 to 20 N.
Unmated Force: 6 to 20 N after test
Durability: 10,000 cycles

Pin	Signal	Mating Sequence
A5	CC1	Second
A9	Vbus	First
A12	GND	First
B5	CC2	Second
B9	Vbus	First
B12	GND	First
SHELL		GND

Ordering Grid
USB4130 = **GF** = **C** Request Samples and Quotation
 Contact Plating: GF = Gold Flash
 Packing Options: C = Tape & Reel With Cap (600 per reel)

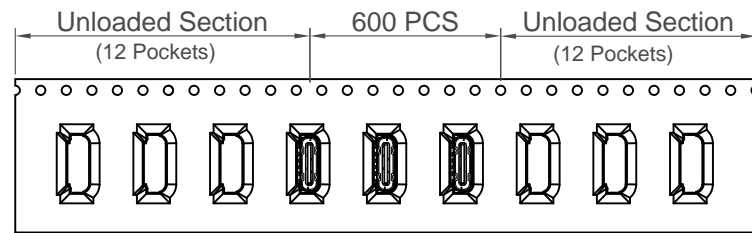
Part Number		Product Description	
USB4130		USB Type C Receptacle, Vertical, SMT, For Power charging only	
Drawing Date		26th November 2020	
By	CC	Tolerances (Except as Noted)	Units:
Detail	Drawing Release	Length	Metric (mm)
Revision	A	Angle	
Date	01/12/20	X.X ± 0.30	
		X.XX ± 0.25	
		X.XXX ± 0.10	



This drawing is confidential and copyright of Global Connector Technology, Ltd (GCT). This drawing must not be copied or disclosed without written consent. E & OE

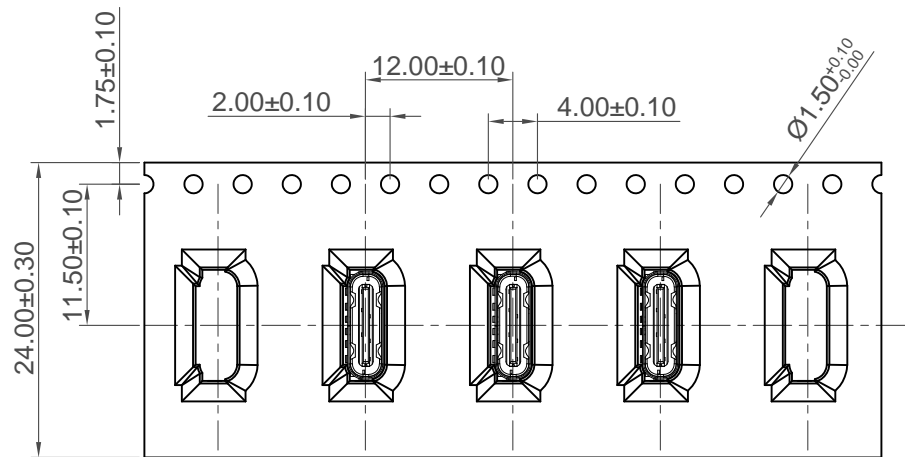
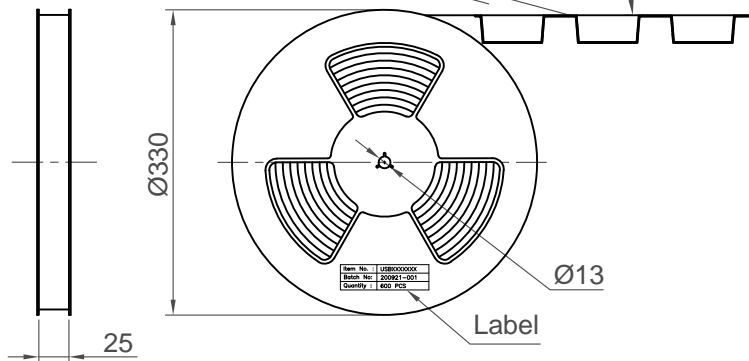


Not to Scale	Drawn By CC	Sheet No. 1/2
--------------	-------------	---------------

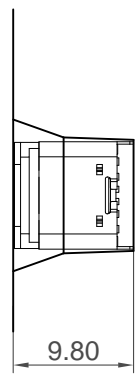


Direction of Unreeling

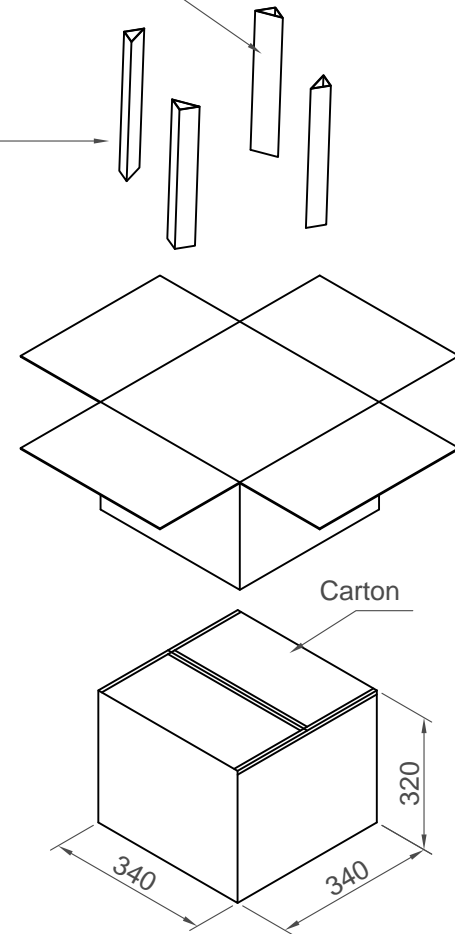
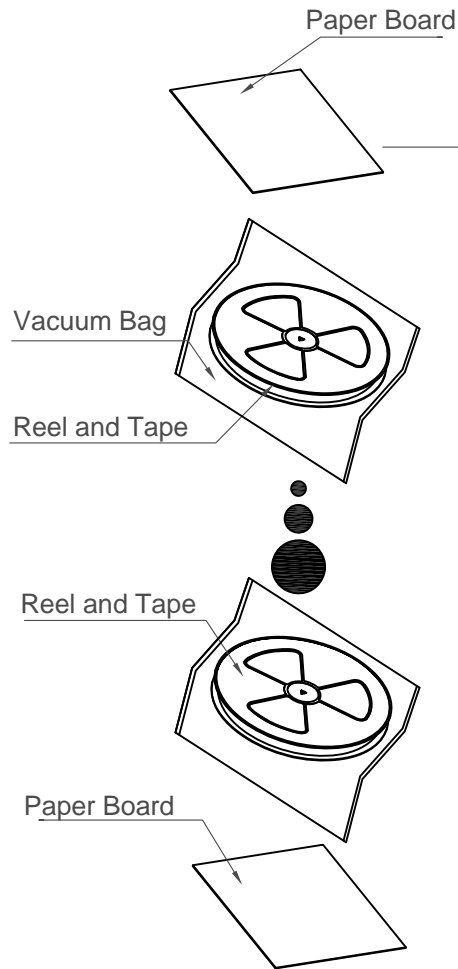
Peeling Angle 165°~180°



Direction of Unreeling



Folder Paper Board



Pcs / Reel	Reels / Carton	Total Quantity
600	10	6,000 pcs

Part Number		Product Description	
USB4130		USB Type C Receptacle, Vertical, SMT, For Power charging only	
Drawing Date		20th November 2020	
By	CC	Tolerances (Except as Noted)	Units:
Detail	Drawing Release	Length	Metric (mm)
Revision	A	Angle	
Date	01/12/20		



This drawing is confidential and copyright of Global Connector Technology, Ltd (GCT). This drawing must not be copied or disclosed without written consent. E & OE



Not to Scale | Drawn By CC | Sheet No. 2/2

X-ON Electronics

Largest Supplier of Electrical and Electronic Components

Click to view similar products for [USB Connectors](#) category:

Click to view products by [GCT](#) manufacturer:

Other Similar products are found below :

[950](#) [A-USB A-LP-SMT-C](#) [A-USB B-TOP-C](#) [MUSBA511N5](#) [MUSBD11135](#) [217450-1](#) [KMBVX-TH-5S-B30](#) [896-30-004-00-000000](#)
[KUSBX-AS2N-W](#) [KUSBX-SMT2AP1S-W30](#) [935](#) [957](#) [30-498-6](#) [SK-60A-2](#) [1734082-1](#) [CIR08AF-20-27S-F80-20](#) [CIR08F-20](#) [30-1574](#) [30-470](#) [30-489](#) [30-541](#) [30-572-3](#) [A-USB A-2P-C](#) [MIKROE-1451](#) [USBFTV2PEM2G](#) [USBFTVC6ZN](#) [USBFTVSCCG](#) [4689-1](#) [1-1734084-2](#)
[CIR08F-20-27P-F80-VO](#) [USBF21ZNSCC](#) [USBBFTV6ZC](#) [MUSBB151341](#) [10135326-001LF](#) [M9177/3-1](#) [USB-A-S-F-B-VT](#) [925](#) [4198](#) [690-024-633-031](#) [UB-20PMFP-LC7001](#) [USBFTVC6MRG](#) [UA-20BMFA-SL8001](#) [17-200011](#) [USBFTVC7ZC](#) [UB-20AFMM-LL7A01](#)
[USBFTVC2MN](#) [CAP-WCCMLPB1](#) [CAP-WCCMLPC1](#) [2041386-1](#) [2274475-3](#)