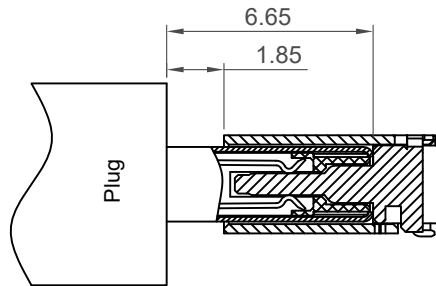
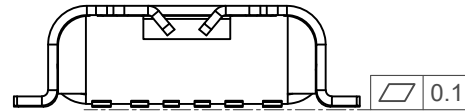
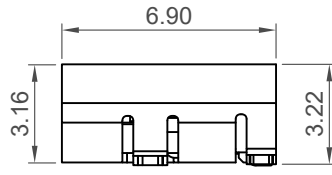
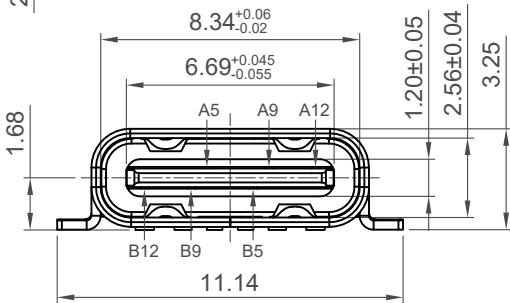


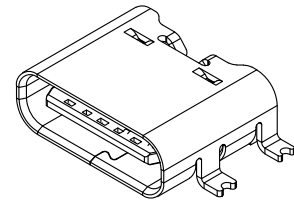
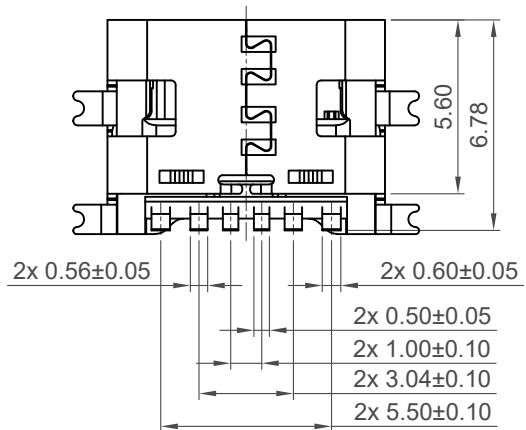
Recommended PCB Layout

Tolerance: ±0.05mm

▨ Solder Area □ Component Outline



Plug and Receptacle Mating View



Pin	Signal	Mating Sequence
A5	CC1	Second
A9	Vbus	First
A12	GND	First
B5	CC2	Second
B9	Vbus	First
B12	GND	First
SHELL	GND	

Specifications

Material

Insulator: LCP, UL 94V-0, Black
 Contact: Copper Alloy
 Shell: Stainless Steel
 Middle Plate: Stainless Steel

Plating

Contact: Gold Flash
 Shell: 50µ" min. Nickel
 Middle Plate: Cleaning

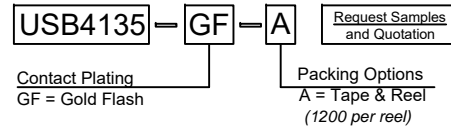
Electrical

Current Rating: 3.00A collectively for VBUS pins
 4.25A collectively for GND pins
 1.25A for B5 pin
 0.25A for A5 pin
 Voltage Rating: 20V DC
 Contact Resistance: 40mΩ max initial.
 50mΩ max after test
 Dielectric Withstanding Voltage: 100V AC
 Insulation Resistance 100MΩ min

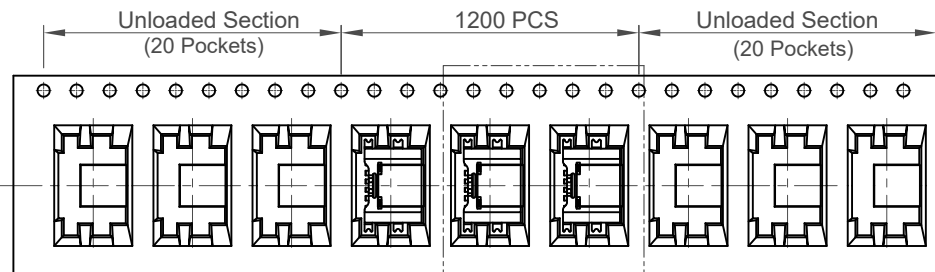
Mechanical & Environmental

Operating Temperature: -30°C to +85°C
 Mating Force: 5 to 20 N.
 Unmated Force: 6 to 20 N after test
 Durability: 20,000 cycles

Ordering Grid



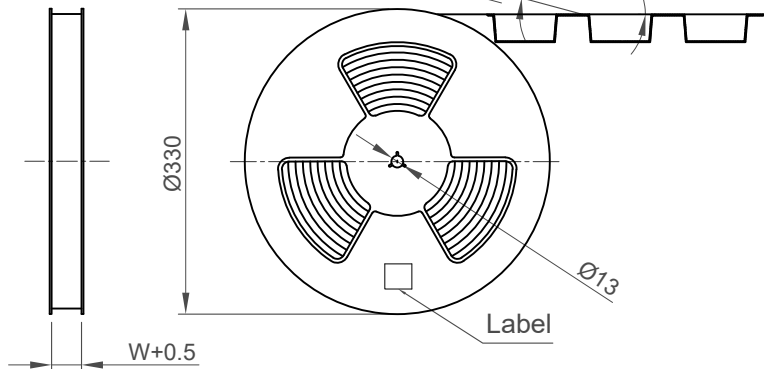
Part Number USB4135		Product Description Type C Receptacle, Horizontal, SMT, For Power Charging Only			This drawing is confidential and copyright of Global Connector Technology, Ltd (GCT). This drawing must not be copied or disclosed without written consent. E & OE	www.gct.co
Drawing Date 21st January 2022						
By	CC	Tolerances (Except as Noted)	Units:			
Detail	Drawing Release	Length	Metric (mm)			
Revision	A	X.X ± 0.30				
Date	21/01/22	X.XX ± 0.25 X.XXX ± 0.10				
Not to Scale	Drawn By CC	Sheet No. 1/2				



Direction of Unreeling

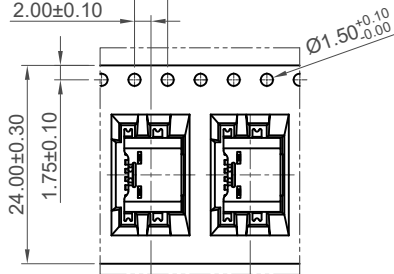
Detail E

Peeling Angle 165°~180°

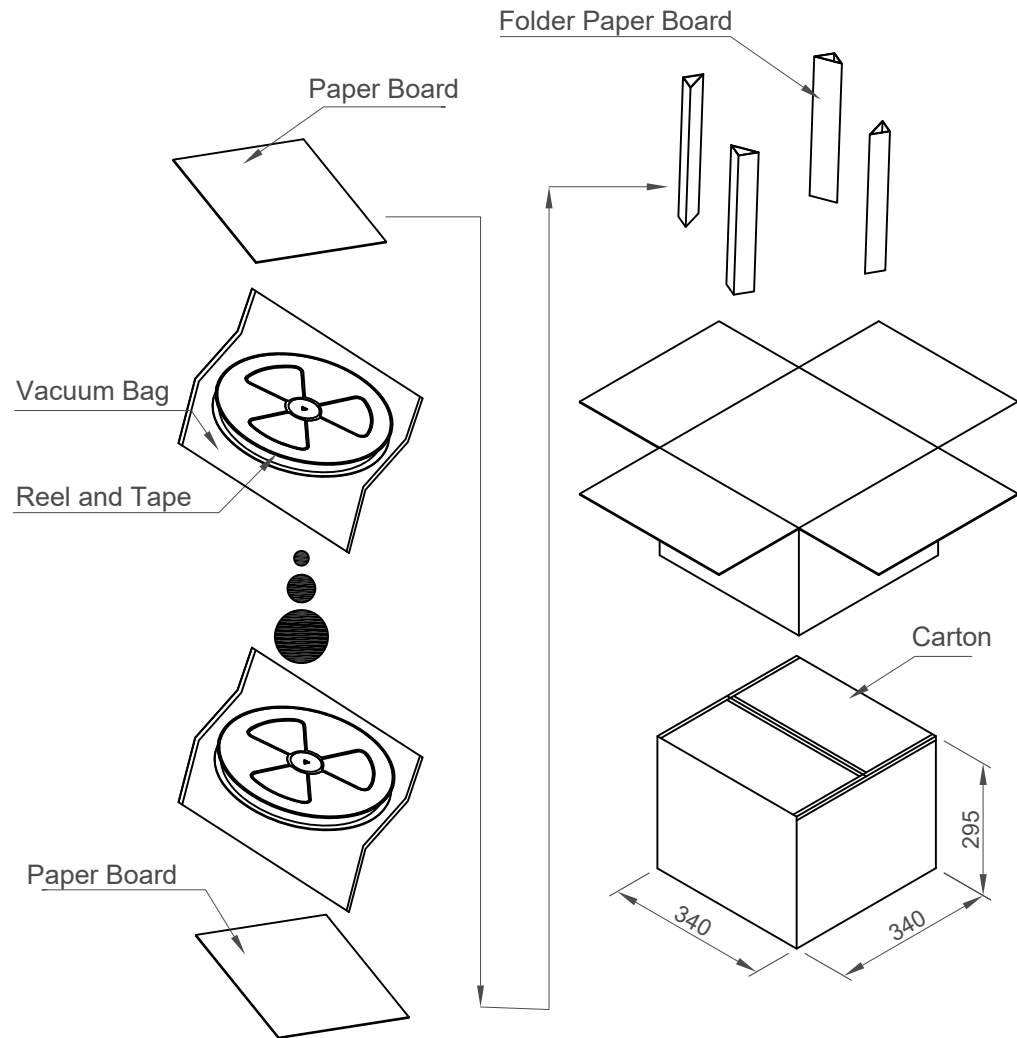


Direction of Unreeling




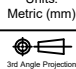

4.00±0.10
2.00±0.10



Detail: E



Pcs / Reel	Reels / Carton	Total Quantity
1200	9	10800 pcs

Part Number USB4135		Product Description Type C Receptacle, Horizontal, SMT, For Power Charging Only		 www.gct.co
Drawing Date 21st January 2022				
By CC	Drawing Release	Tolerances (Except as Noted) Length X.X ± 0.30 Angle X.XX ± 0.25 X.XXX ± 0.10	Units: Metric (mm)	 
Revision A	Date 21/01/22			This drawing is confidential and copyright of Global Connector Technology, Ltd (GCT). This drawing must not be copied or disclosed without written consent. E & OE
Not to Scale		Drawn By CC	Sheet No. 2/2	

X-ON Electronics

Largest Supplier of Electrical and Electronic Components

Click to view similar products for [USB Connectors](#) category:

Click to view products by [GCT](#) manufacturer:

Other Similar products are found below :

[950](#) [A-USB A-LP-SMT-C](#) [A-USB B-TOP-C](#) [MUSBA511N5](#) [MUSBD11135](#) [217450-1](#) [KMBVX-TH-5S-B30](#) [896-30-004-00-000000](#)
[KUSBX-AS2N-W](#) [KUSBX-SMT2AP1S-W30](#) [935](#) [957](#) [30-498-6](#) [SK-60A-2](#) [1734082-1](#) [CIR08AF-20-27S-F80-20](#) [CIR08F-20](#) [30-1574](#) [30-470](#) [30-489](#) [30-541](#) [30-572-3](#) [A-USB A-2P-C](#) [MIKROE-1451](#) [USBFTV2PEM2G](#) [USBFTVC6ZN](#) [USBFTVSCCG](#) [4689-1](#) [1-1734084-2](#)
[CIR08F-20-27P-F80-VO](#) [USBF21ZNSCC](#) [USBBFTV6ZC](#) [MUSBB151341](#) [10135326-001LF](#) [M9177/3-1](#) [USB-A-S-F-B-VT](#) [925](#) [4198](#) [690-024-633-031](#) [UB-20PMFP-LC7001](#) [USBFTVC6MRG](#) [UA-20BMFA-SL8001](#) [17-200011](#) [USBFTVC7ZC](#) [UB-20AFMM-LL7A01](#)
[USBFTVC2MN](#) [CAP-WCCMLPB1](#) [CAP-WCCMLPC1](#) [2041386-1](#) [2274475-3](#)