

Specifications

Material

Insulator: PA9T, UL 94V-0, Black  
 Contact: Copper Alloy  
 Shell: Stainless Steel  
 Middle Plate: Stainless Steel

Plating

Contact  
 Contact Area: Gold Flash Over 50µ" min. Nickel  
 Solder Tails: Gold Flash Over 50µ" min. Nickel  
 Shell: 30µ" min. Nickel  
 Middle Plate: Clear

Electrical

Current Rating: 3.00A collectively for VBUS pins  
 4.25A collectively for GND pins  
 1.25A for A5/B5 pin

Voltage Rating: 20V DC

Contact Resistance: 40mΩ max initial.

50mΩ max after test

Dielectric Withstanding Voltage: 100V AC

Insulation Resistance 100MΩ min

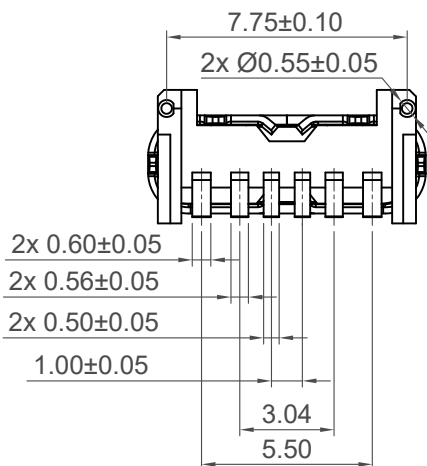
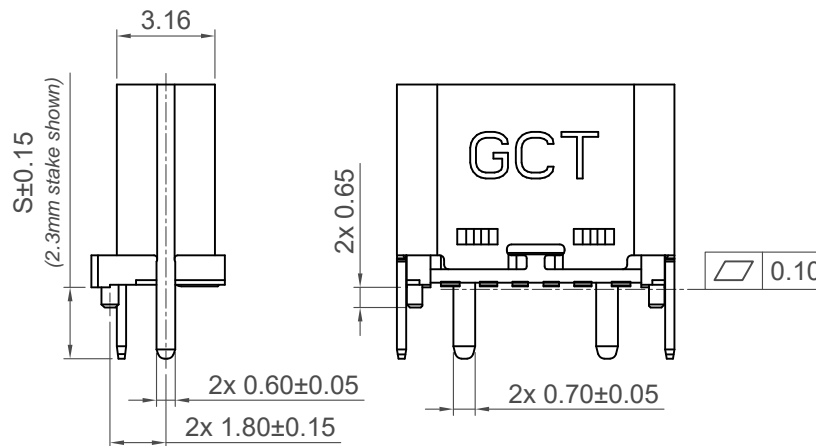
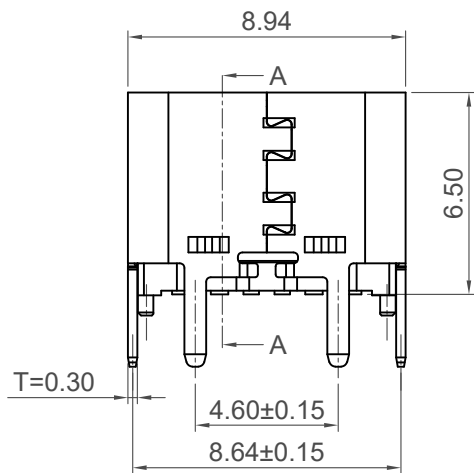
Mechanical & Environmental

Operating Temperature: -25°C to +85°C

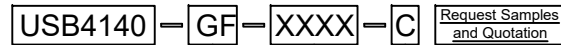
Mating Force: 5 to 20 N.

Unmated Force: 6 to 20 N after test

Durability: 20K cycles



Ordering Grid



Contact Plating  
 GF = Gold Flash

Packing Options  
 C = Tape & Reel with Cap  
 (400 per reel)

Shell Stake Length "S"

0070 = 0.70mm  
 0170 = 1.70mm  
 0230 = 2.30mm

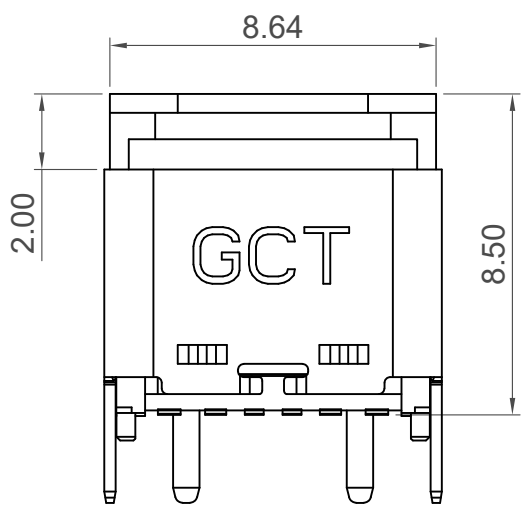
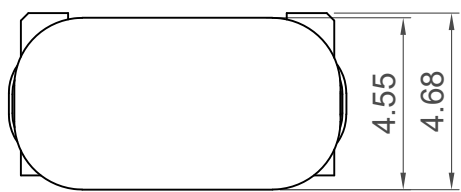
Part Number		Product Description	
USB4140		USB Type C Receptacle, Vertical, SMT, For Power charging only, H=6.50mm, 6 Pin	
Drawing Date		25th February 2022	
By	CC	Tolerances (Except as Noted)	Units:
Detail	Drawing Release	Length X.X ± 0.30 X.XX ± 0.20 X.XXX ± 0.10	Metric (mm)
Revision	A1	Angle	3rd Angle Projection
Date	27/06/22		



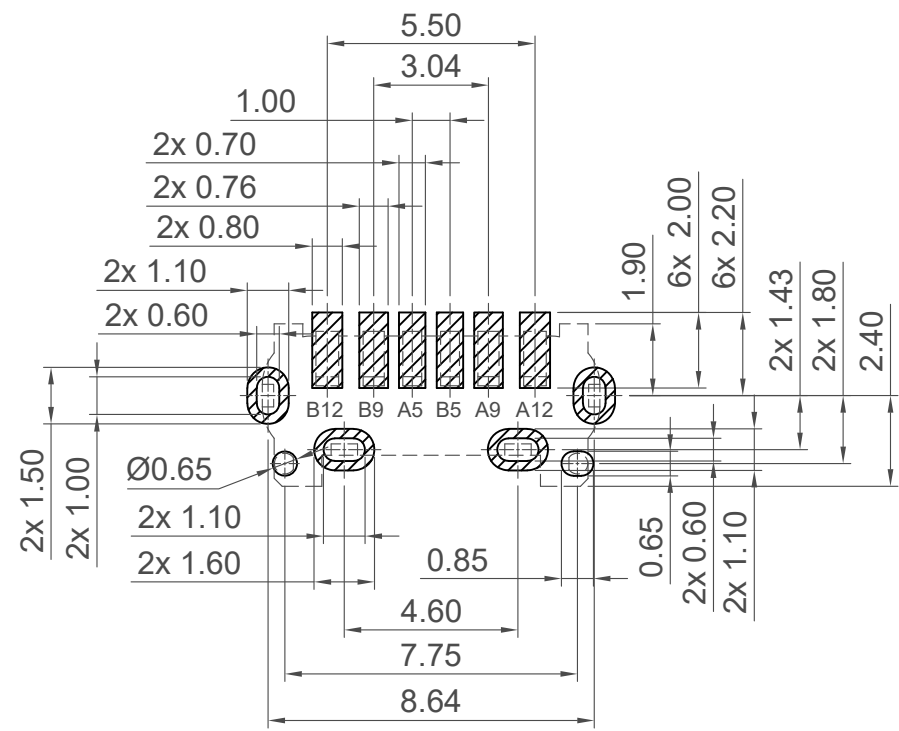
This drawing is confidential and copyright of Global Connector Technology, Ltd (GCT). This drawing must not be copied or disclosed without written consent. E & OE



Not to Scale	Drawn By CC	Sheet No. 1/4
--------------	----------------	------------------



Cap Information



**Recommended PCB Layout**

Tolerance:  $\pm 0.05\text{mm}$

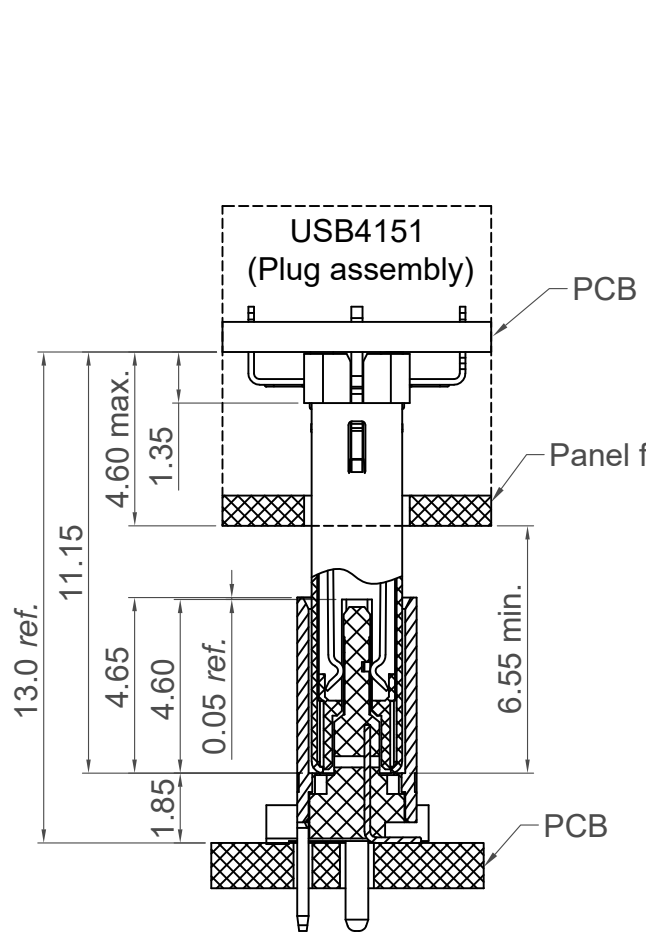
▨ Solder Area    □ Component Outline

Pin	Signal	Mating Sequence
A5	CC1	Second
A9	V <sub>BUS</sub>	First
A12	GND	First
B5	CC2	Second
B9	V <sub>BUS</sub>	First
B12	GND	First
SHELL		GND

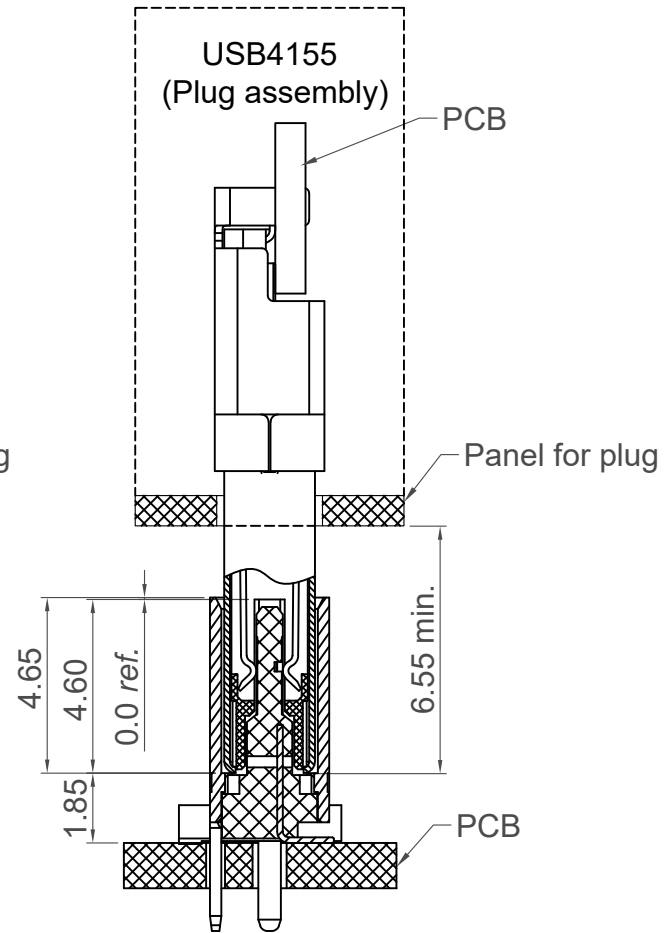
Part Number		Product Description	
USB4140		USB Type C Receptacle, Vertical, SMT, For Power charging only, H=6.50mm, 6 Pin	
Drawing Date		25th February 2022	
By	CC	Tolerances (Except as Noted)	Units:
Detail	Drawing Release	Length	Metric (mm)
Revision	A1	X.X ± 0.30	
Date	27/06/22	X.XX ± 0.20	
		X.XXX ± 0.10	
This drawing is confidential and copyright of Global Connector Technology, Ltd (GCT). This drawing must not be copied or disclosed without written consent. E & OE			



Not to Scale	Drawn By CC	Sheet No. 2/4
--------------	----------------	------------------

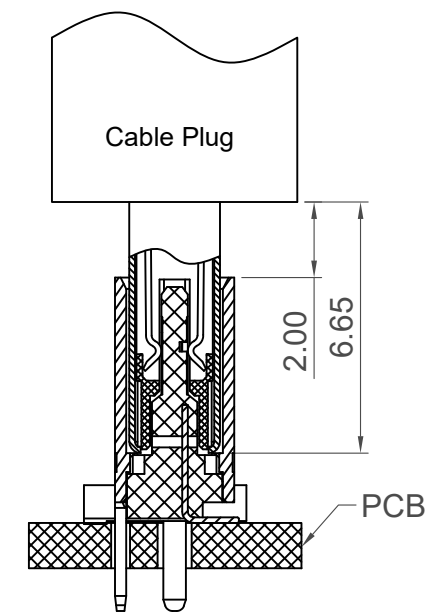


USB4140  
(Receptacle assembly)



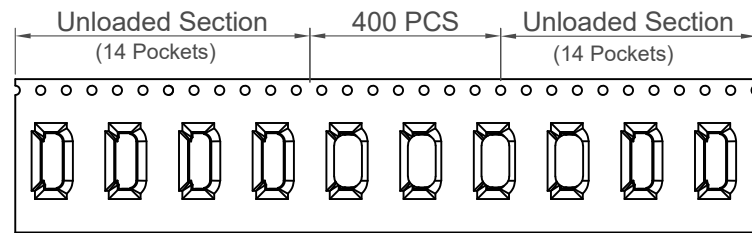
USB4140  
(Receptacle assembly)

Plug and Receptacle Mating View



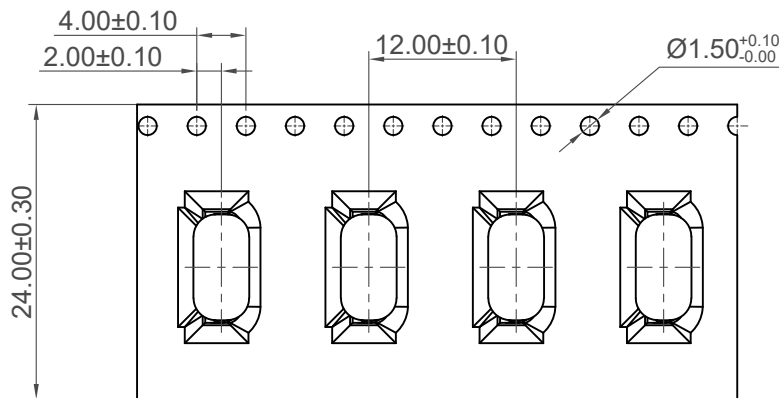
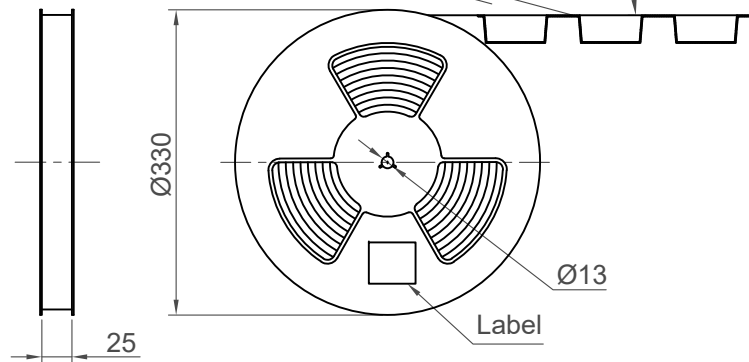
USB4140  
(Receptacle assembly)

Part Number		Product Description	
USB4140		USB Type C Receptacle, Vertical, SMT, For Power charging only, H=6.50mm, 6 Pin	
Drawing Date		25th February 2022	
By	CC	Tolerances (Except as Noted)	Units:
Detail	Drawing Release	Length X.X ± 0.30	Metric (mm)
Revision	A1	Angle X.XX ± 0.20	
Date	27/06/22	X.XXX ± 0.10	
		This drawing is confidential and copyright of Global Connector Technology, Ltd (GCT). This drawing must not be copied or disclosed without written consent. E & OE	
Not to Scale	Drawn By CC	Sheet No. 3/4	<a href="http://www.gct.co">www.gct.co</a>

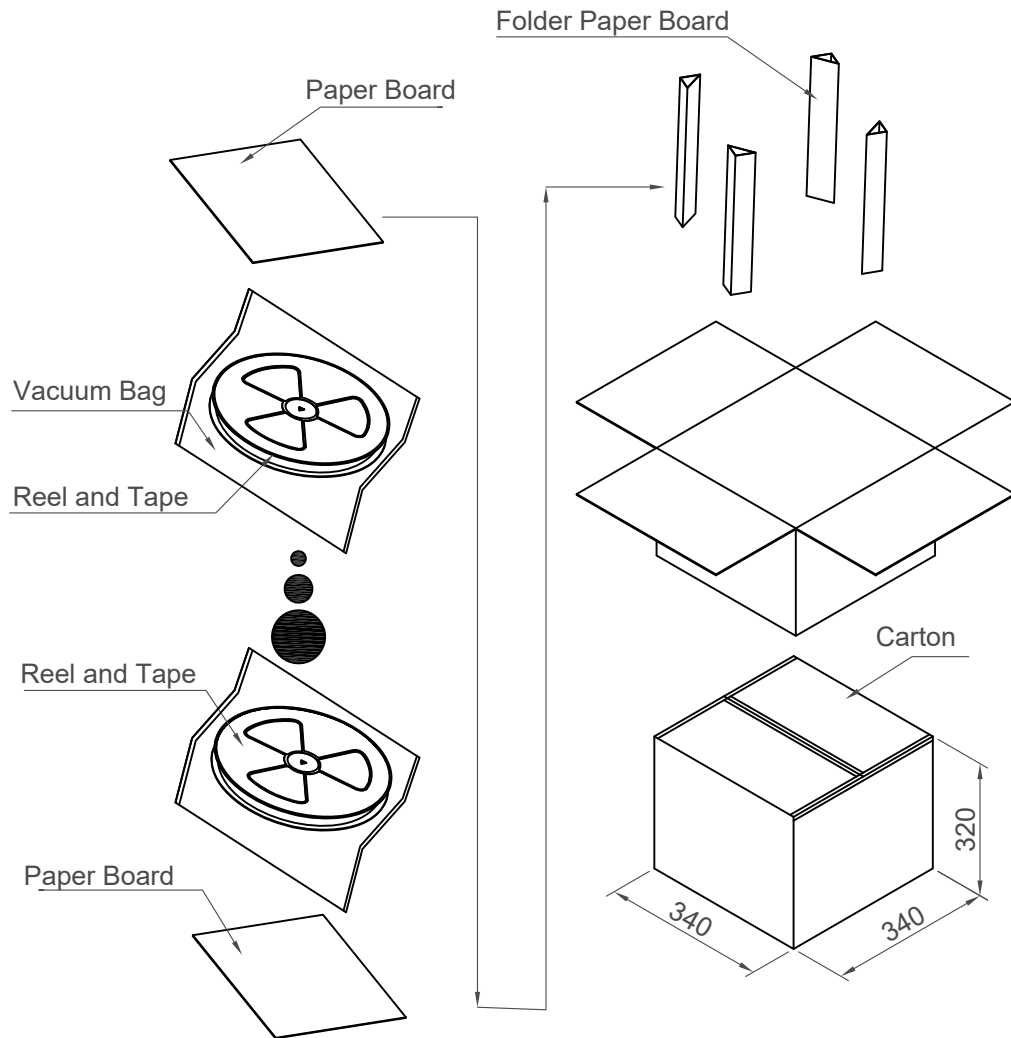


Direction of Unreeling

Peeling Angle 165°~180°



Direction of Unreeling



Pcs / Reel	Reels / Carton	Total Quantity
400	10	4,000 pcs

Part Number		Product Description	
USB4140		USB Type C Receptacle, Vertical, SMT, For Power charging only, H=6.50mm, 6 Pin	
Drawing Date		25th February 2022	
By	CC	Tolerances (Except as Noted)	Units:
Detail	Drawing Release	Length	Metric (mm)
Revision	A1	Angle	3rd Angle Projection
Date	27/06/22		



This drawing is confidential and copyright of Global Connector Technology, Ltd (GCT). This drawing must not be copied or disclosed without written consent. E & OE



Not to Scale  
Drawn By CC  
Sheet No. 4/4

## X-ON Electronics

Largest Supplier of Electrical and Electronic Components

*Click to view similar products for [USB Connectors](#) category:*

*Click to view products by [GCT](#) manufacturer:*

Other Similar products are found below :

[950](#) [A-USB A-LP-SMT-C](#) [A-USB B-TOP-C](#) [MUSBA511N5](#) [MUSBD11135](#) [217450-1](#) [KMBVX-TH-5S-B30](#) [896-30-004-00-000000](#)  
[KUSBX-AS2N-W](#) [KUSBX-SMT2AP1S-W30](#) [935](#) [957](#) [30-498-6](#) [SK-60A-2](#) [1734082-1](#) [CIR08AF-20-27S-F80-20](#) [CIR08F-20](#) [30-1574](#) [30-470](#) [30-489](#) [30-541](#) [30-572-3](#) [A-USB A-2P-C](#) [MIKROE-1451](#) [USBFTV2PEM2G](#) [USBFTVC6ZN](#) [USBFTVSCCG](#) [4689-1](#) [1-1734084-2](#)  
[CIR08F-20-27P-F80-VO](#) [USBF21ZNSCC](#) [USBBFTV6ZC](#) [MUSBB151341](#) [10135326-001LF](#) [M9177/3-1](#) [USB-A-S-F-B-VT](#) [925](#) [4198](#) [690-024-633-031](#) [UB-20PMFP-LC7001](#) [USBFTVC6MRG](#) [UA-20BMFA-SL8001](#) [17-200011](#) [USBFTVC7ZC](#) [UB-20AFMM-LL7A01](#)  
[USBFTVC2MN](#) [CAP-WCCMLPB1](#) [CAP-WCCMLPC1](#) [2041386-1](#) [2274475-3](#)