

Specifications

Material

Insulator: PA9T, UL 94V-0, Black
 Contact: Copper Alloy
 Mid Plate: Stainless Steel
 EMI Plate: Stainless Steel
 Shell: Stainless Steel

Plating

Contact
 Contact Area: 3u" Au over 50µ" min. Nickel
 Solder Tails: Gold Flash over 50µ" min. Nickel
 Shell: 30µ" min. Nickel
 Mid Plate: Clear
 EMI Plate: Clear

Electrical

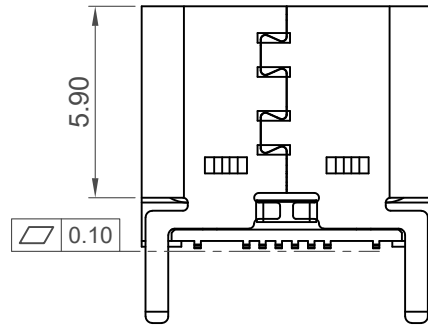
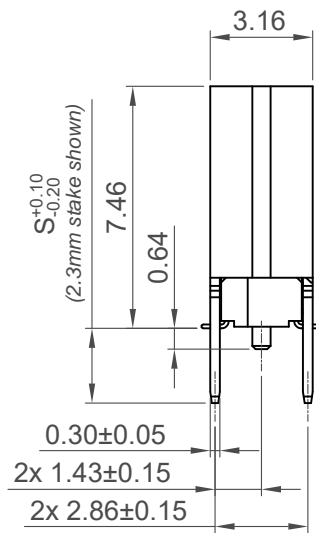
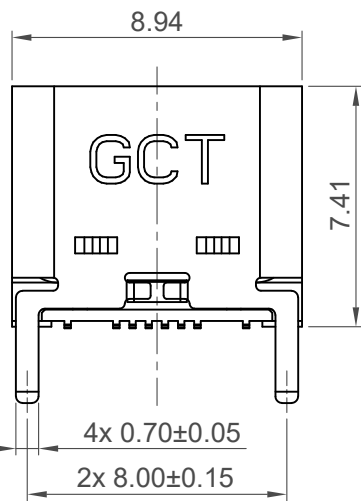
Current Rating: 5.00A collectively for Vbus pins
 6.25A collectively for GND pins
 1.25A for A5/B5 pin
 0.25A per pin for all other pins

Voltage Rating: 20V DC
 Contact Resistance: 40mΩ max initial.
 50mΩ max after test

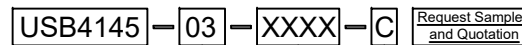
Dielectric Withstanding Voltage: 100V AC
 Insulation Resistance 100MΩ min

Mechanical & Environmental

Operating Temperature: -25°C to +85°C
 Mating Force: 5 to 20 N.
 Unmated Force: 6 to 20 N after test
 Durability: 20K cycles



Ordering Grid



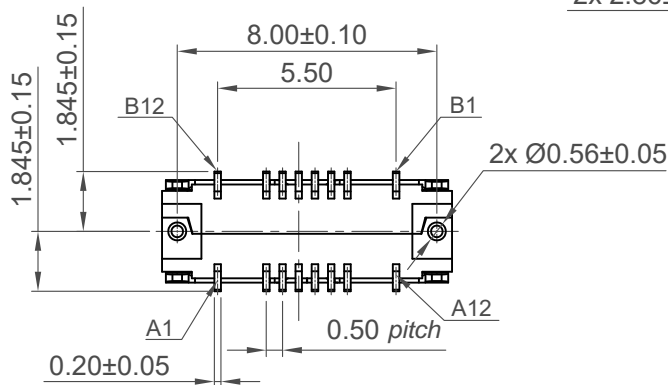
Contact Plating
 03 = 3u" Gold

Packing Options

C = Tape & Reel with Cap

Shell Stake Length "S"

0070 = 0.70mm
 0170 = 1.70mm
 0230 = 2.30mm



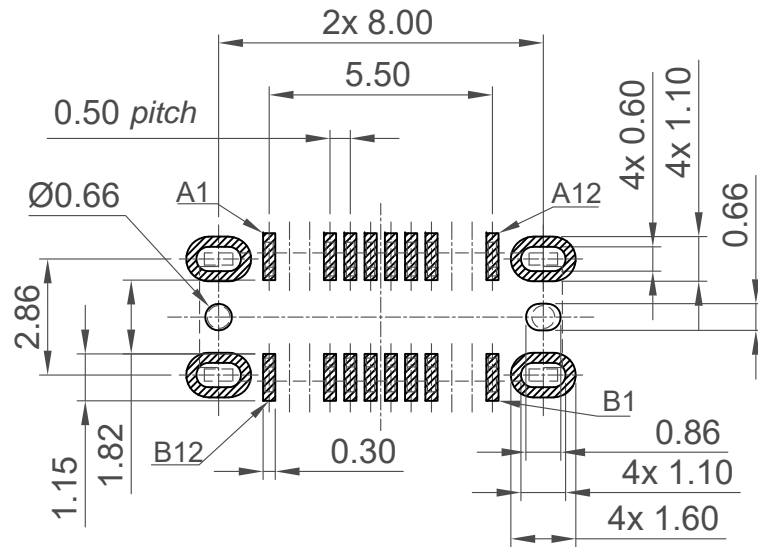
Part Number		Product Description	
USB4145		USB2.0 Type C Receptacle, Vertical, SMT, H=7.46mm, 16 Pin	
Drawing Date		28th June 2022	
By	CC	Tolerances (Except as Noted)	Units:
Detail	Drawing Release	Length	Metric (mm)
Revision	A	Angle	
Date	28/06/22	X.X ± 0.30	
		X.XX ± 0.20	
		X.XXX ± 0.10	



This drawing is confidential and copyright of Global Connector Technology, Ltd (GCT). This drawing must not be copied or disclosed without written consent. E & OE



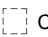


Not to Scale	Drawn By CC	Sheet No. 1/4
--------------	-------------	---------------





Recommended PCB Layout

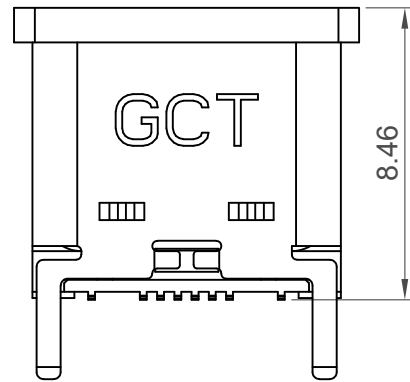
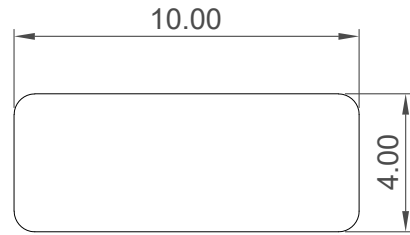
Tolerance: $\pm 0.05\text{mm}$

 Solder Area
  Keep Out Area
  Component Outline

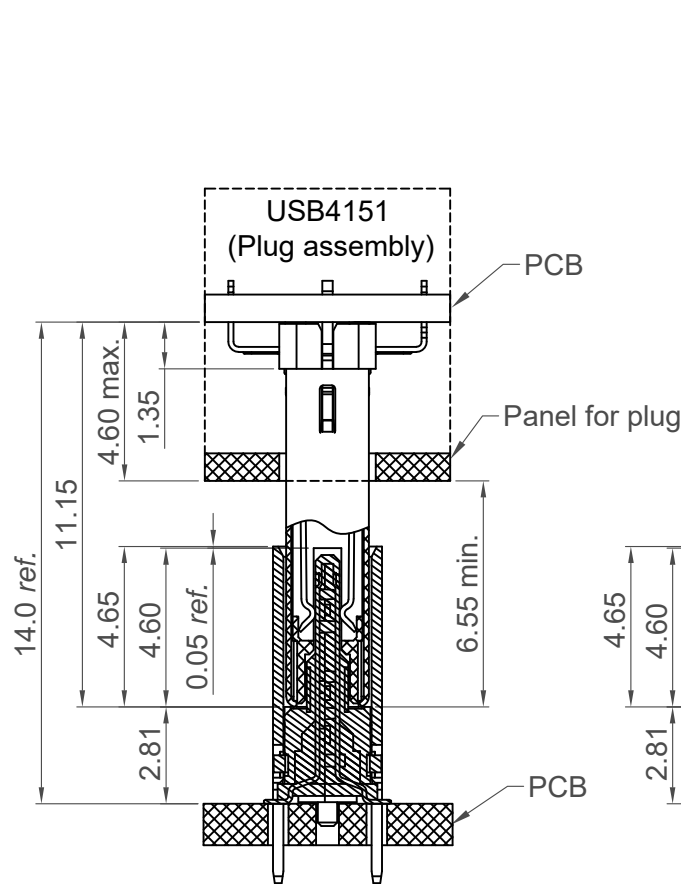
Pin	Signal	Mating Sequence	Pin	Signal	Mating Sequence
A1	GND	First	B12	GND	First
A4	V _{BUS}	First	B9	V _{BUS}	First
A5	CC1	Second	B8	SBU2	Second
A6	Dp1	Second	B7	Dn2	Second
A7	Dn1	Second	B6	Dp2	Second
A8	SBU1	Second	B5	CC2	Second
A9	V _{BUS}	First	B4	V _{BUS}	First
A12	GND	First	B1	GND	First
SHELL		GND	SHELL		GND

Part Number		Product Description			
USB4145		USB2.0 Type C Receptacle, Vertical, SMT, H=7.46mm, 16 Pin			
Drawing Date		28th June 2022			
By	CC	Tolerances (Except as Noted)		Units:	 
Detail	Drawing Release	Length	Angle	Metric (mm)	
Revision	A	X.X \pm 0.30	-		
Date	28/06/22	X.XX \pm 0.20	X.XXX \pm 0.10		
<p>This drawing is confidential and copyright of Global Connector Technology, Ltd (GCT). This drawing must not be copied or disclosed without written consent. E & OE</p>					
Not to Scale		Drawn By		Sheet No.	
		CC		2/4	

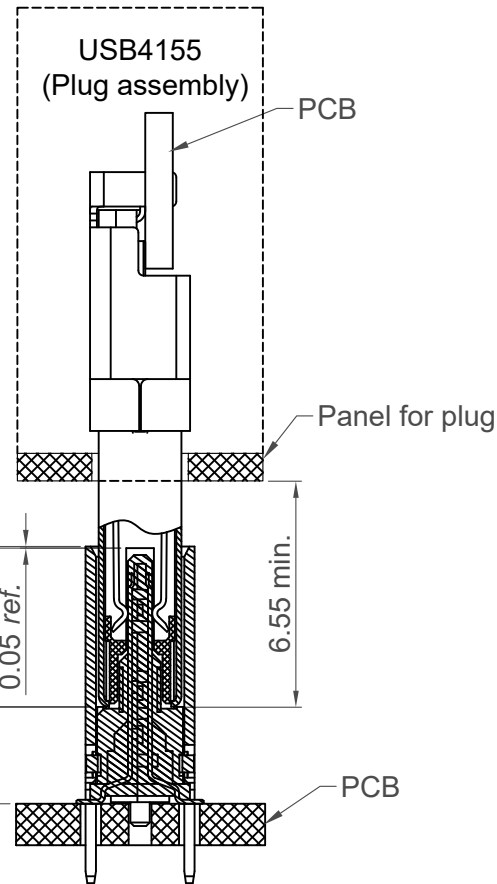




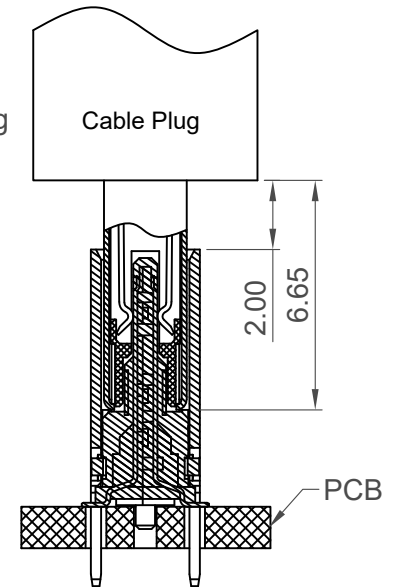
Cap Information



USB4145
(Receptacle assembly)



USB4145
(Receptacle assembly)



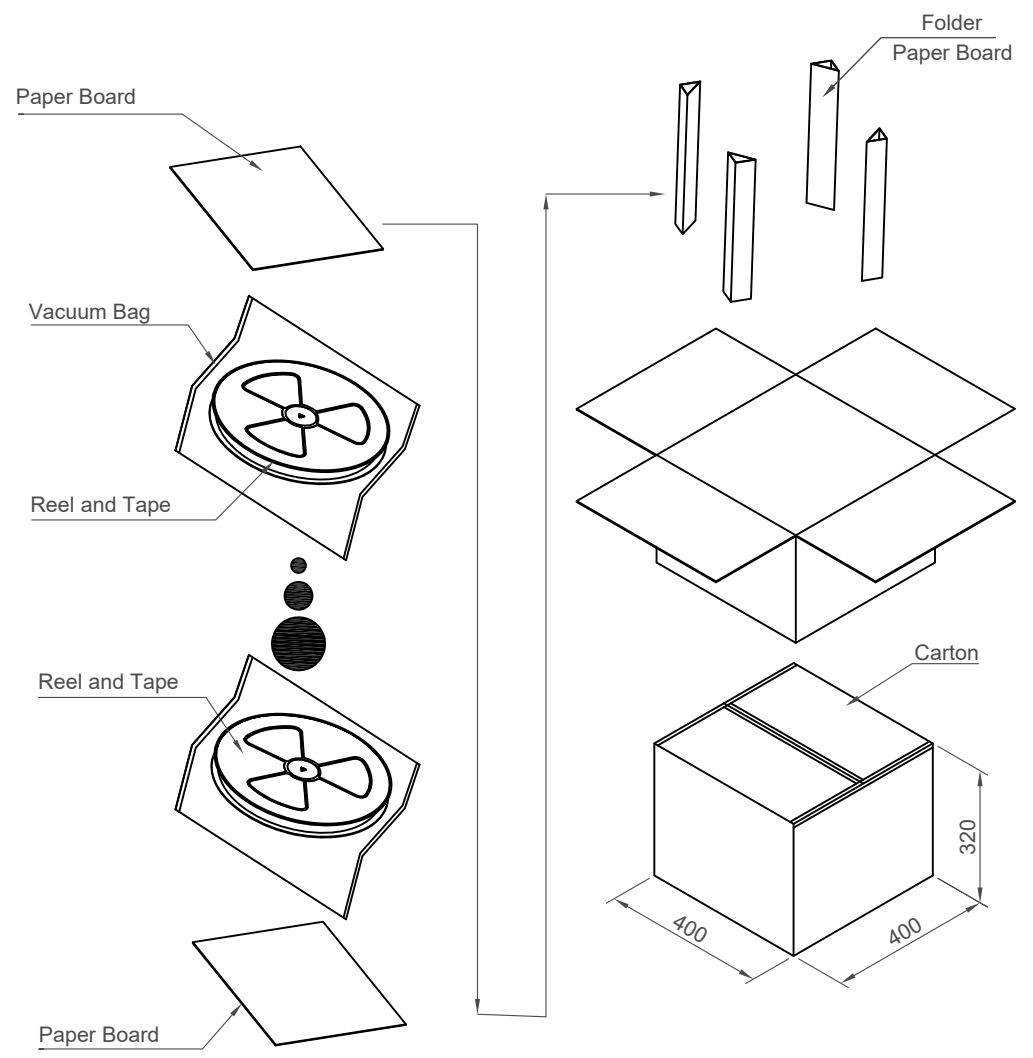
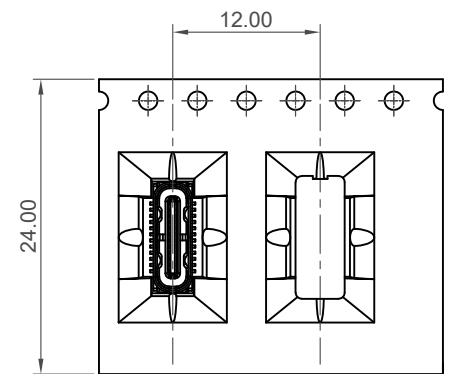
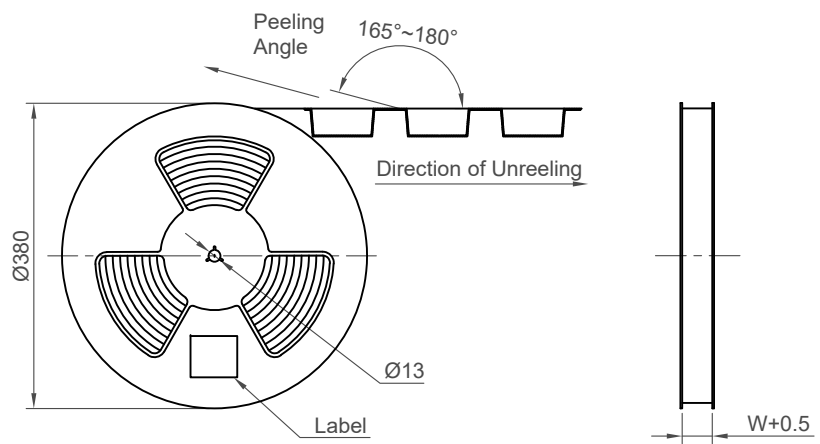
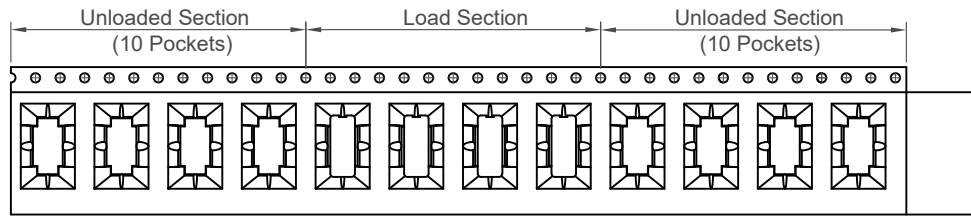
USB4145
(Receptacle assembly)

Plug and Receptacle Mating View

Part Number		Product Description	
USB4145		USB2.0 Type C Receptacle, Vertical, SMT, H=7.46mm, 16 Pin	
Drawing Date		28th June 2022	
By	CC	Tolerances (Except as Noted)	Units:
Detail	Drawing Release	Length X.X ± 0.30	Metric (mm)
Revision	A	Angle X.XX ± 0.20	 3rd Angle Projection
Date	28/06/22	X.XXX ± 0.10	
		 Deca-SIDE	
		 This drawing is confidential and copyright of Global Connector Technology, Ltd (GCT). This drawing must not be copied or disclosed without written consent. E & OE	
Not to Scale	Drawn By CC	Sheet No. 3/4	



H
G
F
E
D
C
B
A



Part Number	Pcs / Reel	Reels / Carton	Total Quantity
USB4145-03-0070-C	700	10	7,000 pcs
USB4145-03-0170-C	500	10	5,000 pcs
USB4145-03-0230-C	500	10	5,000 pcs

Part Number USB4145		Product Description USB2.0 Type C Receptacle, Vertical, SMT, H=7.46mm, 16 Pin	
Drawing Date 28th June 2022			
By CC	Tolerances (Except as Noted)	Units: Metric (mm)	
Detail Drawing Release	Length X.X ± 0.30	Angle -	
Revision A	X.XX ± 0.20		
Date 28/06/22	X.XXX ± 0.10		

GCT
www.gct.co

This drawing is confidential and copyright of Global Connector Technology, Ltd (GCT). This drawing must not be copied or disclosed without written consent. E & OE

Not to Scale Drawn By CC Sheet No. 4/4

1 2 3 4 5 6 7 8

X-ON Electronics

Largest Supplier of Electrical and Electronic Components

Click to view similar products for [USB Connectors](#) category:

Click to view products by [GCT](#) manufacturer:

Other Similar products are found below :

[950](#) [A-USB A-LP-SMT-C](#) [A-USB B-TOP-C](#) [MUSBA511N5](#) [MUSBD11135](#) [217450-1](#) [KMBVX-TH-5S-B30](#) [896-30-004-00-000000](#)
[KUSBX-AS2N-W](#) [KUSBX-SMT2AP1S-W30](#) [935](#) [957](#) [30-498-6](#) [SK-60A-2](#) [1734082-1](#) [CIR08AF-20-27S-F80-20](#) [CIR08F-20](#) [30-1574](#) [30-470](#) [30-489](#) [30-541](#) [30-572-3](#) [A-USB A-2P-C](#) [MIKROE-1451](#) [USBFTV2PEM2G](#) [USBFTVC6ZN](#) [USBFTVSCCG](#) [4689-1](#) [1-1734084-2](#)
[CIR08F-20-27P-F80-VO](#) [USBF21ZNSCC](#) [USBBFTV6ZC](#) [MUSBB151341](#) [10135326-001LF](#) [M9177/3-1](#) [USB-A-S-F-B-VT](#) [925](#) [4198](#) [690-024-633-031](#) [UB-20PMFP-LC7001](#) [USBFTVC6MRG](#) [UA-20BMFA-SL8001](#) [17-200011](#) [USBFTVC7ZC](#) [UB-20AFMM-LL7A01](#)
[USBFTVC2MN](#) [CAP-WCCMLPB1](#) [CAP-WCCMLPC1](#) [2041386-1](#) [2274475-3](#)