

Specifications

Material

Insulator: PA9T, UL 94V-0, Black  
 Contact: Copper Alloy  
 Mid Plate: Stainless Steel  
 EMI Plate: Stainless Steel  
 Shell: Stainless Steel

Plating

Contact  
 Contact Area: 3u" Au over 50µ" min. Nickel  
 Solder Tails: Gold Flash over 50µ" min. Nickel  
 Shell: 30µ" min. Nickel  
 Mid Plate: Clear  
 EMI Plate: Clear

Electrical

Current Rating: 5.00A collectively for Vbus pins  
 6.25A collectively for GND pins  
 1.25A for A5/B5 pin  
 0.25A per pin for all other pins

Voltage Rating: 48V DC

Power Rating: 240W

Contact Resistance: 40mΩ max initial.

50mΩ max after test

Dielectric Withstanding Voltage: 100V AC

Insulation Resistance 100MΩ min

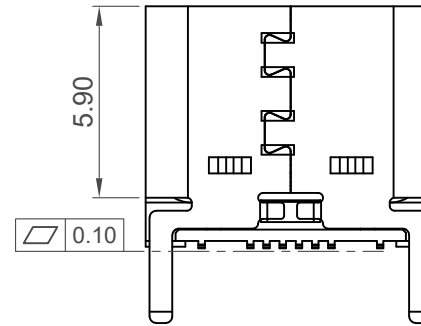
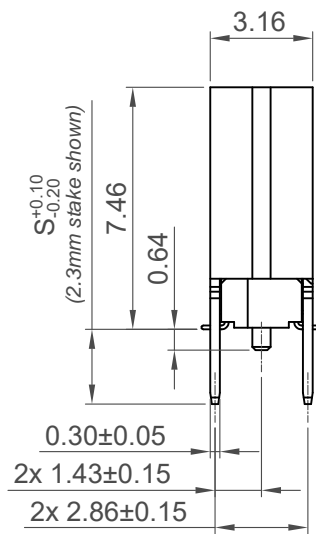
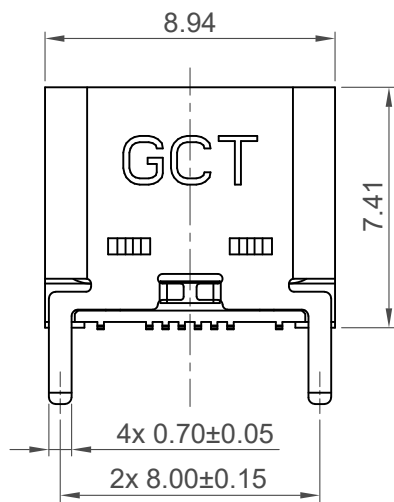
Mechanical & Environmental

Operating Temperature: -25°C to +85°C

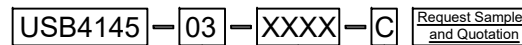
Mating Force: 5 to 20 N.

Unmated Force: 6 to 20 N after test

Durability: 20K cycles



Ordering Grid



Contact Plating  
 03 = 3u" Gold

Packing Options

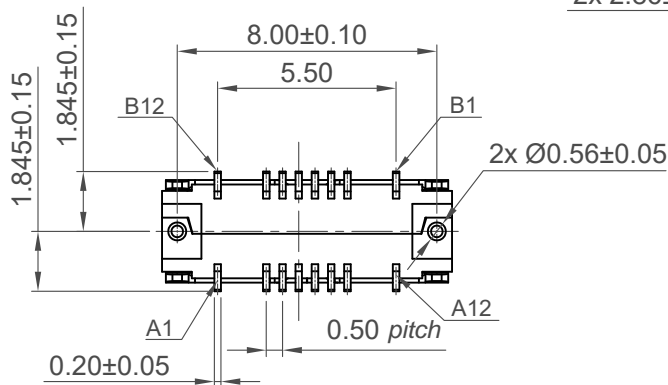
C = Tape & Reel with Cap

Shell Stake Length "S"

0070 = 0.70mm

0170 = 1.70mm

0230 = 2.30mm



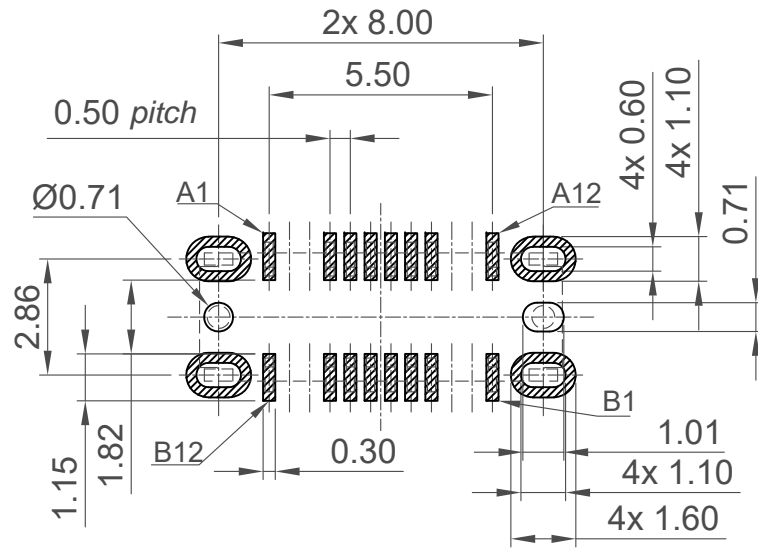
Part Number		Product Description	
USB4145		USB2.0 Type C Receptacle, Vertical, SMT, H=7.46mm, 16 Pin	
Drawing Date		28th June 2022	
By	CC	Tolerances (Except as Noted)	Units:
Detail	Drawing Release	Length	Metric (mm)
Revision	A2	Angle	
Date	31/01/23	X.X ± 0.30	
		X.XX ± 0.20	
		X.XXX ± 0.10	



This drawing is confidential and copyright of Global Connector Technology, Ltd (GCT). This drawing must not be copied or disclosed without written consent. E & OE



Not to Scale	Drawn By CC	Sheet No. 1/4
--------------	-------------	---------------



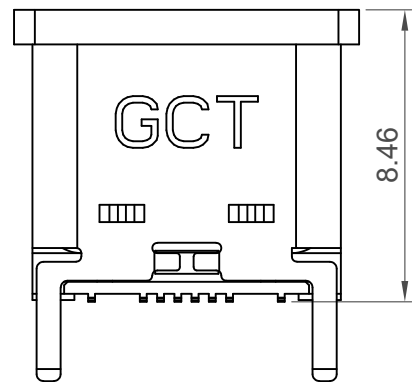
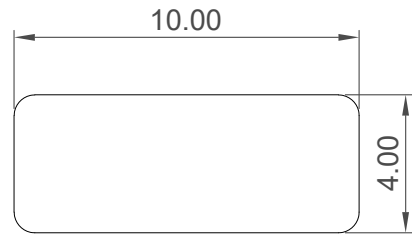
**Recommended PCB Layout**

Tolerance:  $\pm 0.05\text{mm}$

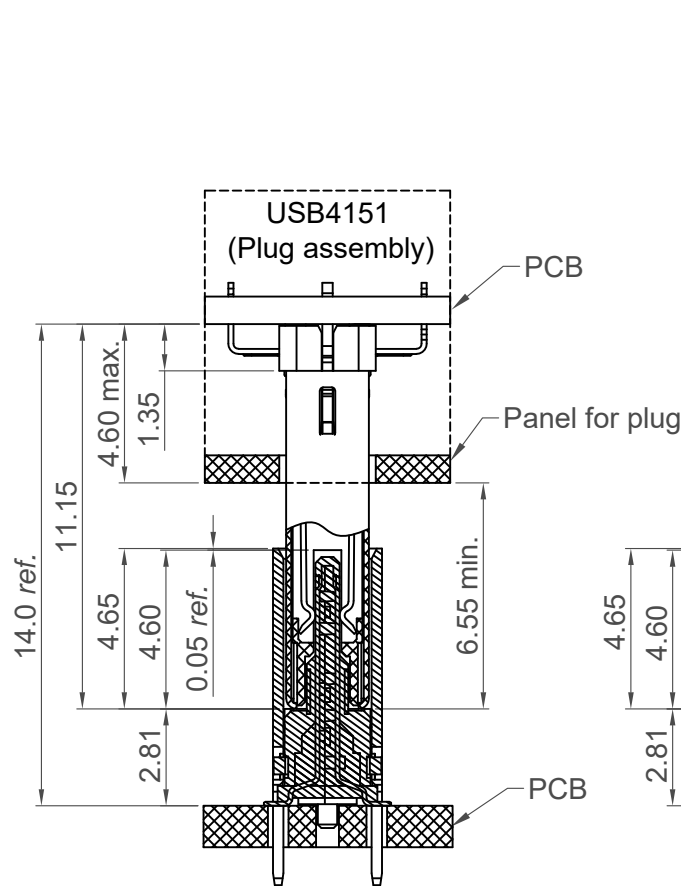
Solder Area 
 Keep Out Area 
 Component Outline

Pin	Signal	Mating Sequence	Pin	Signal	Mating Sequence
A1	GND	First	B12	GND	First
A4	V <sub>BUS</sub>	First	B9	V <sub>BUS</sub>	First
A5	CC1	Second	B8	SBU2	Second
A6	Dp1	Second	B7	Dn2	Second
A7	Dn1	Second	B6	Dp2	Second
A8	SBU1	Second	B5	CC2	Second
A9	V <sub>BUS</sub>	First	B4	V <sub>BUS</sub>	First
A12	GND	First	B1	GND	First
SHELL		GND	SHELL		GND

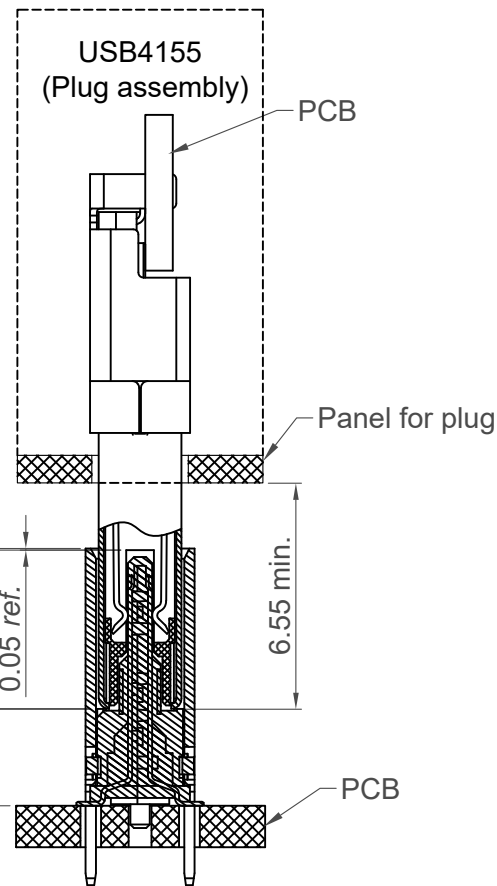
Part Number		Product Description			
USB4145		USB2.0 Type C Receptacle, Vertical, SMT, H=7.46mm, 16 Pin			
Drawing Date		28th June 2022			
By	CC	Tolerances (Except as Noted)		Units:	 
Detail	Drawing Release	Length	Angle	Metric (mm)	
Revision	A2	X.X $\pm$ 0.30	-		
Date	31/01/23	X.XX $\pm$ 0.20			
		X.XXX $\pm$ 0.10		 This drawing is confidential and copyright of Global Connector Technology, Ltd (GCT). This drawing must not be copied or disclosed without written consent. E & OE	
				 <a href="http://www.gct.co">www.gct.co</a>	
				Not to Scale    Drawn By CC    Sheet No. 2/4	



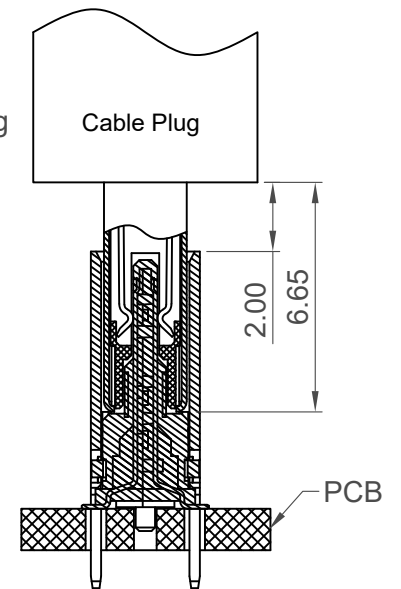
Cap Information



USB4145  
(Receptacle assembly)



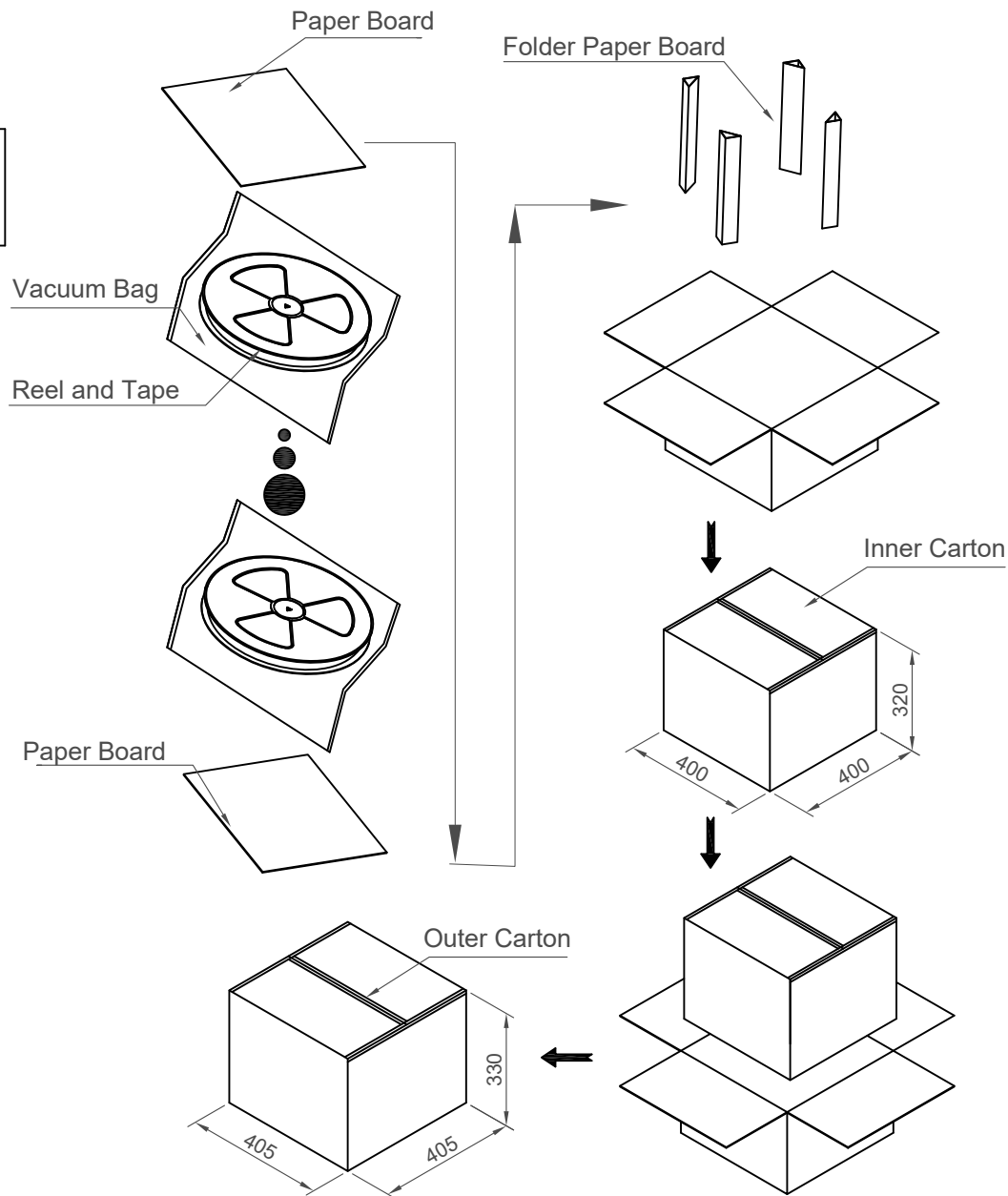
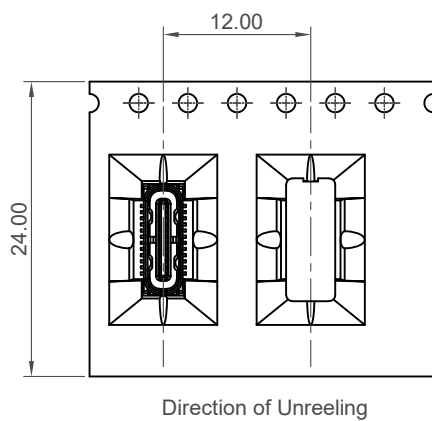
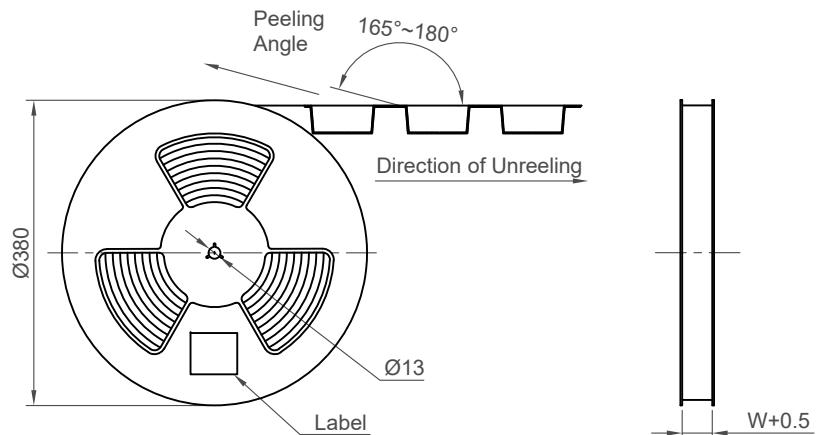
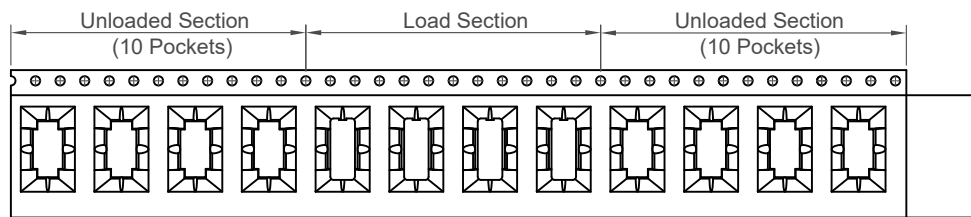
USB4145  
(Receptacle assembly)



USB4145  
(Receptacle assembly)

Plug and Receptacle Mating View

Part Number		Product Description		<b>GCT</b> www.gct.co
USB4145		USB2.0 Type C Receptacle, Vertical, SMT, H=7.46mm, 16 Pin		
Drawing Date		28th June 2022		
By	CC	Tolerances (Except as Noted)	Units:	 This drawing is confidential and copyright of Global Connector Technology, Ltd (GCT). This drawing must not be copied or disclosed without written consent. E & OE
Detail	Drawing Release	Length X.X ± 0.30	Metric (mm)	
Revision	A2	Angle X.XX ± 0.20	 3rd Angle Projection	
Date	31/01/23	X.XXX ± 0.10		
Not to Scale	Drawn By CC	Sheet No. 3/4		



Part Number	Pcs / Reel	Reels / Carton	Total Quantity
USB4145-03-0070-C	700	10	7,000 pcs
USB4145-03-0170-C	600	10	6,000 pcs
USB4145-03-0230-C	600	10	6,000 pcs

Part Number		Product Description	
USB4145		USB2.0 Type C Receptacle, Vertical, SMT, H=7.46mm, 16 Pin	
Drawing Date		28th June 2022	
By	CC	Tolerances (Except as Noted)	Units:
Detail	Drawing Release	Length X.X ± 0.30	Metric (mm)
Revision	A2	Angle X.XX ± 0.20	
Date	31/01/23	X.XXX ± 0.10	

This drawing is confidential and copyright of Global Connector Technology, Ltd (GCT). This drawing must not be copied or disclosed without written consent. E & OE



Not to Scale	Drawn By CC	Sheet No. 4/4
--------------	-------------	---------------

## X-ON Electronics

Largest Supplier of Electrical and Electronic Components

*Click to view similar products for [USB Connectors](#) category:*

*Click to view products by [GCT manufacturer](#):*

Other Similar products are found below :

[950](#) [A-USB A-LP-SMT-C](#) [A-USB B-TOP-C](#) [MUSBD11135](#) [17-200721](#) [217450-1](#) [KMBVX-TH-5S-B30](#) [KUSBX-AS2N-W](#) [KUSBX-SMT2AP1S-W30](#) [935](#) [957](#) [30-498-6](#) [SK-60A-2](#) [1734082-1](#) [30-470](#) [30-489](#) [30-541](#) [MAB 5 S](#) [A-USB A-2P-C](#) [MIKROE-1451](#)  
[USBFTVSCCG](#) [4689-1](#) [1-1734084-2](#) [NK-27-32SL](#) [NK-L8-22C-5/8](#) [10135326-001LF](#) [4198](#) [690-024-633-031](#) [17-200011](#) [UB-20AFMM-LL7A01](#) [CAP-WCCMLPB1](#) [CAP-WCCMLPC1](#) [2274475-3](#) [914-614A2025S10200](#) [USB3FTV7SAGF059](#) [USB3FTV2SAZNF459](#)  
[USB3FTV7SAZNF459](#) [HYCW153-USBD05-500B](#) [HYCW219-USBD05-075B](#) [HYCW148-USBD05-117B](#) [HYCW149-USBD05-740B](#)  
[HYCW204-USBD05-108B](#) [HYCW214-USBA04-113B](#) [HYCW213-USBA04-113B](#) [KMMX-BSMT35S-1-B30TR](#) [2345986-1](#) [10082141-N340LF](#) [10117836-011LF](#) [GSB3C3133DSYHR](#) [00201-UCAF002-X](#)