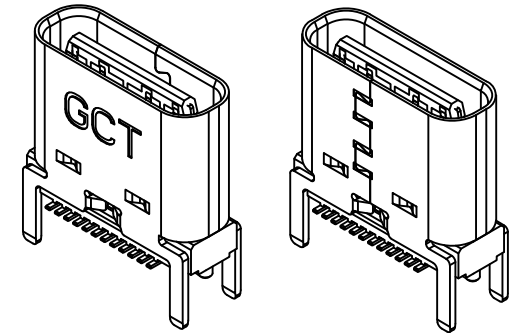


Section: A-A



Specifications

Material

- Insulator: PA9T, UL 94V-0, Black
- Contact: Copper Alloy
- Mid Plate: Stainless Steel
- EMI Plate: Stainless Steel
- Shell: Stainless Steel

Plating

- Contact
- Contact Area: 3u" Au over 50µ" min. Nickel
- Solder Tails: Gold Flash over 50µ" min. Nickel
- Shell: 30µ" min. Nickel
- Mid Plate: Clear
- EMI Plate: Clear

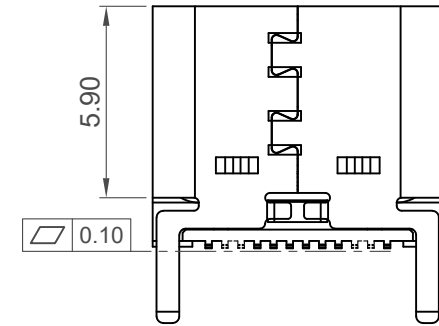
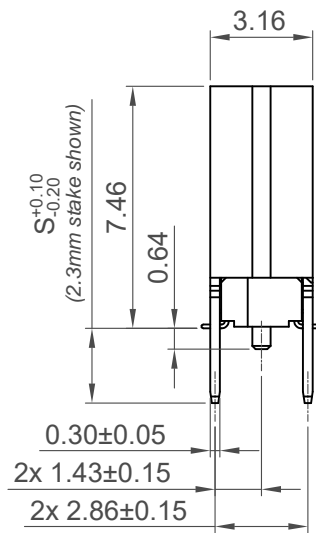
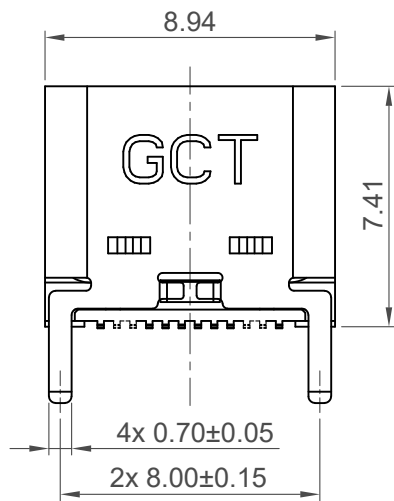
Electrical

- Current Rating: 5.00A collectively for VBUS pins
6.25A collectively for GND pins
1.25A for A5/B5 pin
0.25A per pin for all other pins

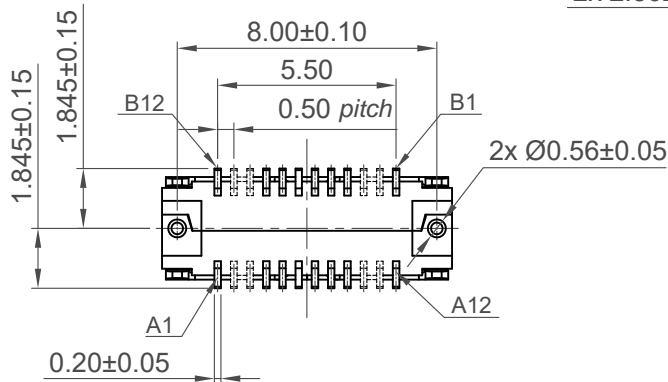
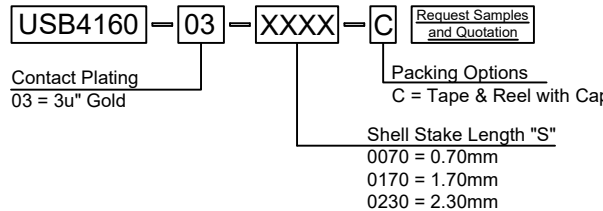
- Voltage Rating: 20V DC
- Contact Resistance: 40mΩ max initial.
50mΩ max after test
- Dielectric Withstanding Voltage: 100V AC
- Insulation Resistance 100MΩ min

Mechanical & Environmental

- Operating Temperature: -25°C to +85°C
- Mating Force: 5 to 20 N.
- Unmated Force: 6 to 20 N after test
- Durability: 20K cycles



Ordering Grid



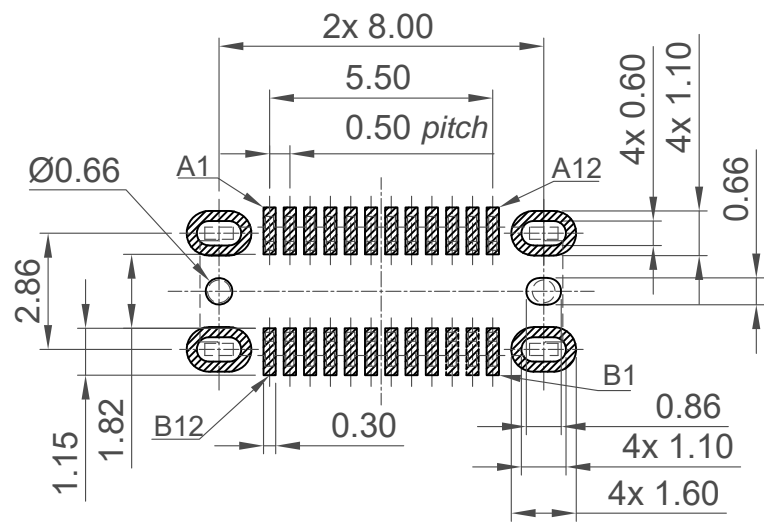
Part Number		Product Description	
USB4160		USB3.2 Gen2, Type C Receptacle, Vertical, SMT, H=7.46mm, 24 Pin	
Drawing Date		28th June 2022	
By	CC	Tolerances (Except as Noted)	Units:
Detail	Drawing Release	Length	Metric (mm)
Revision	A	Angle	
Date	28/06/22	X.X ± 0.30	
		X.XX ± 0.20	
		X.XXX ± 0.10	



This drawing is confidential and copyright of Global Connector Technology, Ltd (GCT). This drawing must not be copied or disclosed without written consent. E & OE



Not to Scale	Drawn By CC	Sheet No. 1/4
--------------	-------------	---------------



Recommended PCB Layout

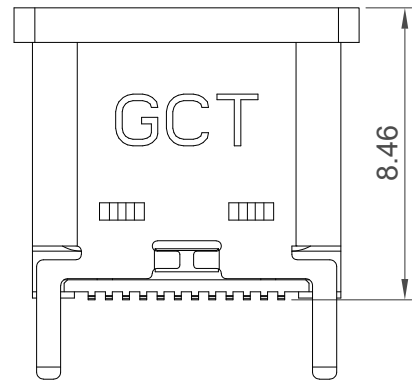
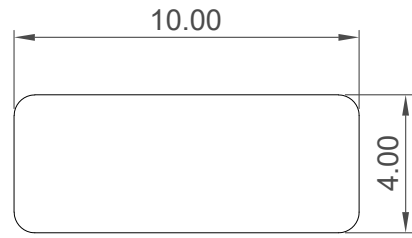
Tolerance: ±0.05mm

Solder Area
 Keep Out Area
 Component Outline

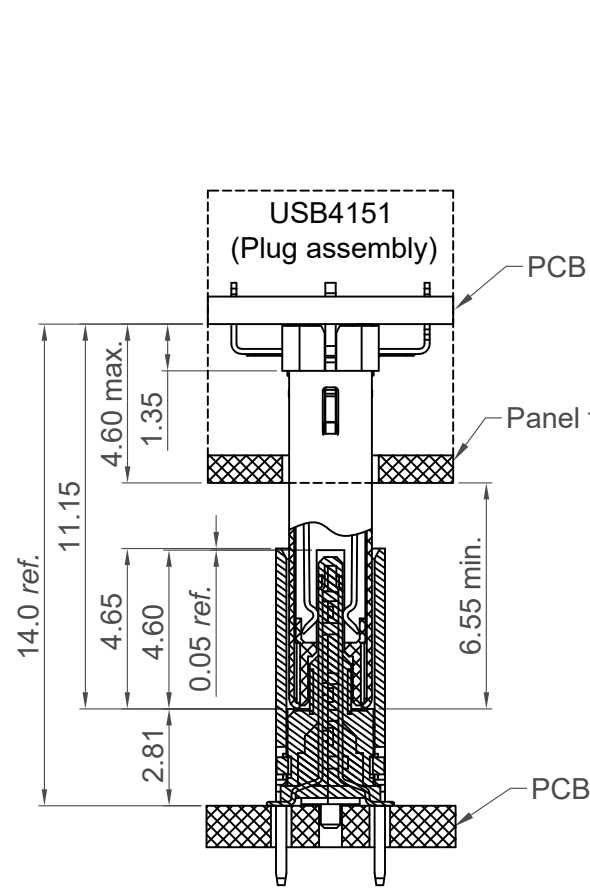
Pin	Signal	Mating Sequence	Pin	Signal	Mating Sequence
A1	GND	First	B12	GND	First
A2	SSTXp1	Second	B11	SSRXp1	Second
A3	SSTXn1	Second	B10	SSRXn1	Second
A4	Vbus	First	B9	Vbus	First
A5	CC1	Second	B8	SBU2	Second
A6	Dp1	Second	B7	Dn2	Second
A7	Dn1	Second	B6	Dp2	Second
A8	SBU1	Second	B5	CC2	Second
A9	Vbus	First	B4	Vbus	First
A10	SSRXn2	Second	B3	SSTXn2	Second
A11	SSRXp2	Second	B2	SSTXp2	Second
A12	GND	First	B1	GND	First
SHELL		GND	SHELL		GND

Part Number		Product Description			
USB4160		USB3.2 Gen2, Type C Receptacle, Vertical, SMT, H=7.46mm, 24 Pin			
Drawing Date		28th June 2022			
By	CC	Tolerances (Except as Noted)		Units:	
Detail	Drawing Release	Length	Angle	Metric (mm)	
Revision	A	X.X ± 0.30	-		
Date	28/06/22	X.XX ± 0.20			
		X.XXX ± 0.10			
		This drawing is confidential and copyright of Global Connector Technology, Ltd (GCT). This drawing must not be copied or disclosed without written consent. E & OE			
		Not to Scale		Drawn By	Sheet No.
				CC	2/4

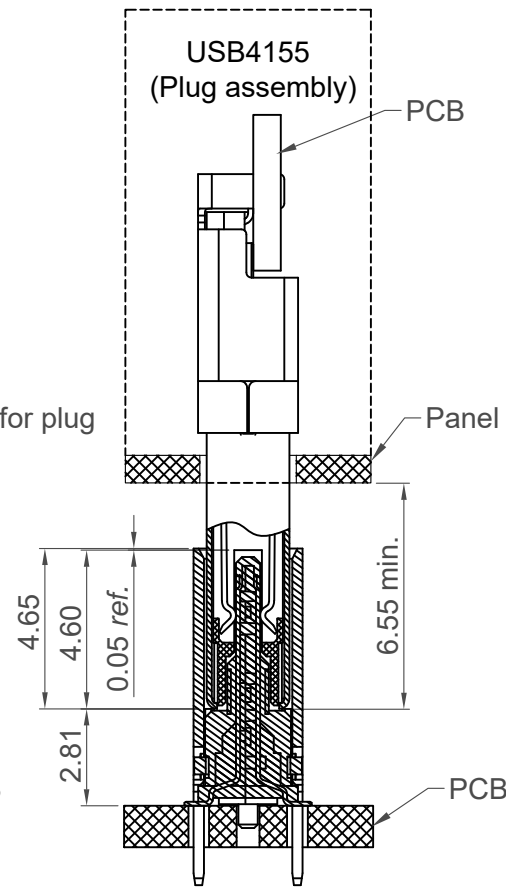




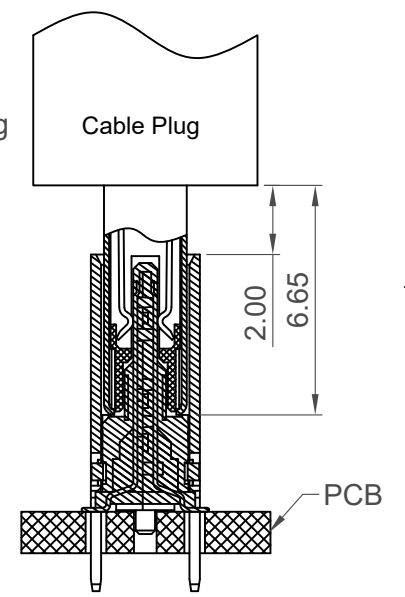
Cap Information



USB4160
(Receptacle assembly)








USB4160
(Receptacle assembly)

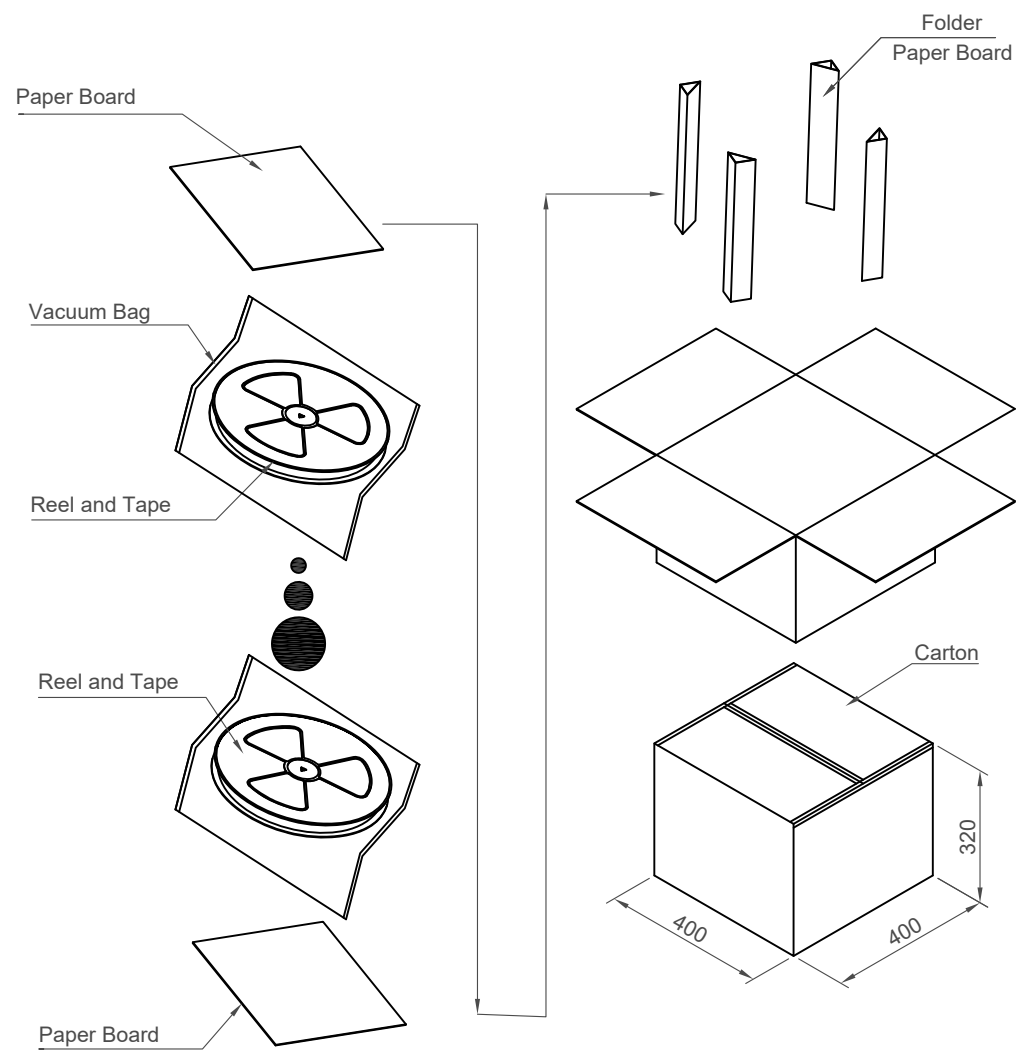
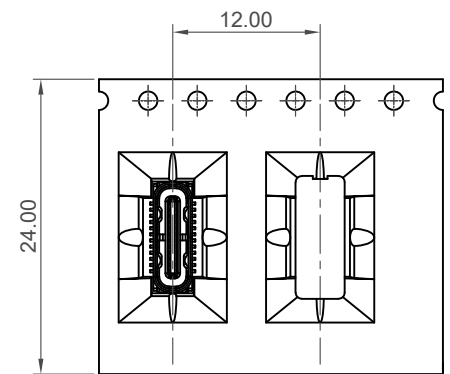
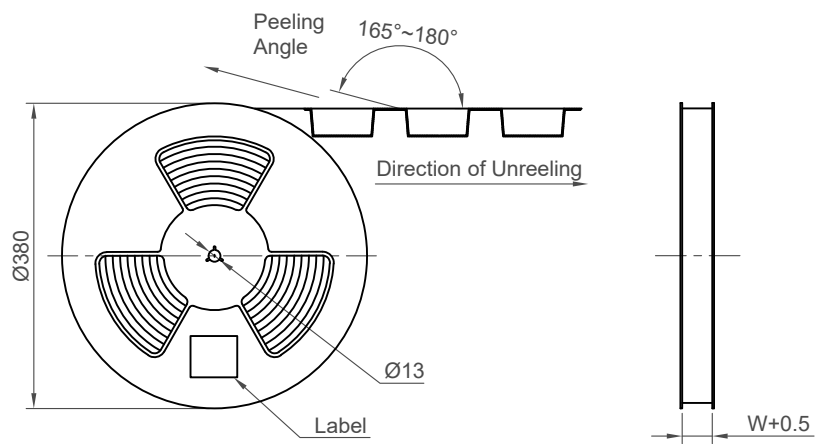
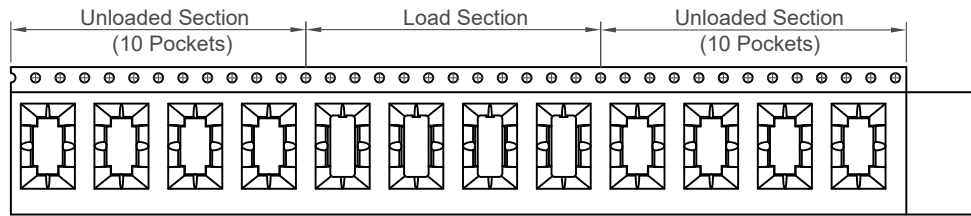


USB4160
(Receptacle assembly)

Plug and Receptacle Mating View

Part Number		Product Description		 www.gct.co
USB4160		USB3.2 Gen2, Type C Receptacle, Vertical, SMT, H=7.46mm, 24 Pin		
Drawing Date				
28th June 2022				
By	CC	Tolerances (Except as Noted)	Units:	  This drawing is confidential and copyright of Global Connector Technology, Ltd (GCT). This drawing must not be copied or disclosed without written consent. E & OE
Detail	Drawing Release	Length	Metric (mm)	
Revision	A	Angle		
Date	28/06/22	X.X ± 0.30		
		X.XX ± 0.20		
		X.XXX ± 0.10		
				
				Not to Scale Drawn By CC
				Sheet No. 3/4

H
G
F
E
D
C
B
A



Part Number	Pcs / Reel	Reels / Carton	Total Quantity
USB4160-03-0070-C	700	10	7,000 pcs
USB4160-03-0170-C	500	10	5,000 pcs
USB4160-03-0230-C	500	10	5,000 pcs

Part Number		Product Description	
USB4160		USB3.2 Gen2, Type C Receptacle, Vertical, SMT, H=7.46mm, 24 Pin	
Drawing Date		28th June 2022	
By	CC	Tolerances (Except as Noted)	Units:
Detail	Drawing Release	Length X.X ± 0.30	Metric (mm)
Revision	A	Angle X.XX ± 0.20	 3rd Angle Projection
Date	28/06/22	X.XXX ± 0.10	



This drawing is confidential and copyright of Global Connector Technology, Ltd (GCT). This drawing must not be copied or disclosed without written consent. E & OE



Not to Scale	Drawn By CC	Sheet No. 4/4
--------------	----------------	------------------

1 2 3 4 5 6 7 8

X-ON Electronics

Largest Supplier of Electrical and Electronic Components

Click to view similar products for [USB Connectors](#) category:

Click to view products by [GCT](#) manufacturer:

Other Similar products are found below :

[950](#) [A-USB A-LP-SMT-C](#) [A-USB B-TOP-C](#) [MUSBA511N5](#) [MUSBD11135](#) [217450-1](#) [KMBVX-TH-5S-B30](#) [896-30-004-00-000000](#)
[KUSBX-AS2N-W](#) [KUSBX-SMT2AP1S-W30](#) [935](#) [957](#) [30-498-6](#) [SK-60A-2](#) [1734082-1](#) [CIR08AF-20-27S-F80-20](#) [CIR08F-20](#) [30-1574](#) [30-470](#) [30-489](#) [30-541](#) [30-572-3](#) [A-USB A-2P-C](#) [MIKROE-1451](#) [USBFTV2PEM2G](#) [USBFTVC6ZN](#) [USBFTVSCCG](#) [4689-1](#) [1-1734084-2](#)
[CIR08F-20-27P-F80-VO](#) [USBF21ZNSCC](#) [USBBFTV6ZC](#) [MUSBB151341](#) [10135326-001LF](#) [M9177/3-1](#) [USB-A-S-F-B-VT](#) [925](#) [4198](#) [690-024-633-031](#) [UB-20PMFP-LC7001](#) [USBFTVC6MRG](#) [UA-20BMFA-SL8001](#) [17-200011](#) [USBFTVC7ZC](#) [UB-20AFMM-LL7A01](#)
[USBFTVC2MN](#) [CAP-WCCMLPB1](#) [CAP-WCCMLPC1](#) [2041386-1](#) [2274475-3](#)